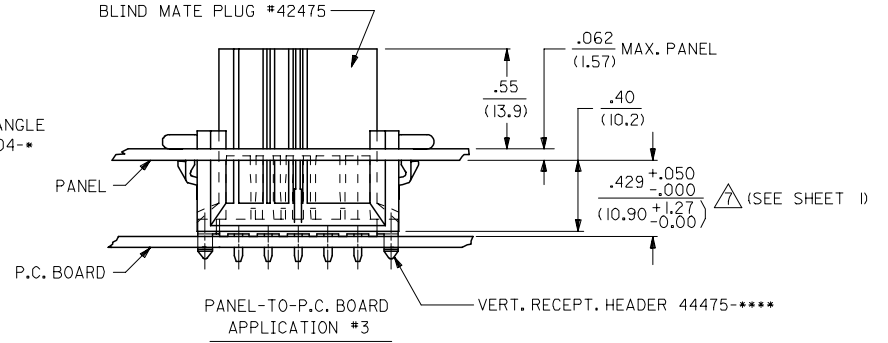
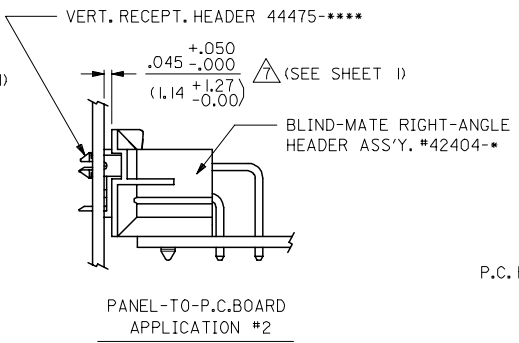
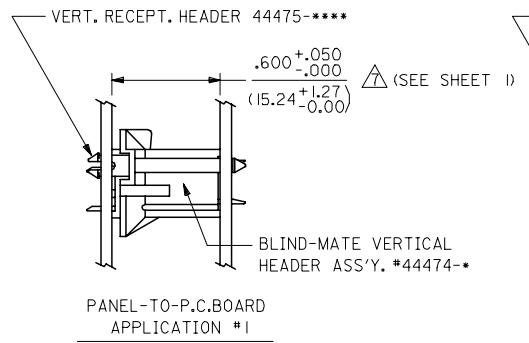
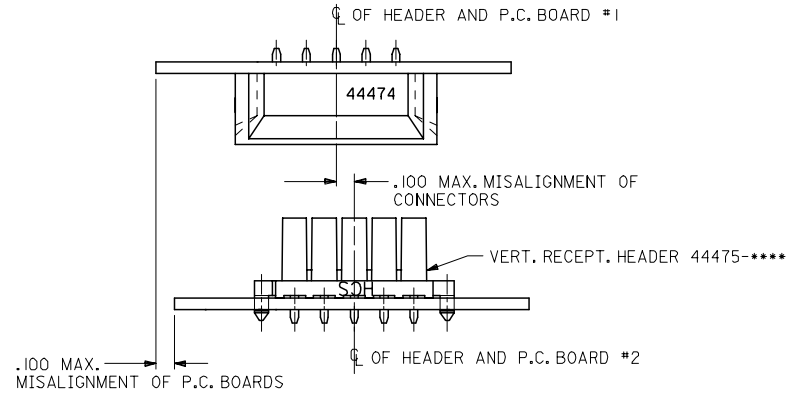


CIRCUIT SIZE	DIM. "A"	DIM. "B"	DIM. "C"
2	—	.21 (5.4)	.370 (9.40)
4	.165 (4.20)	.38 (9.6)	.535 (13.60)
6	.331 (8.40)	.54 (13.8)	.701 (17.80)
8	.496 (12.60)	.71 (18.0)	.866 (22.00)
10	.661 (16.80)	.87 (22.2)	1.031 (26.20)
12	.827 (21.00)	1.04 (26.4)	1.197 (30.40)
14	.992 (25.20)	1.20 (30.6)	1.362 (34.60)
16	1.157 (29.40)	1.37 (34.8)	1.528 (38.80)
18	1.323 (33.60)	1.54 (39.0)	1.693 (43.00)
20	1.488 (37.80)	1.70 (43.2)	1.858 (47.20)
22	1.654 (42.00)	1.87 (47.4)	2.024 (51.40)
24	1.819 (46.20)	2.03 (51.6)	2.189 (55.60)

3	A4
2	C1
1	C2
SHEET REV	

ADDED NOTE 16 EC NO: UCP2009-0054 DRWN: GAVERILL 2008/07/21 CHKD: JBELL 2008/07/21 APPR: FSMITH 2008/07/28	QUALITY SYMBOLS	GENERAL TOLERANCES (UNLESS SPECIFIED) mm INCH 4 PLACES ± --- ± --- 3 PLACES ± --- ± .010 2 PLACES ± 0.25 ± .015 1 PLACE ± 0.38 ± --- ANGULAR ± 5 °	DIMENSION STYLE IN/MM DRAWN BY DATE GEP 1994/08/10 CHECKED BY DATE R/JF 1994/08/10 APPROVED BY DATE R/JF 1994/08/10	TITLE VERT HEADER RECEPT ASSY BLIND MATE MINI-FIT HCS SERIES
	DESCRIPTION C2 REV			

DRAFT WHERE APPLICABLE MUST REMAIN WITHIN DIMENSIONS	THIS DRAWING CONTAINS INFORMATION THAT IS PROPRIETARY TO MOLEX INCORPORATED AND SHOULD NOT BE USED WITHOUT WRITTEN PERMISSION
--	--



SEE NOTE 15

SEE SHEET 1 FC NO: UCP2006-2258 DRWN:ADRAINOL 2006/04/11 CHKD:GOLGAR 2006/04/11 APPR:ICOMERCJ 2006/04/12 C1	QUALITY SYMBOLS ▽=0 ▽=0	GENERAL TOLERANCES (UNLESS SPECIFIED)		DIMENSION STYLE IN/MM		SCALE 4:1	DESIGN UNITS METRIC	THIRD ANGLE PROJECTION	
		4 PLACES ± --- ± ---	3 PLACES ± --- ± .015	DRAWN BY GEP	DATE 1994/08/10	TITLE VERT HEADER RECEPT ASSY BLIND MATE MINI-FIT HCS SERIES			
		2 PLACES ± 0.38 ± ---	1 PLACE ± --- ± ---	CHECKED BY RJF	DATE 1994/08/10	MOLEX MOLEX INCORPORATED			
		ANGULAR ±1/2°		APPROVED BY RJF	DATE 1994/08/10	MATERIAL NO. SEE SHEET 3		DOCUMENT NO. SDA-44475-****	SHEET NO. 2 OF 3
DRAFT WHERE APPLICABLE MUST REMAIN WITHIN DIMENSIONS				THIS DRAWING CONTAINS INFORMATION THAT IS PROPRIETARY TO MOLEX INCORPORATED AND SHOULD NOT BE USED WITHOUT WRITTEN PERMISSION					

	13	12	11	10	9	8	7	6	44475	4	3	2	1
	ITEM NUMBER	CKT. SIZE	HOUSING MATERIAL	PLATING (SEE NOTE 2)	ITEM NUMBER	CKT. SIZE	HOUSING MATERIAL	PLATING (SEE NOTE 2)					
J	X 44475-0211	2	94V-2	I	X 44475-0222	2	94V-0	2					
	↑ -0411	4	↑	↑	X ↑ -0422	4	↑	↑					
	-0611	6			X -0622	6							
I	X -0811	8			X -0822	8							
	-1011	10			X -1022	10							
	X -1211	12			X -1222	12							
	-1411	14			X -1422	14							
	X -1611	16			X -1622	16							
H	-1811	18			-1822	18							
	X -2011	20			X -2022	20							
	X ↓ -2211	22	↓	↓	X ↓ -2222	22	↓	↓					

	44475-2411	24	94V-2	I	X 44475-2422	24	94V-0	2					
G	X 44475-0221	2	94V-0	I									
	↑ -0421	4	↑	↑									
	-0621	6											
F	X -0821	8											
	-1021	10											
	X -1221	12											
	-1421	14											
	-1621	16											
E	-1821	18											
	X -2021	20											
	X ↓ -2221	22	↓	↓									
D	44475-2421	24	94V-0	I									

ITEM NO.	CKT. SIZE	HSG. MAT'L.	TERMINAL PLATING REQUIRED AT EACH CIRCUIT LOCATION:																							
			1	2	3	4	5	6	7	8	9	10	11	12	13	14	15	16	17	18	19	20	21	22	23	24
44475-3000	24	94V-0	A	A	-	A	-	A	-	A	-	A	A	A	A	A	-	A	-	A	-	A	-	A	A	A

ITEMS PRECEDED BY "X" ARE NOT AVAILABLE.

DIMENSIONS SHOWN (METRIC) INCH UNLESS OTHERWISE SPECIFIED TOLERANCES: ANGULAR ± 1/2°		▽ = 0	▼ = 0	REVISE ONLY ON CAD SYSTEM
3 PLACE ± --- ± --- 2 PLACE ± -- ± --- 1 PLACE --- ± --		TITLE VERTICAL RECEPTACLE HEADER ASS'Y., B.M.I., MINI-FIT H.C.S. SERIES)		
DRAFT WHERE APPLICABLE MUST REMAIN WITHIN DIMENSIONS		MOLEX INCORPORATED U.S.A. SHEET NO. 3 DATE 8/10/94		
DRWG. BY: GEP APP'D. BY: RJF		PART NO. SDA-44475-**** DRWG. NO. SEE CHART.		
LTR. REVISIONS		THIS DRAWING CONTAINS INFORMATION THAT IS PROPRIETARY TO MOLEX INC. AND SHOULD NOT BE USED WITHOUT WRITTEN PERMISSION		