



Power Inductors—DR0608 Series



These small footprint power inductors are designed for maximum efficiency and lowest cost. They are ideal for noise filtering in power amplifiers, power supplies and speaker crossover networks.

This series is available in a broad range of inductance from 3.3 to 1000 μH with 10% tolerance for all values above 8.2 μH .

Their open construction allows current ratings up to 7.5 Amps with a mere 0.012 Ohms of resistance. They have industry-standard pin spacing of 3.5 mm and a rugged PVC sleeve to completely protect the winding.

Free evaluation samples are available by contacting Coilcraft or ordering them on-line at www.coilcraft.com.

Part number	Inductance ¹ (μH)	DCR max (Ohms)	SRF typ ² (MHz)	Irms (A) ³	
				20°C rise	40°C rise
DR0608-332	3.3 $\pm 20\%$	0.012	40	5.0	7.5
DR0608-472	4.7 $\pm 20\%$	0.018	36	4.6	6.9
DR0608-562	5.6 $\pm 20\%$	0.022	32	4.2	6.3
DR0608-682	6.8 $\pm 20\%$	0.025	30	3.8	5.7
DR0608-822	8.2 $\pm 20\%$	0.028	25	3.4	5.1
DR0608-103	10 $\pm 10\%$	0.035	23	3.0	4.5
DR0608-123	12 $\pm 10\%$	0.045	20	2.8	4.2
DR0608-153	15 $\pm 10\%$	0.052	19	2.7	4.0
DR0608-183	18 $\pm 10\%$	0.065	17	2.5	3.7
DR0608-223	22 $\pm 10\%$	0.078	16	2.3	3.4
DR0608-273	27 $\pm 10\%$	0.086	12	2.2	3.2
DR0608-333	33 $\pm 10\%$	0.12	11	2.0	2.9
DR0608-393	39 $\pm 10\%$	0.13	10	1.8	2.6
DR0608-473	47 $\pm 10\%$	0.16	9.5	1.7	2.4
DR0608-563	56 $\pm 10\%$	0.19	9.0	1.5	2.1
DR0608-683	68 $\pm 10\%$	0.25	9.0	1.3	1.8
DR0608-823	82 $\pm 10\%$	0.28	7.0	1.2	1.6
DR0608-104	100 $\pm 10\%$	0.38	6.5	1.0	1.3
DR0608-124	120 $\pm 10\%$	0.42	6.0	0.94	1.23
DR0608-154	150 $\pm 10\%$	0.50	5.5	0.88	1.15
DR0608-184	180 $\pm 10\%$	0.65	5.0	0.82	1.08
DR0608-224	220 $\pm 10\%$	0.73	4.8	0.76	1.00
DR0608-274	270 $\pm 10\%$	0.96	4.0	0.70	0.93
DR0608-334	330 $\pm 10\%$	1.11	3.7	0.64	0.85
DR0608-394	390 $\pm 10\%$	1.25	3.0	0.58	0.78
DR0608-474	470 $\pm 10\%$	1.60	2.8	0.52	0.70
DR0608-564	560 $\pm 10\%$	1.85	2.5	0.46	0.63
DR0608-684	680 $\pm 10\%$	2.40	2.5	0.40	0.55
DR0608-824	820 $\pm 10\%$	2.70	2.1	0.34	0.48
DR0608-105	1000 $\pm 10\%$	3.00	2.1	0.30	0.40

1. Inductance tested at 100 kHz, 0.1 Vrms, 0 Adc on an Agilent/HP 4284A LCR-meter or equivalent.

2. SRF measured using an Agilent/HP 4191A or equivalent.

3. Average current for specified temperature rise above 25°C ambient.

4. Operating temperature range -40°C to +85°C.

5. Electrical specifications at 25°C.

Coilcraft[®]

Specifications subject to change without notice.

Please check our website for latest information. Document 275-1 Revised 08/17/05

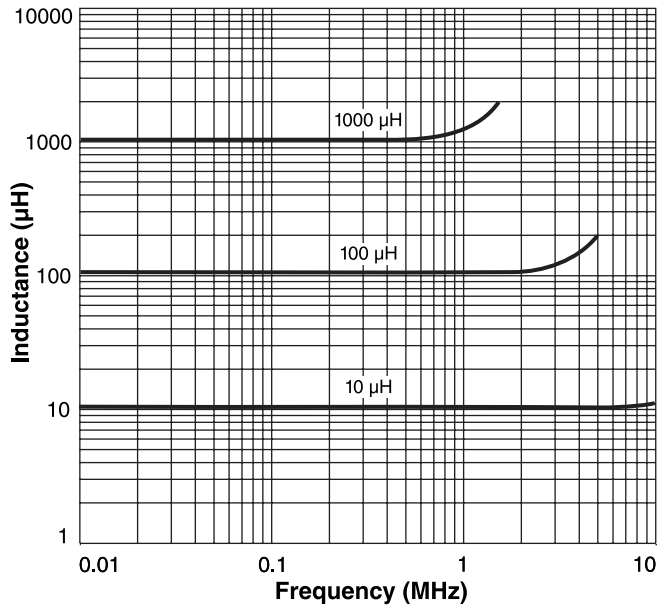
1102 Silver Lake Road Cary, Illinois 60013 Phone 847/639-6400 Fax 847/639-1469

E-mail info@coilcraft.com Web <http://www.coilcraft.com>

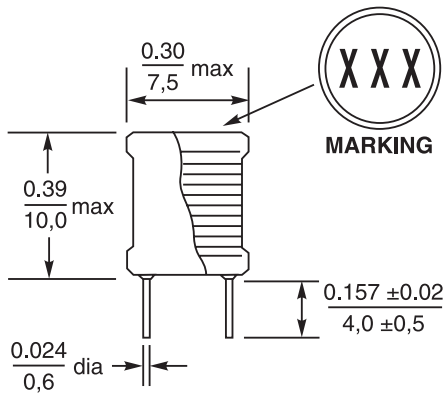
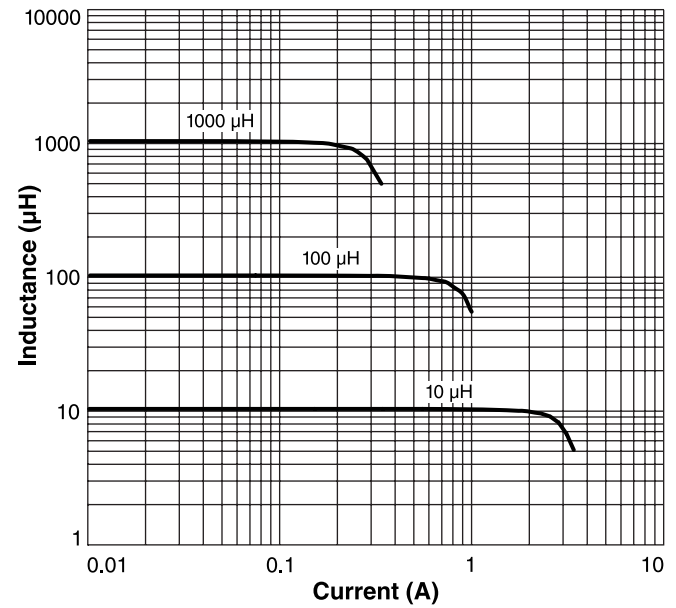


Power Inductors – DR0608 Series

Typical L vs Frequency



Typical L vs Current



Weight: 1.0 – 1.3 g
Packaging: 300 parts per tray
 1200 parts in fan-fold tape



Specifications subject to change without notice.
 Please check our website for latest information. Document 275-2 Revised 08/17/05

1102 Silver Lake Road Cary, Illinois 60013 Phone 847/639-6400 Fax 847/639-1469
 E-mail info@coilcraft.com Web http://www.coilcraft.com