

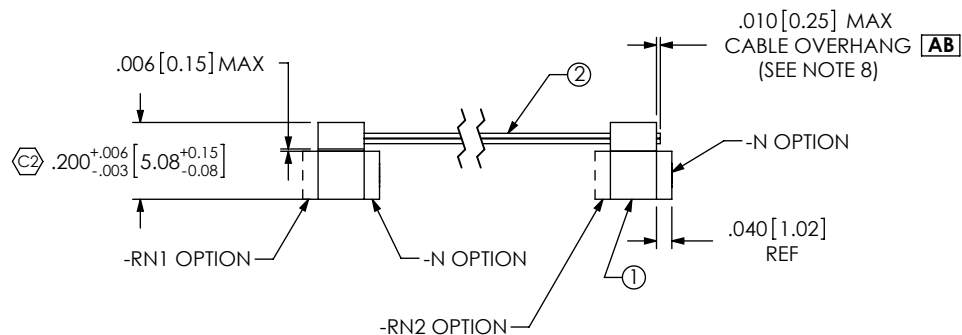
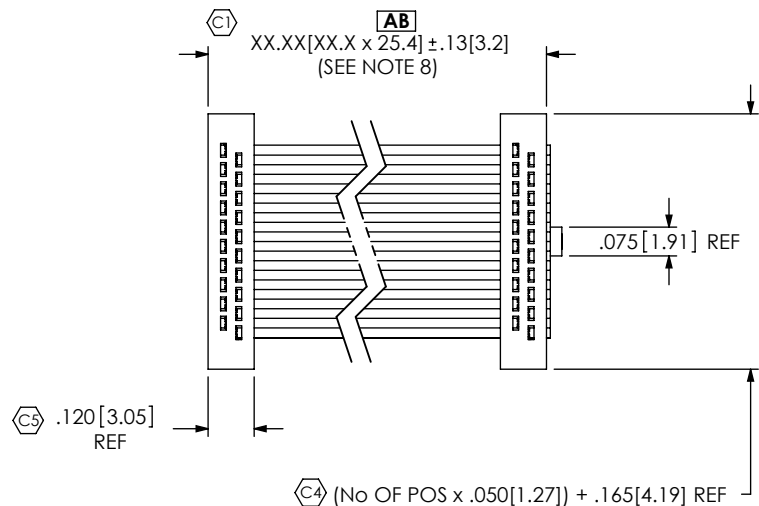
REVISION AB

DO NOT SCALE FROM THIS PRINT

NOTES: **AB**

- HIDDEN LINES ARE USED TO SHOW POLARIZATION WHEN USING -N OPTION.
- ⊙ REPRESENTS A CRITICAL DIMENSION.
- FFSD CABLE ASSEMBLIES ARE LEAD FREE.
- ALL ASSEMBLIES TO BE 100% ELECTRICALLY TESTED FOR SHORTS AND OPENS.
- ALL ASSEMBLIES TO BE 100% HI-POT TESTED AT 630V **C3**
- STRAIN RELIEF TO WITHSTAND 5LB[22N] STRAIGHT PULL.
- ALL SHIELDED CABLES HAVE A GROUND WIRE ON THE FIRST AND LAST POSITION.
- WHEN CUTTING CABLE TO LENGTH, CONDUCTORS MAY NOT EXTEND PAST THE CABLE INSULATION.

FIG. 1
(FFSD-10-D-XX.XX-01-X-N SHOWN)



FFSDX-XX-X-XX.XX-01-X-X-XXX

SHIELDED OPTION

*-S: SHIELDED (SEE NOTE 7)
(LEAVE BLANK FOR NON-SHIELDED)

No OF POSITIONS
-02 THRU -25
(PER ROW)

END ASSEMBLY
-S: SINGLE END
-D: DOUBLE END

ASSEMBLY LENGTH
(2.00[50.8] MINIMUM)

LEAD STYLE

PLATING OPTIONS

- LEAVE BLANK FOR STANDARD, USE C-67-L
-S: USE C-67-S
-F: USE C-67-F

***NOT RELEASED FOR PRODUCTION**

OPTION

- RW: REVERSE WIRING (NOT AVAILABLE WITH -RN1 OR -RN2)
- D"XX": DAISY CHAIN (MINIMUM 2.00[50.8], 1.00[25.4] INCREMENTS)
- R: REVERSED
- RN1: REVERSE POLARIZATION NOTCH (NOT AVAILABLE WITH -RW OR -RN2)
- RN2: REVERSE POLARIZATION NOTCH (NOT AVAILABLE WITH -RW OR -RN1)
- M: MIDDLE REVERSE
- O: OUTSIDE REVERSE
- SR: STRAIN RELIEF (NOT AVAILABLE WITH -O, -M, -R, OR -DXX) (SOLD AS ASSEMBLIES ONLY)
- STANDARD POLARIZATION NOTCH
- N: POLARIZATION NOTCH (NOT AVAILABLE IN -02 THRU -04) (LEAVE BLANK FOR -02, -03, -04)

FIG. 2
(FFSD-10-S-XX.XX-01-X-N SHOWN)
(SAME AS FIG. 1, DIFFERENT AS SHOWN)

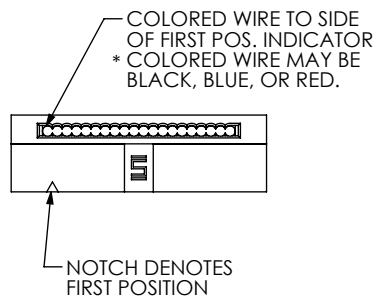
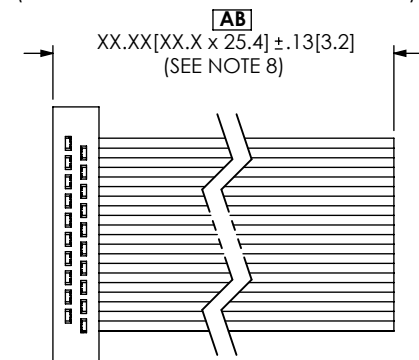
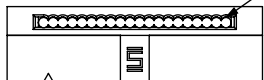


TABLE 1	
ITEM #	PART
1	FFSD-XX-01-X-N-XX
2	CB-XX-30-7/38-025-GR
3	FFSD-XX-01-X-N-SR1
4	FFSR-XX-01
5	FFSD-XX-01-X-N-SR2
6	FFSR-XX-02
7	FFSD-XX-01-X-N-XX-S
8	AMYL1401.XXX
9	CC-3007-SPC

F:\DWG\MISC\MKTG\FFSDX-XX-X-XX.XX-01-X-X-XXX-MKT.SLDDRW

FIG. 11
(FFSD-10-X-XX.XX-01-X-N-RW SHOWN)

COLORED WIRE TO OPPOSITE SIDE OF FIRST POS. INDICATOR



UNLESS OTHERWISE SPECIFIED, DIMENSIONS ARE IN INCHES.
TOLERANCES ARE:
DECIMALS ANGLES
.XX: ±.01 [.3] 2°
.XXX: ±.005 [.13]
.XXXX: ±.0020 [.051]

PROPRIETARY NOTE

THIS DOCUMENT CONTAINS INFORMATION CONFIDENTIAL AND PROPRIETARY TO SAMTEC, INC. AND SHALL NOT BE REPRODUCED OR TRANSFERRED TO OTHER DOCUMENTS OR DISCLOSED TO OTHERS OR USED FOR ANY PURPOSE OTHER THAN THAT WHICH IT WAS OBTAINED WITHOUT THE EXPRESSED WRITTEN CONSENT OF SAMTEC, INC.

samtec

520 PARK EAST BLVD, NEW ALBANY, IN 47150
PHONE: 812-944-6733 FAX: 812-948-5047
e-Mail: info@SAMTEC.com code 55322

MATERIAL: DO NOT SCALE DRAWING SHEET SCALE: 2:1
INSULATORS: PBT, COLOR: BLACK
CONTACT: BeCu
CABLE: TINNED COPPER, COLOR: GRAY
PLATING: .000010 GOLD OVER .000050 NICKEL
REMAINDER: .000200 REF TIN OVER .000050 NICKEL

DESCRIPTION:
.050 x .050 DOUBLE ROW FEMALE IDC ASSEMBLY

DWG. NO.
FFSDX-XX-X-XX.XX-01-X-X-XXX

BY: T NEWTON 02/15/2008 SHEET 1 OF 4

FIG. 4
 (FFSD-10-D-XX.XX-01-X-N-DXX-O SHOWN)
 (SAME AS FIG. 1, DIFFERENT AS SHOWN)
 (2.00[50.8] MINIMUM, 1.00[25.4] INCREMENTS)

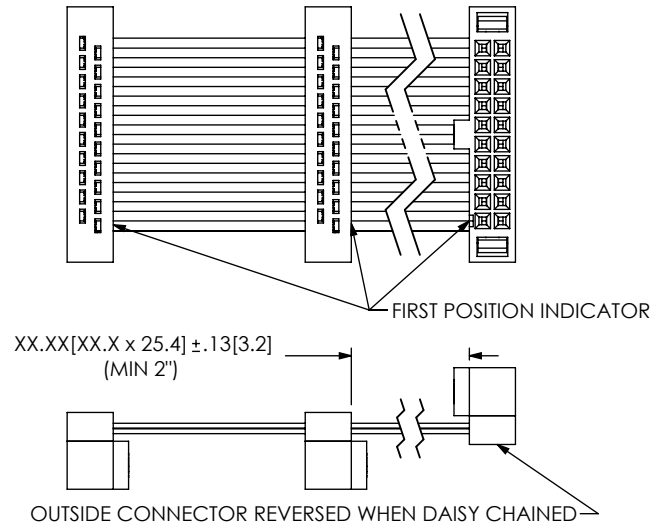


FIG. 5
 (FFSD-10-D-XX.XX-01-X-N-DXX-M SHOWN)
 (SAME AS FIG. 1, DIFFERENT AS SHOWN)
 (2.00[50.8] MINIMUM, 1.00[25.4] INCREMENTS)

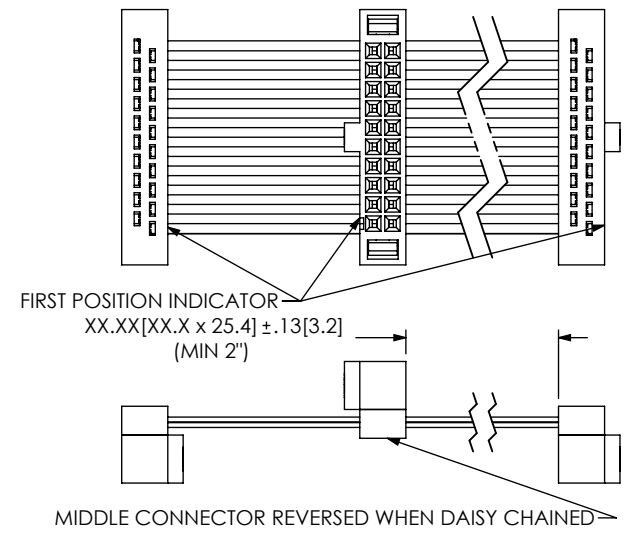
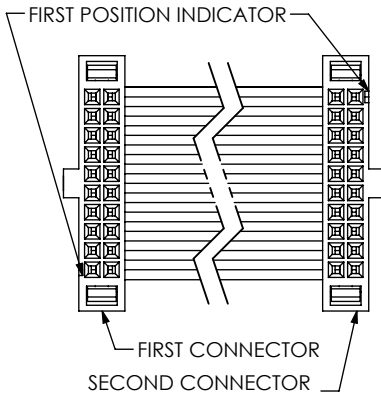
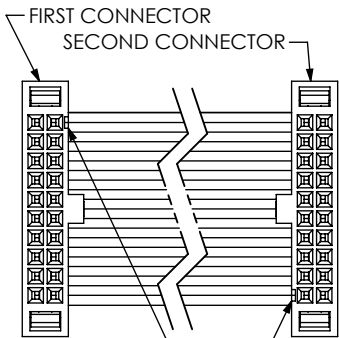


FIG. 3
 (FFSD-10-D-XX.XX-01-X-N-RN1 SHOWN)
 (SAME AS FIG. 1, DIFFERENT AS SHOWN)



(FFSD-10-D-XX.XX-01-X-N-RN2 SHOWN)
 (SAME AS FIG. 1, DIFFERENT AS SHOWN)



NOTE:
 -RN1 = REVERSE NOTCH ON 1ST CONNECTOR ONLY
 (NOT AVAILABLE WITH -R OPTION)
 -RN2 = REVERSE NOTCH ON 2ND CONNECTOR ONLY
 (NOT AVAILABLE WITH -R OPTION)
 (REVERSE NOTCH NOT AVAILABLE WITH -RW OR ANY
 DAISY CHAIN OPTIONS)

FIG. 6
 (FFSD-10-D-XX.XX-01-X-N-DXX-R SHOWN)
 (SAME AS FIG. 1, DIFFERENT AS SHOWN)
 (NOT AVAILABLE WITH -RN1 OR -RN2 OPTION)
 (2.00[50.8] MINIMUM, 1.00[25.4] INCREMENTS)

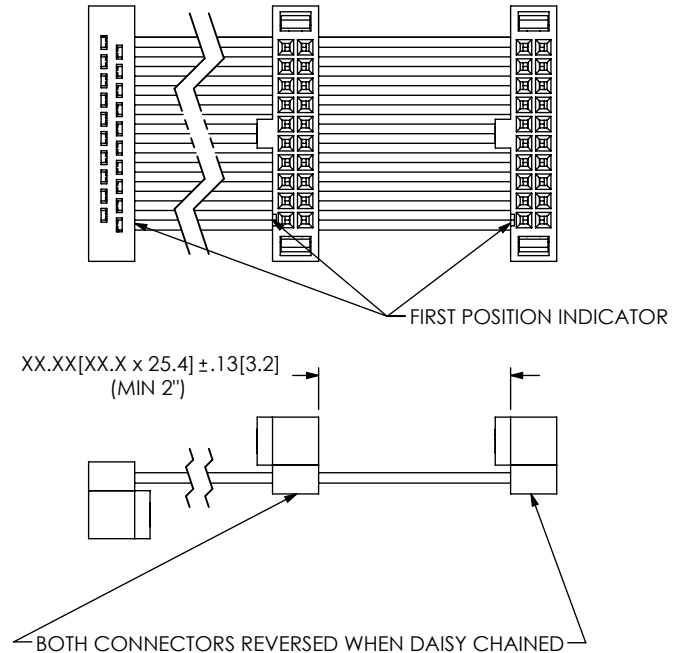
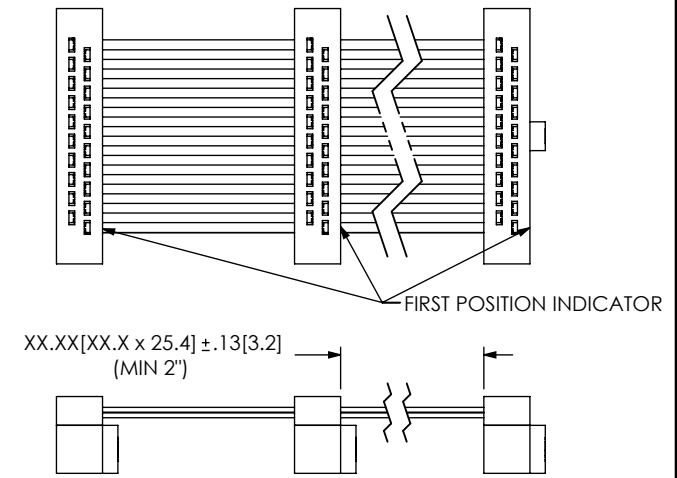


FIG. 7
 (FFSD-10-D-XX.XX-01-X-N-DXX SHOWN)
 (SAME AS FIG. 1, DIFFERENT AS SHOWN)
 (2.00[50.8] MINIMUM, 1.00[25.4] INCREMENTS)



PROPRIETARY NOTE
 THIS DOCUMENT CONTAINS INFORMATION
 CONFIDENTIAL AND PROPRIETARY TO
 SAMTEC, INC. AND SHALL NOT BE REPRODUCED
 OR TRANSFERRED TO OTHER DOCUMENTS OR
 DISCLOSED TO OTHERS OR USED FOR ANY
 PURPOSE OTHER THAN THAT WHICH IT WAS
 OBTAINED WITHOUT THE EXPRESSED WRITTEN
 CONSENT OF SAMTEC, INC.

DO NOT SCALE DRAWING
 SHEET SCALE: 2:1

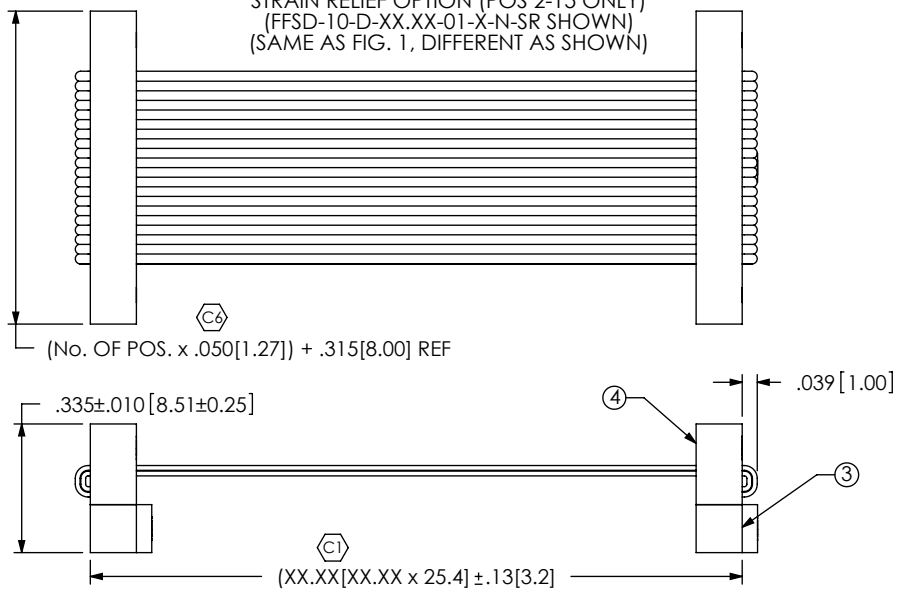


520 PARK EAST BLVD, NEW ALBANY, IN 47150
 PHONE: 812-944-6733 FAX: 812-948-5047
 e-Mail: info@SAMTEC.com code 55322

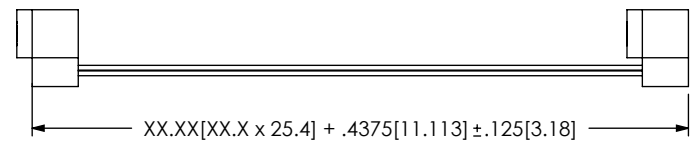
DESCRIPTION:
 .050 x .050 DOUBLE ROW FEMALE IDC ASSEMBLY
 DWG. NO.
FFSDX-XX-X-XX.XX-01-X-X-XXX
 BY: T NEWTON 02/15/2008 SHEET 2 OF 4

FIG. 9

STRAIN RELIEF OPTION (POS 2-15 ONLY)
(FFSD-10-D-XX.XX-01-X-N-SR SHOWN)
(SAME AS FIG. 1, DIFFERENT AS SHOWN)



IN-PROCESS 1
(2-15 POS -SR ONLY)



IN-PROCESS 2
(2-15 POS -SR ONLY)

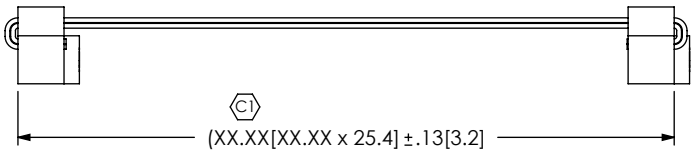
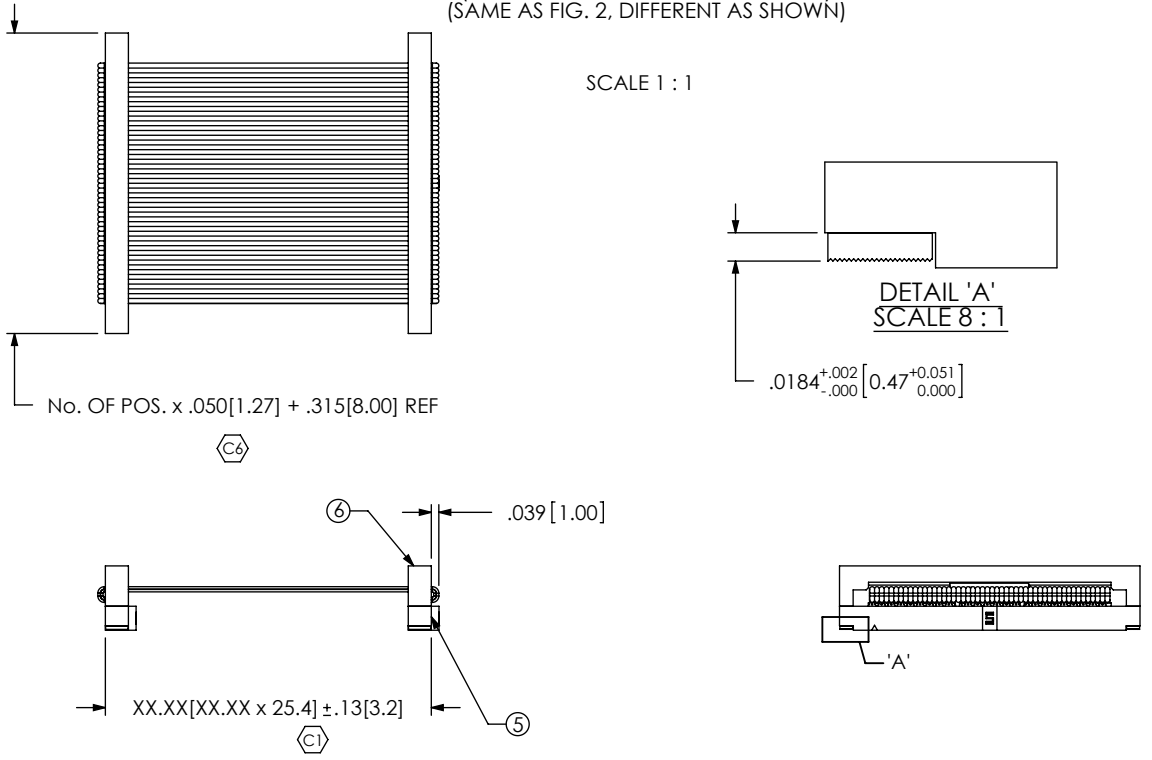


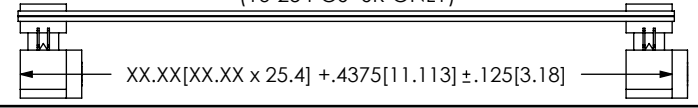
FIG. 10

STRAIN RELIEF OPTION (POS 16-25 ONLY)
(FFSD-25-D-XX.XX-01-X-N-SR SHOWN)
(SAME AS FIG. 2, DIFFERENT AS SHOWN)

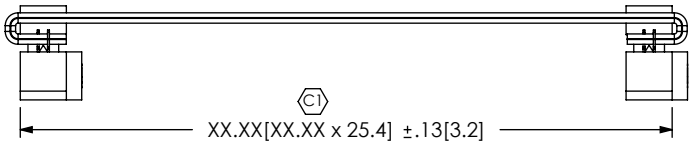
SCALE 1 : 1



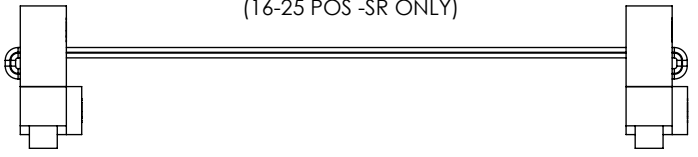
IN-PROCESS 1
(16-25 POS -SR ONLY)



IN-PROCESS 2
(16-25 POS -SR ONLY)



IN-PROCESS 3
(16-25 POS -SR ONLY)



PROPRIETARY NOTE

THIS DOCUMENT CONTAINS INFORMATION CONFIDENTIAL AND PROPRIETARY TO SAMTEC, INC. AND SHALL NOT BE REPRODUCED OR TRANSFERRED TO OTHER DOCUMENTS OR DISCLOSED TO OTHERS OR USED FOR ANY PURPOSE OTHER THAN THAT WHICH IT WAS OBTAINED WITHOUT THE EXPRESSED WRITTEN CONSENT OF SAMTEC, INC.

DO NOT SCALE DRAWING

SHEET SCALE: 2:1



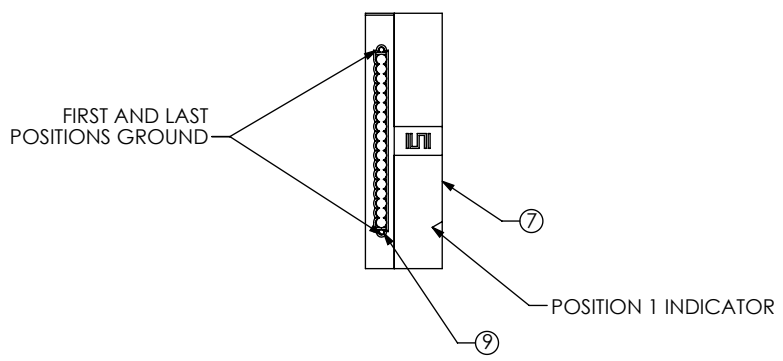
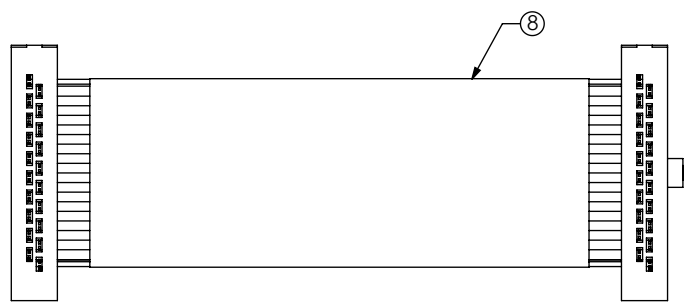
520 PARK EAST BLVD, NEW ALBANY, IN 47150
PHONE: 812-944-6733 FAX: 812-948-5047
e-Mail: info@SAMTEC.com code 55322

DESCRIPTION:
.050 x .050 DOUBLE ROW FEMALE IDC ASSEMBLY

DWG. NO.
FFSDX-XX-X-XX.XX-01-X-X-XXX

BY: T NEWTON 02/15/2008 SHEET 3 OF 4

FIG. 12
 (FFSDS-10-D-XX.XX-0T-X-N SHOWN)
 (SAME AS FIG. 1, DIFFERENT AS SHOWN)
 *NOT RELEASED FOR PRODUCTION



PROPRIETARY NOTE
 THIS DOCUMENT CONTAINS INFORMATION
 CONFIDENTIAL AND PROPRIETARY TO
 SAMTEC, INC. AND SHALL NOT BE REPRODUCED
 OR TRANSFERRED TO OTHER DOCUMENTS OR
 DISCLOSED TO OTHERS OR USED FOR ANY
 PURPOSE OTHER THAN THAT WHICH IT WAS
 OBTAINED WITHOUT THE EXPRESSED WRITTEN
 CONSENT OF SAMTEC, INC.

DO NOT SCALE DRAWING

SHEET SCALE: 2:1



520 PARK EAST BLVD, NEW ALBANY, IN 47150
 PHONE: 812-944-6733 FAX: 812-948-5047
 e-Mail info@SAMTEC.com code 55322

DESCRIPTION:
 .050 x .050 DOUBLE ROW FEMALE IDC ASSEMBLY

DWG. NO.
FFSDX-XX-X-XX.XX-01-X-X-XXX

BY: T NEWTON 02/15/2008 SHEET 4 OF 4