

PLEASE CHECK WWW.MOLEX.COM FOR LATEST PART INFORMATION

Part Number: [0457140002](#)
Status: **Active**
Overview: edge card connectors
Description: 12.90mm (.508") Pitch EXTreme PowerEdge™, Connector, 3 Segments (6 Total Contacts), Press-Fit, Mates to a 1.57mm (.062") Thick Card Edge or Bus Bar Tab

Documents:

[3D Model](#) [Product Specification PS-45719-001 \(PDF\)](#)
[Drawing \(PDF\)](#) [RoHS Certificate of Compliance \(PDF\)](#)

Agency Certification

CSA LR19980
TUV R72090228

General

Product Family Edge Card Connectors
Series [45714](#)
Component Type Edgecard to PCB
MolexKits Yes
Overview [edge card connectors](#)
Product Name Bus Bar Socket, EXTreme PowerEdge™

Physical

Circuits (Loaded) 6
Circuits (maximum) 6
Circuits Detail All Power
Color - Resin Black
Durability (mating cycles max) 200
Entry Angle Vertical (Top Entry)
Flammability 94V-0
Keying to Mating Part N/A
Material - Metal High Performance Alloy (HPA)
Material - Plating Mating Gold
Material - Plating Termination Tin
Material - Resin High Temperature Thermoplastic
PC Tail Length (in) 0.177 In
PC Tail Length (mm) 4.50 mm
PCB Thickness Recommended (in) 0.093 In
PCB Thickness Recommended (mm) 2.40 mm
Packaging Type Tray
Pitch - Mating Interface (in) 0.508 In
Pitch - Mating Interface (mm) 12.90 mm
Plating min: Mating (µin) 30
Plating min: Mating (µm) 0.75
Plating min: Termination (µin) 150
Plating min: Termination (µm) 3.75
Temperature Range - Operating -40°C to +105°C
Termination Interface: Style Through Hole - Compliant Pin

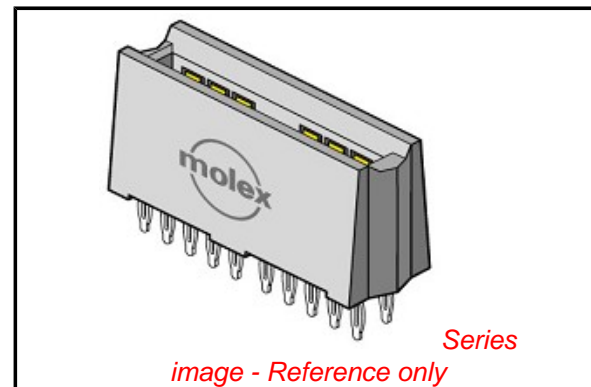
Electrical

Current - Maximum per Contact 40A
Voltage - Maximum 250V

Material Info

Reference - Drawing Numbers

Packaging Specification PK-45714-001



EU RoHS

ELV and RoHS Compliant
REACH SVHC
Not Reviewed
Halogen-Free Status
Not Reviewed

China RoHS



Need more information on product environmental compliance?

Email productcompliance@molex.com
For a multiple part number RoHS Certificate of Compliance, [click here](#)

Please visit the [Contact Us](#) section for any non-product compliance questions.

Search Parts in this Series

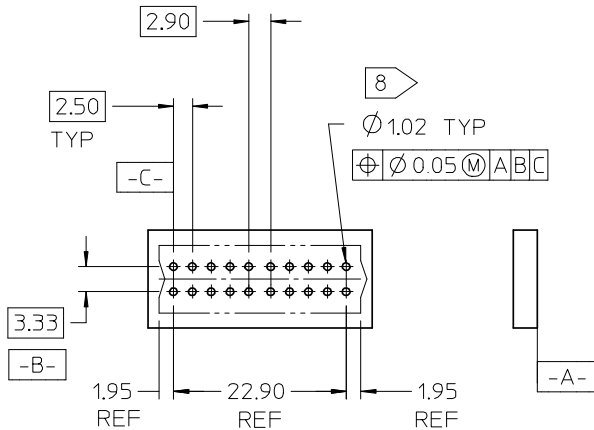
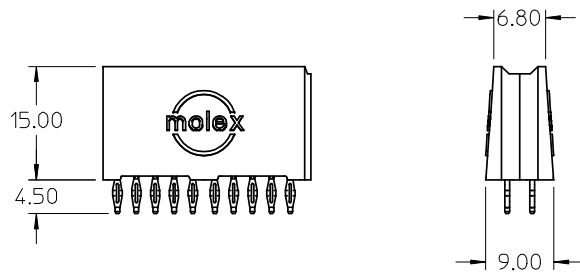
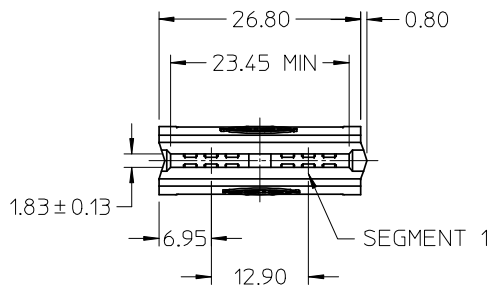
[45714Series](#)

Mates With

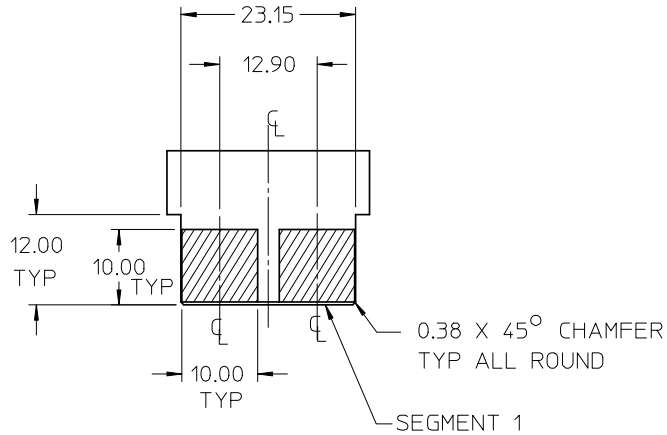
1.58mm (.062") double sided card edge or bus bar tab

This document was generated on 06/04/2010

PLEASE CHECK WWW.MOLEX.COM FOR LATEST PART INFORMATION



PCB LAYOUT: COMPONENT SIDE

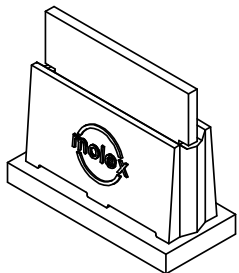


RECOMMENDED EDGE CARD LAYOUT
TOLERANCE: ±0.05

NOTES:

- HOUSING MATL: LCP, UL94V-0, COLOR BLACK
TERMINAL MATL: COPPER ALLOY
- FINISH: SELECT GOLD: 30 M.I. MIN IN CONTACT AREA
SELECT TIN: 150 M.I. MIN IN SOLDER AREA
OVERALL NICKEL UNDERPLATE.
- PRODUCT SPECIFICATION: PS-45719-001.
- PACKAGING SPECIFICATION: PK-45714-001.
- PCB THICKNESS: 2.36 MIN
- EDGE CARD THICKNESS: 1.57±0.15
- DIMENSIONS GIVEN ACROSS CENTERLINES ARE SYMMETRICAL ABOUT THOSE CENTERLINES WITHIN HALF TOTAL TOLERANCE.
- PCB HOLE SPECIFICATION: SEE PS-45719-001
- VOIDED SEGMENTS DO NOT HAVE TERMINALS IN THE TOP OR BOTTOM ROW

MATERIAL NUMBER	VOIDED SEGMENT
45714-0001	NONE
45714-2001	1
45714-2002	2

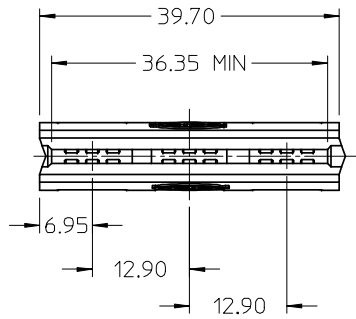


EC NO: UCP2008-2498	DRWN: JSCHAFFER	2008/04/16	2008/04/22	CHKD: APATEL	2008/04/25
D	REV	DESCRIPTION			

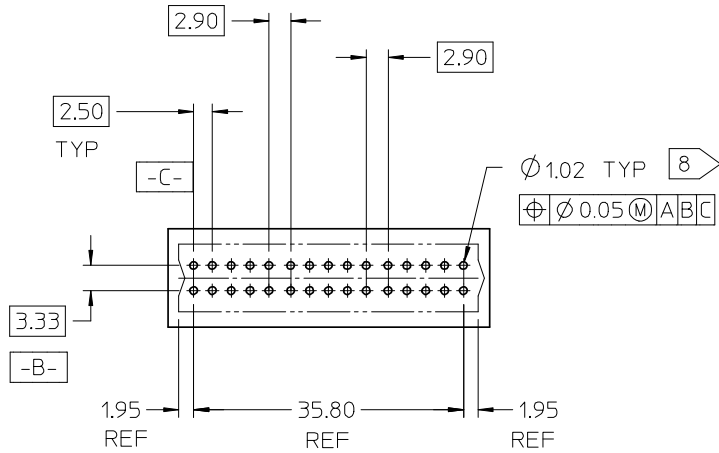
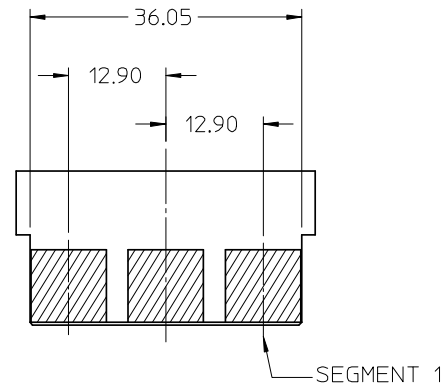
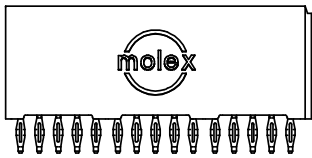
	GENERAL TOLERANCES (UNLESS SPECIFIED)	
	mm	INCH
4 PLACES	± ---	± ---
3 PLACES	± ---	± ---
2 PLACES	± 0.25	± ---
1 PLACE	± 0.25	± ---
ANGULAR ±1/2°		
DRAFT WHERE APPLICABLE MUST REMAIN WITHIN DIMENSIONS		

DIMENSION STYLE	
MM ONLY	
DRAWN BY	DATE
MARGULIS	2003/11/11
CHECKED BY	DATE
MARGULIS	2003/11/11
APPROVED BY	DATE
MARGULIS	2003/11/11
SIZE A	

SCALE	DESIGN UNITS	THIRD ANGLE PROJECTION
1:1	METRIC	
TITLE		
POWER EDGE ASSEMBLY POWER VERTICAL CPI (2 SEGMENT PARTS)		
MOLEX INCORPORATED		
DOCUMENT NO.	SHEET NO.	
SD-45714-001	1 OF 3	
THIS DRAWING CONTAINS INFORMATION THAT IS PROPRIETARY TO MOLEX INCORPORATED AND SHOULD NOT BE USED WITHOUT WRITTEN PERMISSION		



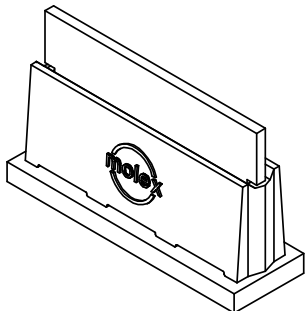
NOTES:
1. FOR ALL OTHER DIMENSIONS AND NOTES SEE SHEET 1.



RECOMMENDED EDGE CARD LAYOUT
EDGE CARD TOLERANCE: ± 0.05

PCB LAYOUT: COMPONENT SIDE

MATERIAL NUMBER	VOIDED SEGMENT
45714-0002	NONE
45714-3001	1
45714-3002	2
45714-3003	3
45714-3004	1,2
45714-3005	1,3
45714-3006	2,3



EC NO: UCP2008-2498	DRWN: JSCHAFER	2008/04/16	DESCRIPTION
	CHKD: APATEL	2008/04/22	
	APPR: APATEL	2008/04/25	
D	REV		

GENERAL TOLERANCES (UNLESS SPECIFIED)		
	mm	INCH
4 PLACES	\pm ---	\pm ---
3 PLACES	\pm ---	\pm ---
2 PLACES	± 0.25	\pm ---
1 PLACE	± 0.25	\pm ---
ANGULAR $\pm 1/2^\circ$		
DRAFT WHERE APPLICABLE MUST REMAIN WITHIN DIMENSIONS		

DIMENSION STYLE	
MM ONLY	
DRAWN BY	DATE
MARGULIS	2003/11/11
CHECKED BY	DATE
MARGULIS	2003/11/11
APPROVED BY	DATE
MARGULIS	2003/11/11
SIZE	A

SCALE	DESIGN UNITS	THIRD ANGLE PROJECTION
1:1	METRIC	
TITLE		
POWER EDGE ASSEMBLY POWER VERTICAL CPI (3 SEGMENT PARTS)		
MOLEX INCORPORATED		
DOCUMENT NO.	SHEET NO.	
SD-45714-001	2	
THIS DRAWING CONTAINS INFORMATION THAT IS PROPRIETARY TO MOLEX INCORPORATED AND SHOULD NOT BE USED WITHOUT WRITTEN PERMISSION		

6

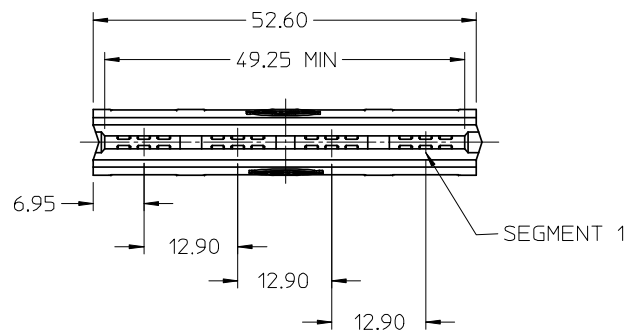
5

4

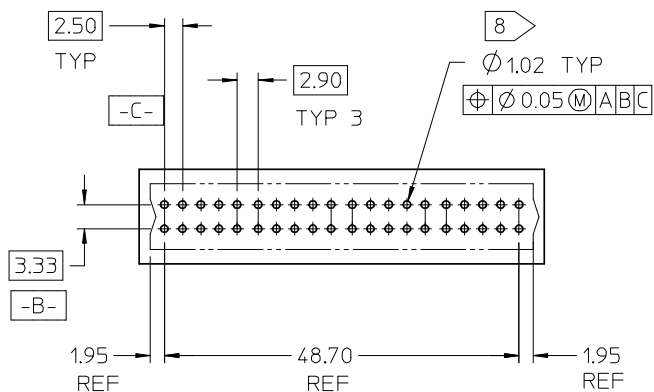
3

2

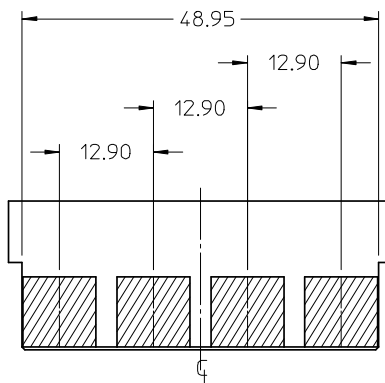
1



NOTES:
1. FOR ALL OTHER DIMENSIONS AND NOTES SEE SHEET 1.

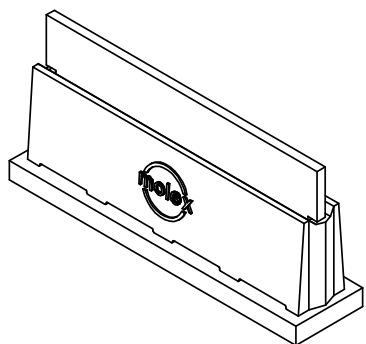


PCB LAYOUT: COMPONENT SIDE



RECOMMENDED EDGE CARD LAYOUT
EDGE CARD TOLERANCE: ±0.05

MATERIAL NUMBER	VOIDED SEGMENT
45714-0003	NONE
45714-4001	1
45714-4002	2
45714-4003	3
45714-4004	4
45714-4005	1,2
45714-4006	1,3
45714-4007	1,4
45714-4008	2,3
45714-4009	2,4
45714-4010	3,4



EC NO: UCP2008-2498 DRWN: JSCHAFFER 2008/04/16 CHKD: 2008/04/22 APPR: APATEL 2008/04/25	DESCRIPTION REV	GENERAL TOLERANCES (UNLESS SPECIFIED)		DIMENSION STYLE MM ONLY		SCALE 1:1	DESIGN UNITS METRIC	THIRD ANGLE PROJECTION		
			mm	INCH	DRAWN BY	DATE	TITLE POWER EDGE ASSEMBLY POWER VERTICAL CPI (4 SEGMENT PARTS)			
		4 PLACES	± ---	± ---	MARGULIS	2003/11/11				
		3 PLACES	± ---	± ---	CHECKED BY	DATE	MOLEX INCORPORATED			
		2 PLACES	± 0.25	± ---	MARGULIS	2003/11/11				
1 PLACE	± 0.25	± ---	APPROVED BY	DATE	DOCUMENT NO.	SHEET NO. 3				
ANGULAR ±1/2°		MARGULIS		2003/11/11	SD-45714-001					
DRAFT WHERE APPLICABLE MUST REMAIN WITHIN DIMENSIONS				SIZE	THIS DRAWING CONTAINS INFORMATION THAT IS PROPRIETARY TO MOLEX INCORPORATED AND SHOULD NOT BE USED WITHOUT WRITTEN PERMISSION					

5

4

3

2

1