

FEATURES AND SPECIFICATIONS

Features and Benefits

- Positive housing locks to mate with Mini-Fit, Jr. receptacles
- Fully isolated terminals to protect contacts from damage
- Mini-Fit, BMI connectors have the capability of being selectively loaded with longer pins for grounding

Reference Information

Product Specification: PS-5556-0002

Packaging: Tray and bag

UL File No.: E29179

CSA File No.: LR19980

TUV License No.: R75142

Mates With: [42385](#), [42474](#) and [5557](#) dual row receptacles

Use With: Standard Mini-Fit terminals

Designed In: Millimeters

Electrical

Voltage: 600V

Current: (Used with 16 AWG)

Circuits	2-3	4-6	7-10	12-24
Amperes-BMI	9	8	7	6

Contact Resistance: 10mΩ max.

Dielectric Withstanding Voltage: 1500V

Insulation Resistance: 1000 MΩ min.

Mechanical

Insertion Force to PCB: 5.0kg max.

Mating Force: 0.7kg (1.54 lb) max.

Unmating Force: 0.35kg (0.7 lb) min.

Normal Force: 200g min.

Durability: 30 cycles

Physical

Housing: 6/6 nylon, UL 94V-2 or 94V-0

Contact: Brass or Phosphor Bronze

Plating: Tin, select Gold or overall Gold

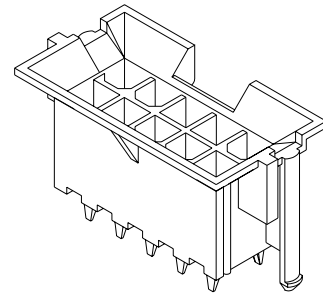
Operating Temperature: -40 to +105°C



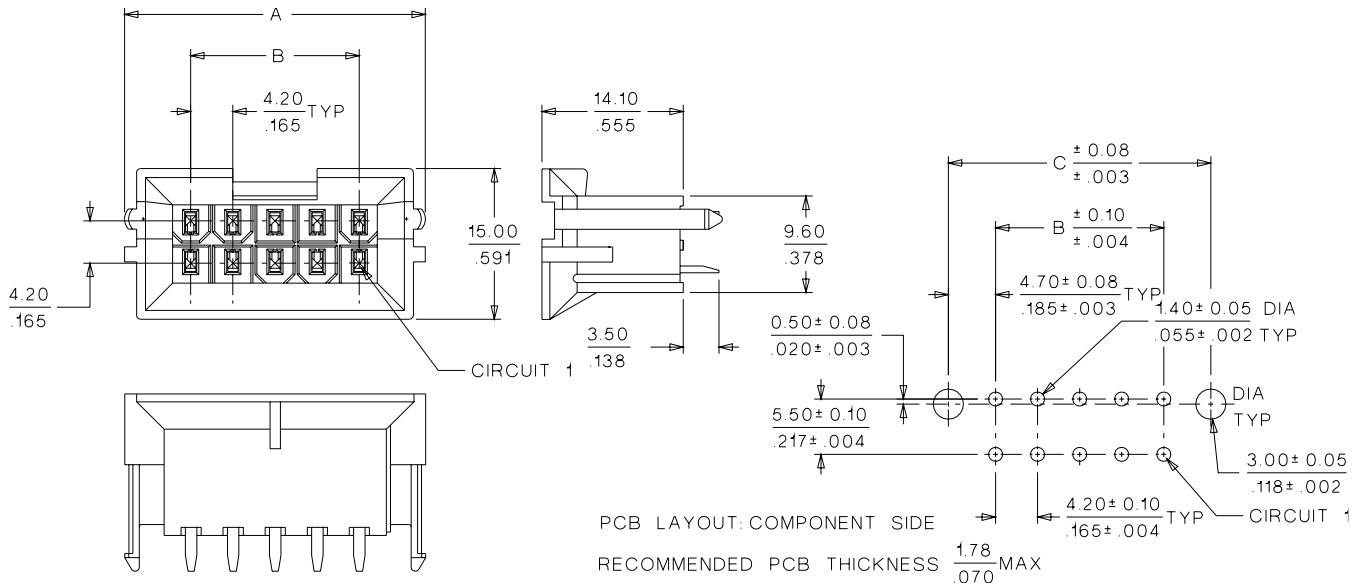
4.20mm (.165") Pitch Mini-Fit, BMI™ Header

42440

Vertical Dual Row



CATALOG DRAWING (FOR REFERENCE ONLY)

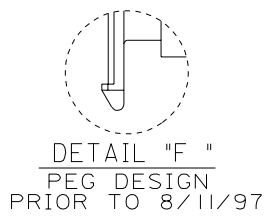
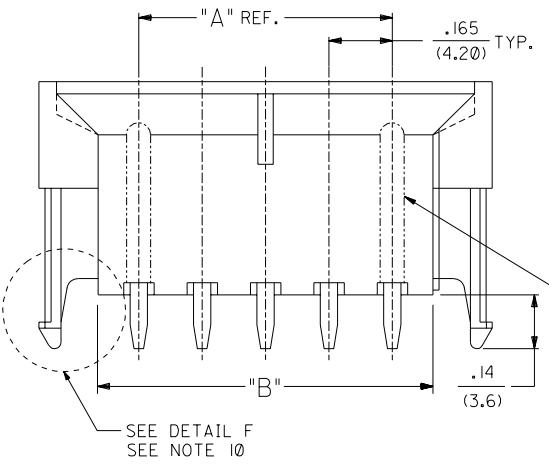
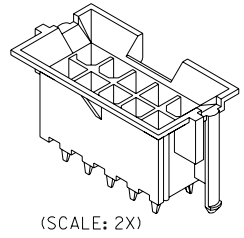
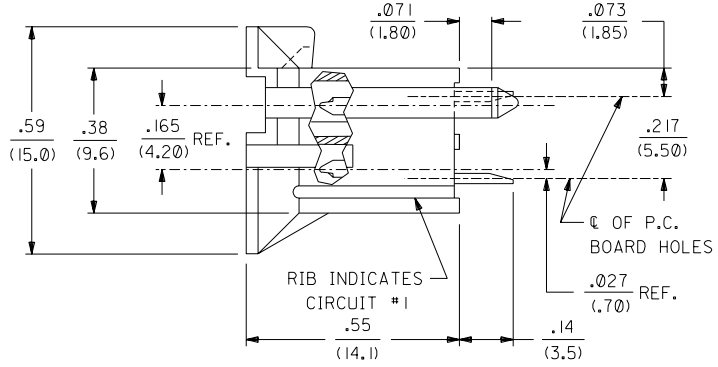
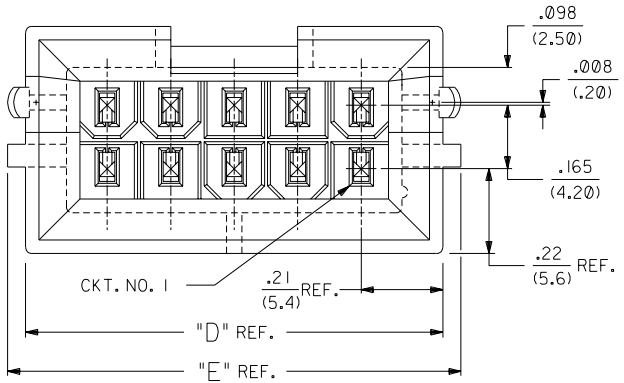


ORDERING INFORMATION AND DIMENSIONS

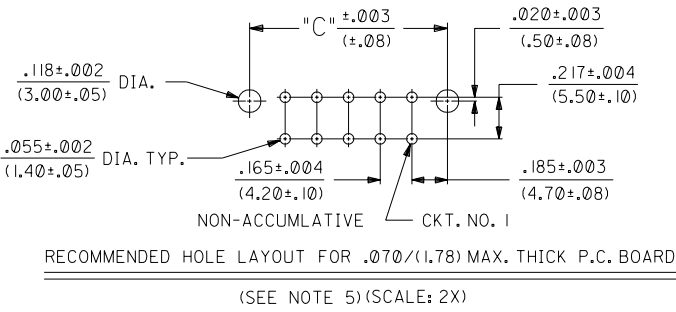
Circuits	With Drain Holes				Dimension		
	Order No.				A	B	C
	Tin Plated		Gold Plated				
4	15-24-6046	15-24-6047	15-28-6046	15-28-6047	17.40 (.685)	4.20 (.170)	13.60 (.535)
6	15-24-6066		15-28-6066		21.60 (.850)	8.40 (.330)	17.80 (.701)
10	15-24-6106	15-24-6107	15-28-6106	15-28-6107	30.00 (1.181)	16.80 (.660)	26.20 (1.031)
14	15-24-6146	15-24-6147	15-28-6146	15-28-6147	38.40 (1.512)	25.20 (.990)	34.60 (1.362)
18	15-24-6186	15-24-6187	15-28-6186	15-28-6187	46.80 (1.843)	33.60 (1.320)	43.00 (1.693)
24	15-24-6246	15-24-6247	15-28-6246	15-28-6247	59.40 (2.339)	46.20 (1.820)	55.60 (2.189)

• US Standard Product, available through Molex franchised distributors

Circuits	Without Drain Holes				Dimension		
	Order No.				A	B	C
	Tin Plated		Gold Plated				
4	15-24-6041	15-24-6042	15-28-6041	15-28-6042	17.40 (.685)	4.20 (.170)	13.60 (.535)
6					21.60 (.850)	8.40 (.330)	17.80 (.701)
10	15-24-6101	15-24-6102	15-28-6101	15-28-6102	30.00 (1.181)	16.80 (.660)	26.20 (1.031)
14	15-24-6141	15-24-6142	15-28-6141	15-28-6142	38.40 (1.512)	25.20 (.990)	34.60 (1.362)
16	15-24-6161		15-28-6161		42.60 (1.677)	29.40 (1.160)	38.80 (1.528)
18	15-24-6181	15-24-6182	15-28-6181	15-28-6182	46.80 (1.843)	33.60 (1.320)	43.00 (1.693)
24	15-24-6241	15-24-6242	15-28-6241	15-28-6242	59.40 (2.339)	46.20 (1.820)	55.60 (2.189)



LEGEND:
 A - 42440 - * * * *
 BASE NUMBER
 CIRCUIT SIZE (02-24)
 PLATING (SEE NOTE 6.)
 HOUSING MAT'L. & OPTIONS (SEE NOTE 1.)



CIRCUIT SIZE	DIM. "A"	DIM. "B"	DIM. "C"	DIM. "D"	DIM. "E"
2	—	.21 (5.4)	.370 (9.40)	.425 (10.80)	.520 (13.20)
4	.17 (4.2)	.38 (9.6)	.535 (13.60)	.590 (15.00)	.685 (17.40)
6	.33 (8.4)	.54 (13.8)	.701 (17.80)	.756 (19.20)	.850 (21.60)
8	.50 (12.6)	.71 (18.0)	.866 (22.00)	.921 (23.40)	1.016 (25.80)
10	.66 (16.8)	.87 (22.2)	1.031 (26.20)	1.087 (27.60)	1.181 (30.00)
12	.83 (21.0)	1.04 (26.4)	1.197 (30.40)	1.252 (31.80)	1.346 (34.20)
14	.99 (25.2)	1.20 (30.6)	1.362 (34.60)	1.417 (36.00)	1.512 (38.40)
16	1.16 (29.4)	1.37 (34.8)	1.528 (38.80)	1.583 (40.20)	1.677 (42.60)
18	1.32 (33.6)	1.54 (39.0)	1.693 (43.00)	1.748 (44.40)	1.843 (46.80)
20	1.49 (37.8)	1.70 (43.2)	1.858 (47.20)	1.913 (48.60)	2.008 (51.00)
22	1.65 (42.0)	1.87 (47.4)	2.024 (51.40)	2.079 (52.80)	2.173 (55.20)
24	1.82 (46.2)	2.03 (51.6)	2.189 (55.60)	2.244 (57.00)	2.339 (59.40)

---22, ---42	42474---2I, 5556-PBGS*P	94V-0	PHOS. BRZ.	GOLD
---12, ---32	42474---1I, 5556-PBGS*P	94V-2		
---22, ---42, ---23, ---43	42474---2I, 5556-GS*P	94V-0	BRASS	GOLD
---12, ---32, ---13, ---33	42474---1I, 5556-GS*P	94V-2		
---2I, ---4I	42474---2I, 5556-PBS*P	94V-0	PHOS. BRZ.	TIN
---1I, ---3I	42474---1I, 5556-PBS*P	94V-2		
---2I, ---4I	42474---2I, 5556-S*P	94V-0	BRASS	TIN
---1I, ---3I	42474---1I, 5556-S*P	94V-2		
---22, ---42	A-42385---D2, ---D4	94V-0	PHOS. BRZ.	GOLD
---12, ---32	A-42385---C2, ---C4	94V-2		
---22, ---42, ---23, ---43	A-42385---B2, ---B4	94V-0	BRASS	GOLD
---12, ---32, ---13, ---33	A-42385---A2, ---A4	94V-2		
---2I, ---4I	A-42385---D1	94V-0	PHOS. BRZ.	TIN
---1I, ---3I	A-42385---C1	94V-2		
---2I, ---4I	A-42385---B1	94V-0	BRASS	TIN
---1I, ---3I	A-42385---A1	94V-2		

VERT. HEADER A-42440	MATING CONNECTOR	HSG. MAT'L.	TERM. MAT'L.	PLATING
				MATING CONNECTOR FEATURES

M1	REV. WORKMANAGER UCP2003-1800 POLGAR 03-02-20
M	REV. PLTG. TIN-LEAD UCP2003-1486 CSTEWARD, 03-01-07
L	REV. PS NOTE UCP2003-0395 9/3/2002 SAMIEC
K5	FINAL REL. -1612 ECN UCP2003-0052 POLGAR 02-7-15
K4	REVISED UCR2002-0776 BANDURA 02/03/15
K3	REVISED UCR2002-0297 BANDURA 01/09/24
K2	REVISED ECN UCP2000-0543 HRIBAR 00/02/21
K1	UPDATE REF FILE UCR1998-0122 SAMIEC 98-4-1

DIMENSIONS SHOWN (METRIC) INCH
 UNLESS OTHERWISE SPECIFIED TOLERANCES: ANGULAR ± .030 50
 3 PLAGE ± .010 ---
 2 PLAGE ± .015 ± 0.25
 1 PLAGE --- ± 0.38
 DRAFT WHERE APPLICABLE MUST REMAIN WITHIN DIMENSIONS
 DRWG. BY: GEP CHK'D BY: RJF
 APP'D BY: RAS SCALE: 4:1
 TITLE: MINI-FIT B.M.I. VERTICAL HEADER ASS'Y. WITH DRAIN HOLE OPTION.
 PART NO. SEE SHT. 4 SDA-42440-***
 FILE NAME: S42440X1.DGN
 SHEET NO. 1 OF 8
 DATE: 04/06/89
 MFG, SH, REV. LTR. REVISIONS
 THIS DRAWING CONTAINS INFORMATION THAT IS PROPRIETARY TO MOLEX INC. AND SHOULD NOT BE USED WITHOUT WRITTEN PERMISSION.

NOTES:

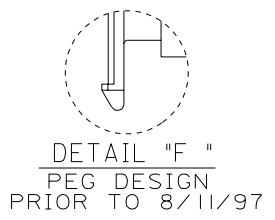
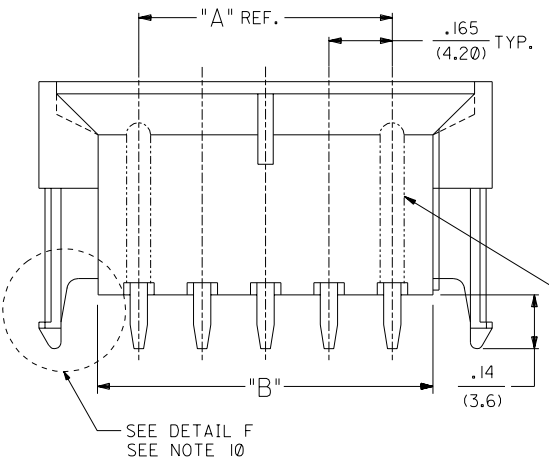
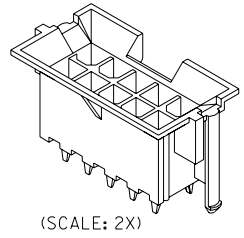
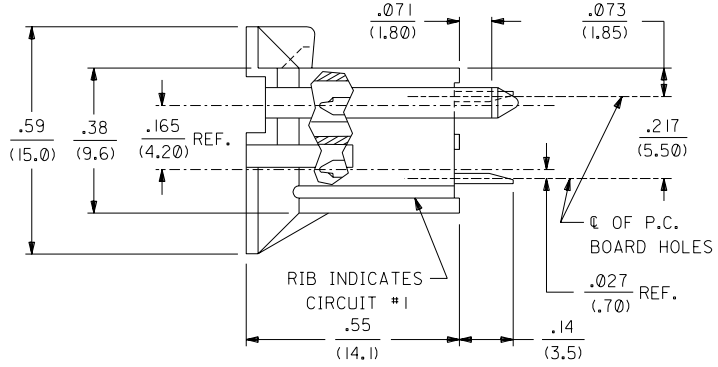
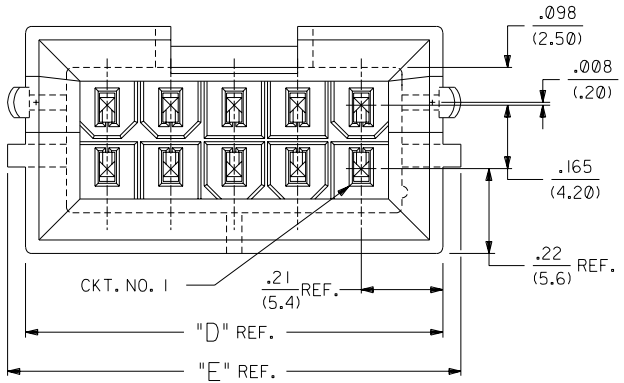
- 1) HOUSING MAT'L. & OPTIONS:
 - 1 = NYLON 6/6, U.L. 94V-2, COLOR: NATURAL, WITHOUT DRAIN HOLES.
 - 2 = NYLON 6/6, U.L. 94V-0, COLOR: NATURAL, WITHOUT DRAIN HOLES.
 - 3 = NYLON 6/6, U.L. 94V-2, COLOR: NATURAL, WITH DRAIN HOLES.
 - 4 = NYLON 6/6, U.L. 94V-0, COLOR: NATURAL, WITH DRAIN HOLES.
- 2) TERMINAL MAT'L.: BRASS, ALLOY 260.
- 3) 6-24 CKT. PARTS MATE WITH MINI-FIT JR. RECEPTACLES #5557 AND HEADERS #42385 AND #42474. 2 & 4 CKT. PARTS MATE WITH HEADERS ONLY.
- 4) PART ALLOWS FOR UP TO .100/(2.54) MISALIGNMENT WITH MATING RECEPTACLE IN ANY DIRECTION. SEE MATING CONNECTOR DRAWINGS FOR SPECIFIC ALLOWANCES.
- 5) PART IS DESIGNED IN METRIC.
- 6) TERMINAL PLATING:
 - 1 = .000100/(.00254) MIN. TIN OVER .000050/(.00127) MIN. NICKEL. (154)
 - 2 = .000030/(.00076) MIN. SELECT GOLD AND .000100/(.00127) MIN. SELECT TIN-LEAD OVER .000050/(.00127) MIN. NICKEL. (537)
 - 3 = .000050/(.00127) MIN. SELECT GOLD AND .000100/(.00127) MIN. SELECT TIN-LEAD OVER .000050/(.00127) MIN. NICKEL. (570)
- 7) PRODUCT SPECIFICATION: PS-5556-002
- 8) CONN. ASSY'S ARE NOT TO BE MATED OR UNMATED WHILE CIRCUITS ARE ALIVE.
- 9) OPTIONAL RIBS MAY BE FOUND ON PARTS MANUFACTURED AFTER 08/11/97.
- 10) PARTS MANUFACTURED AFTER 8/15/97 MAY HAVE REVISED LOCK PEG.

42440

	M	SEE SHEET #1
	L	SEE SHEET #1
	K2	SEE SHEET #1
	J3	SEE SHT. 1
	B	SEE SHT. 1
	A	SEE SHT. 1
LTR.	REVISIONS	LTR. REVISIONS

DIMENSIONS SHOWN (METRIC) INCH	
UNLESS OTHERWISE SPECIFIED TOLERANCES: ANGULAR ± .030	
3 PLACE ± --- ---	INCH
2 PLACE ± --- ± ---	METRIC
1 PLACE --- ± ---	
DRAFT WHERE APPLICABLE MUST REMAIN WITHIN DIMENSIONS	
DRWG. BY: GEP	CHK'D. BY: RJF
APP'D. BY: RAS	SCALE: --:--

▽ = 0	▼ = 0	REVISE ONLY ON CAD SYSTEM
TITLE: MINI-FIT JR. VERT. HEADER ASS'YS., WITH BLIND-MATE AND DRAIN HOLE OPTION		
FROM: MOLEX INCORPORATED, LISLE, ILL. 60532 U.S.A.	SHEET NO. 3	DATE 04/06/89
PART NO. SEE SHT. 4	DRWG. NO. SDA-42440-*****	
FILE NAME: 542440X2.DGN	THIS DRAWING CONTAINS INFORMATION THAT IS PROPRIETARY TO MOLEX INC. AND SHOULD NOT BE USED WITHOUT WRITTEN PERMISSION.	
DIV. CP	SIZE C	



LEGEND:

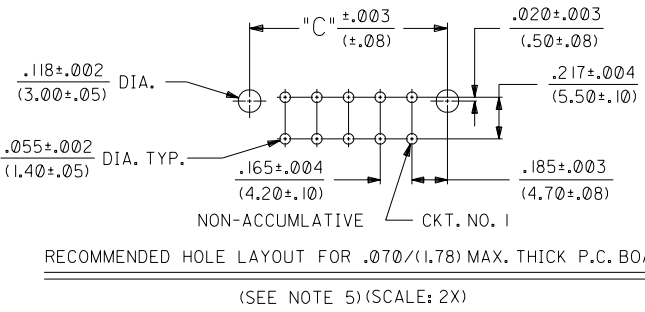
A - 42440 - * * * *

BASE NUMBER

CIRCUIT SIZE (02-24)

PLATING (SEE NOTE 6.)

HOUSING MAT'L. & OPTIONS (SEE NOTE 1.)



CIRCUIT SIZE	DIM. "A"	DIM. "B"	DIM. "C"	DIM. "D"	DIM. "E"
2	—	.21 (5.4)	.370 (9.40)	.425 (10.80)	.520 (13.20)
4	.17 (4.2)	.38 (9.6)	.535 (13.60)	.590 (15.00)	.685 (17.40)
6	.33 (8.4)	.54 (13.8)	.701 (17.80)	.756 (19.20)	.850 (21.60)
8	.50 (12.6)	.71 (18.0)	.866 (22.00)	.921 (23.40)	1.016 (25.80)
10	.66 (16.8)	.87 (22.2)	1.031 (26.20)	1.087 (27.60)	1.181 (30.00)
12	.83 (21.0)	1.04 (26.4)	1.197 (30.40)	1.252 (31.80)	1.346 (34.20)
14	.99 (25.2)	1.20 (30.6)	1.362 (34.60)	1.417 (36.00)	1.512 (38.40)
16	1.16 (29.4)	1.37 (34.8)	1.528 (38.80)	1.583 (40.20)	1.677 (42.60)
18	1.32 (33.6)	1.54 (39.0)	1.693 (43.00)	1.748 (44.40)	1.843 (46.80)
20	1.49 (37.8)	1.70 (43.2)	1.858 (47.20)	1.913 (48.60)	2.008 (51.00)
22	1.65 (42.0)	1.87 (47.4)	2.024 (51.40)	2.079 (52.80)	2.173 (55.20)
24	1.82 (46.2)	2.03 (51.6)	2.189 (55.60)	2.244 (57.00)	2.339 (59.40)

--22, --42	42474--2I, 5556-PBGS*P	94V-0	PHOS. BRZ.	GOLD
--12, --32	42474--1I, 5556-PBGS*P	94V-2		
--22, --42, --23, --43	42474--2I, 5556-GS*P	94V-0	BRASS	GOLD
--12, --32, --13, --33	42474--1I, 5556-GS*P	94V-2		
--2I, --4I	42474--2I, 5556-PBS*P	94V-0	PHOS. BRZ.	TIN
--1I, --3I	42474--1I, 5556-PBS*P	94V-2		
--2I, --4I	42474--2I, 5556-S*P	94V-0	BRASS	TIN
--1I, --3I	42474--1I, 5556-S*P	94V-2		
--22, --42	A-42385--D2, --D4	94V-0	PHOS. BRZ.	GOLD
--12, --32	A-42385--C2, --C4	94V-2		
--22, --42, --23, --43	A-42385--B2, --B4	94V-0	BRASS	GOLD
--12, --32, --13, --33	A-42385--A2, --A4	94V-2		
--2I, --4I	A-42385--D1	94V-0	PHOS. BRZ.	TIN
--1I, --3I	A-42385--C1	94V-2		
--2I, --4I	A-42385--B1	94V-0	BRASS	TIN
--1I, --3I	A-42385--A1	94V-2		

VERT. HEADER A-42440	MATING CONNECTOR	HSG. MAT'L.	TERM. MAT'L.	PLATING
				MATING CONNECTOR FEATURES

REV.	DATE	BY	CHK'D.	APP'D.	REV.	DATE	BY	CHK'D.	APP'D.
9	K2								
8	K2								
7	K2								
6	K2								
5	K2								
4	K5								
3	M								
2	K2								
1	M1								

UNLESS OTHERWISE SPECIFIED TOLERANCES: ANGULAR ± .008

INCH METRIC

3 PLAGE ± .010	---
2 PLAGE ± .015	± 0.25
1 PLAGE ---	± 0.38

DRAFT WHERE APPLICABLE MUST REMAIN WITHIN DIMENSIONS

DRWG. BY: GEP
CHK'D. BY: RJF
APP'D. BY: RAS
SCALE: 4 : 1

TITLE: MINI-FIT B.M.I. VERTICAL HEADER ASS'Y. WITH DRAIN HOLE OPTION.

REVISED UCR2003-0395 9/3/2002 SAMIEC

REVISED ECN UCP2003-0052 POLGAR 02-7-15

REVISED UCR2002-0776 BANDURA 02/03/15

REVISED UCR2002-0297 BANDURA 01/09/24

REVISED ECN UCP2000-0543 HRIBAR 00/02/21

UPDATE REF FILE UCR1998-0122 SAMIEC 98-4-1

MOLEX INCORPORATED
LITSE,ILL. 60532 U.S.A.

SHEET NO. 1 OF 8
DATE 04/06/89

SEE SHT. 4 SDA-42440-***

NOTES:

- 1) HOUSING MAT'L. & OPTIONS:
 - 1 = NYLON 6/6, U.L. 94V-2, COLOR: NATURAL, WITHOUT DRAIN HOLES.
 - 2 = NYLON 6/6, U.L. 94V-0, COLOR: NATURAL, WITHOUT DRAIN HOLES.
 - 3 = NYLON 6/6, U.L. 94V-2, COLOR: NATURAL, WITH DRAIN HOLES.
 - 4 = NYLON 6/6, U.L. 94V-0, COLOR: NATURAL, WITH DRAIN HOLES.
- 2) TERMINAL MAT'L.: BRASS, ALLOY 260.
- 3) 6-24 CKT. PARTS MATE WITH MINI-FIT JR. RECEPTACLES #5557 AND HEADERS #42385 AND #42474. 2 & 4 CKT. PARTS MATE WITH HEADERS ONLY.
- 4) PART ALLOWS FOR UP TO .100/(2.54) MISALIGNMENT WITH MATING RECEPTACLE IN ANY DIRECTION. SEE MATING CONNECTOR DRAWINGS FOR SPECIFIC ALLOWANCES.
- 5) PART IS DESIGNED IN METRIC.
- 6) TERMINAL PLATING:
 - 1 = .000100/(.00254) MIN. TIN OVER .000050/(.00127) MIN. NICKEL. (154)
 - 2 = .000030/(.00076) MIN. SELECT GOLD AND .000100/(.00127) MIN. SELECT TIN-LEAD OVER .000050/(.00127) MIN. NICKEL. (537)
 - 3 = .000050/(.00127) MIN. SELECT GOLD AND .000100/(.00127) MIN. SELECT TIN-LEAD OVER .000050/(.00127) MIN. NICKEL. (570)
- 7) PRODUCT SPECIFICATION: PS-5556-002
- 8) CONN. ASSY'S ARE NOT TO BE MATED OR UNMATED WHILE CIRCUITS ARE ALIVE.
- 9) OPTIONAL RIBS MAY BE FOUND ON PARTS MANUFACTURED AFTER 08/11/97.
- 10) PARTS MANUFACTURED AFTER 8/15/97 MAY HAVE REVISED LOCK PEG.

42440

	M	SEE SHEET #1
	L	SEE SHEET #1
	K2	SEE SHEET #1
	J3	SEE SHT. 1
	B	SEE SHT. 1
	A	SEE SHT. 1
LTR.	REVISIONS	LTR. REVISIONS

DIMENSIONS SHOWN (METRIC) INCH	
UNLESS OTHERWISE SPECIFIED TOLERANCES: ANGULAR ± .030	
3 PLACE ± --- ---	INCH METRIC
2 PLACE ± --- ± ---	
1 PLACE --- ± ---	
DRAFT WHERE APPLICABLE MUST REMAIN WITHIN DIMENSIONS	
DRWG. BY: GEP	CHK'D. BY: RJF
APP'D. BY: RAS	SCALE: --:--

▽ = 0	▼ = 0	REVISE ONLY ON CAD SYSTEM
TITLE: MINI-FIT JR. VERT. HEADER ASS'YS., WITH BLIND-MATE AND DRAIN HOLE OPTION		
FROM: MOLEX INCORPORATED, LISLE, ILL. 60532 U.S.A.	SHEET NO. 3	DATE 04/06/89
PART NO. SEE SHT. 4	DRWG. NO. SDA-42440-*****	
FILE NAME: 542440X2.DGN	THIS DRAWING CONTAINS INFORMATION THAT IS PROPRIETARY TO MOLEX INC. AND SHOULD NOT BE USED WITHOUT WRITTEN PERMISSION.	
DIV. CP	SIZE C	

	13		12		11		10		9		8		7		6	42440		4		3		2		1
J	PLATING:	TIN (SEE NOTE 6)				PLATING:	TIN (SEE NOTE 6)				PLATING:	30 M.I. GOLD (SEE NOTE 6)				PLATING:	30 M.I. GOLD (SEE NOTE 6)							
	DRAINS:	WITHOUT DRAIN HOLES				DRAINS:	WITHOUT DRAIN HOLES				DRAINS:	WITHOUT DRAIN HOLES				DRAINS:	WITHOUT DRAIN HOLES							
	PEGS:	WITH PEGS				PEGS:	WITH PEGS				PEGS:	WITH PEGS				PEGS:	WITH PEGS							
	MAT'L:	94V-2 [NATURAL]				MAT'L:	94V-0 [NATURAL]				MAT'L:	94V-2 [NATURAL]				MAT'L:	94V-0 [NATURAL]							
	PACKAGING:	BULK				PACKAGING:	BULK				PACKAGING:	BULK				PACKAGING:	BULK							
I	PART NO.	ENG NO.			CKTS	PART NO.	ENG NO.			CKTS	PART NO.	ENG NO.			CKTS	PART NO.	ENG NO.			CKTS				
	NO EDP	A-42440-0211	-	-	2	NO EDP	A-42440-0221	-	-	2	NO EDP	A-42440-0212	-	-	2	NO EDP	A-42440-0222	-	-	2				
	15-24-6041	A-42440-0411	-	-	4	15-24-6042	A-42440-0421	-	-	4	15-28-6041	A-42440-0412	-	-	4	15-28-6042	A-42440-0422	-	-	4				
	NO EDP	A-42440-0611	-	-	6	NO EDP	A-42440-0621	-	-	6	NO EDP	A-42440-0612	-	-	6	NO EDP	A-42440-0622	-	-	6				
	NO EDP	A-42440-0811	-	-	8	NO EDP	A-42440-0821	-	-	8	NO EDP	A-42440-0812	-	-	8	NO EDP	A-42440-0822	-	-	8				
	15-24-6101	A-42440-1011	-	-	10	15-24-6102	A-42440-1021	-	-	10	15-28-6101	A-42440-1012	-	-	10	15-28-6102	A-42440-1022	-	-	10				
	NO EDP	A-42440-1211	-	-	12	NO EDP	A-42440-1221	-	-	12	NO EDP	A-42440-1212	-	-	12	NO EDP	A-42440-1222	-	-	12				
	15-24-6141	A-42440-1411	-	-	14	15-24-6142	A-42440-1421	-	-	14	15-28-6141	A-42440-1412	-	-	14	15-28-6142	A-42440-1422	-	-	14				
	NO EDP	A-42440-1611	-	-	16	15-24-6162	A-42440-1621	-	-	16	15-28-6161	A-42440-1612	-	-	16	NO EDP	A-42440-1622	-	-	16				
H	15-24-6181	A-42440-1811	-	-	18	15-24-6182	A-42440-1821	-	-	18	15-28-6181	A-42440-1812	-	-	18	15-28-6182	A-42440-1822	-	-	18				
	NO EDP	A-42440-2011	-	-	20	NO EDP	A-42440-2021	-	-	20	NO EDP	A-42440-2012	-	-	20	NO EDP	A-42440-2022	-	-	20				
	NO EDP	A-42440-2211	-	-	22	NO EDP	A-42440-2221	-	-	22	NO EDP	A-42440-2212	-	-	22	NO EDP	A-42440-2222	-	-	22				
	15-24-6241	A-42440-2411	-	-	24	15-24-6242	A-42440-2421	-	-	24	15-28-6241	A-42440-2412	-	-	24	15-28-6242	A-42440-2422	-	-	24				

		-	-			-	-			-	-			-	-			-	-			-	-
G	PLATING:	TIN (SEE NOTE 6)				PLATING:	TIN (SEE NOTE 6)				PLATING:	30 M.I. GOLD (SEE NOTE 6)				PLATING:	30 M.I. GOLD (SEE NOTE 6)						
	DRAINS:	WITH DRAIN HOLES				DRAINS:	WITH DRAIN HOLES				DRAINS:	WITH DRAIN HOLES				DRAINS:	WITH DRAIN HOLES						
	PEGS:	WITH PEGS				PEGS:	WITH PEGS				PEGS:	WITH PEGS				PEGS:	WITH PEGS						
	MAT'L:	94V-2 [NATURAL]				MAT'L:	94V-0 [NATURAL]				MAT'L:	94V-2 [NATURAL]				MAT'L:	94V-0 [NATURAL]						
	PACKAGING:	BULK				PACKAGING:	BULK				PACKAGING:	BULK				PACKAGING:	BULK						
F	PART NO.	ENG NO.			CKTS	PART NO.	ENG NO.			CKTS	PART NO.	ENG NO.			CKTS	PART NO.	ENG NO.			CKTS			
	NO EDP	A-42440-0231	-	-	2	NO EDP	A-42440-0241	-	-	2	NO EDP	A-42440-0232	-	-	2	NO EDP	A-42440-0242	-	-	2			
	15-24-6046	A-42440-0431	-	-	4	15-24-6047	A-42440-0441	-	-	4	15-28-6046	A-42440-0432	-	-	4	15-28-6047	A-42440-0442	-	-	4			
	15-24-6066	A-42440-0631	-	-	6	NO EDP	A-42440-0641	-	-	6	15-28-6066	A-42440-0632	-	-	6	NO EDP	A-42440-0642	-	-	6			
	NO EDP	A-42440-0831	-	-	8	NO EDP	A-42440-0841	-	-	8	NO EDP	A-42440-0832	-	-	8	NO EDP	A-42440-0842	-	-	8			
	15-24-6106	A-42440-1031	-	-	10	15-24-6107	A-42440-1041	-	-	10	15-28-6106	A-42440-1032	-	-	10	15-28-6107	A-42440-1042	-	-	10			
	NO EDP	A-42440-1231	-	-	12	NO EDP	A-42440-1241	-	-	12	NO EDP	A-42440-1232	-	-	12	NO EDP	A-42440-1242	-	-	12			
E	15-24-6146	A-42440-1431	-	-	14	15-24-6147	A-42440-1441	-	-	14	15-28-6146	A-42440-1432	-	-	14	15-28-6147	A-42440-1442	-	-	14			
	NO EDP	A-42440-1631	-	-	16	NO EDP	A-42440-1641	-	-	16	NO EDP	A-42440-1632	-	-	16	NO EDP	A-42440-1642	-	-	16			
	15-24-6186	A-42440-1831	-	-	18	15-24-6187	A-42440-1841	-	-	18	15-28-6186	A-42440-1832	-	-	18	15-28-6187	A-42440-1842	-	-	18			
	NO EDP	A-42440-2031	-	-	20	NO EDP	A-42440-2041	-	-	20	NO EDP	A-42440-2032	-	-	20	NO EDP	A-42440-2042	-	-	20			
	NO EDP	A-42440-2231	-	-	22	NO EDP	A-42440-2241	-	-	22	NO EDP	A-42440-2232	-	-	22	NO EDP	A-42440-2242	-	-	22			
	15-24-6246	A-42440-2431	-	-	24	15-24-6247	A-42440-2441	-	-	24	15-28-6246	A-42440-2432	-	-	24	15-28-6247	A-42440-2442	-	-	24			

D		-	-			-	-			-	-			-	-			-	-			-	-
C																							
B																							

DIMENSIONS SHOWN (METRIC) INCH UNLESS OTHERWISE SPECIFIED TOLERANCES: ANGULAR ± 1/2°										<input checked="" type="checkbox"/> = 0 <input type="checkbox"/> = 0 REVISE ONLY ON CAD SYSTEM TITLE: MINI-FIT JR. VERT. HEADER ASS'Y. WITH BLIND-MATE AND DRAIN HOLE OPTION FROM: MOLEX INCORPORATED SHEET NO. 4 DATE 3/ 3/95 PART NO. SDA-42440-**** DRWG. NO. 68532 U.S.A. FILE NAME: S42440X3.DGN THIS DRAWING CONTAINS INFORMATION THAT IS PROPRIETARY TO MOLEX INC. AND SHOULD NOT BE USED WITHOUT WRITTEN PERMISSION.									
5 PLACE ± --- ---					INCH					METRIC					DRAFT WHERE APPLICABLE MUST REMAIN WITHIN DIMENSIONS DRWG. BY: GEP CHK'D. BY: RJF APP'D. BY: RJF SCALE: ---:---				
2 PLACE ± --- ± ---															LTR. REVISIONS				
1 PLACE --- ± ---															LTR. REVISIONS				