



AWM620RX-INV

2.4GHz Video/Audio RF Module

22-Oct-04 P1/4

TECHNICAL SPECIFICATION

General:

Operation Frequency Range	2400 ~ 2483MHz
Channel Selection	PLL Synthesizer, 4ch. ⁽¹⁾
Video-Audio Modulation/Demodulation Type	FM-FM
Supply Voltage	DC + 5V
Supply Current	152mA ~ 163mA @-70dBm RF in

Receiver:

Input Signal Level Range	-85~-10dBm
Adjacent Channel Power Rejection	-20dBm, typ. (± 3 dB)
Video	
Output Impedance	75 Ω , typ.
Output Signal Level	1V _{P-P} , typ. (± 0.2 Volt)
Frequency Response	± 5 dB, max. 50Hz~5.5MHz
Differential Gain	$\pm 5\%$, max.
Differential Phase	± 5 Deg., max.
S/N Ratio (100KHz, 1V _{P-P} Sine Wave)	45dB, min.
Video Polarity (Referred to pin12)	Internal Pull-High: Positive Pull-Low: Negative
Audio	
Output Impedance	600 Ω , typ.
Output Frequency Range	50Hz ~ 20KHz
Output Signal Level (Modulation Signal : 50Hz~15KHz Sine Wave)	3V _{P-P} , typ. (± 0.2 Volt)
Harmonic Distortion (THD) (50Hz~15KHz, 0.5V _{P-P} Sine Wave)	1.5%, max.
S/N Ratio (50Hz ~ 15KHz)	50dB, typ. (± 3 dB)
Subcarrier Frequency	6MHz, 6.5MHz
Subcarrier Frequency Accuracy	± 50 KHz
RSSI	
RSSI Output Voltage(RF Input -45~-85dBm)	1.5 ~ 3.3V

AIRWAVE TECHNOLOGIES INC.



AIRWAVE

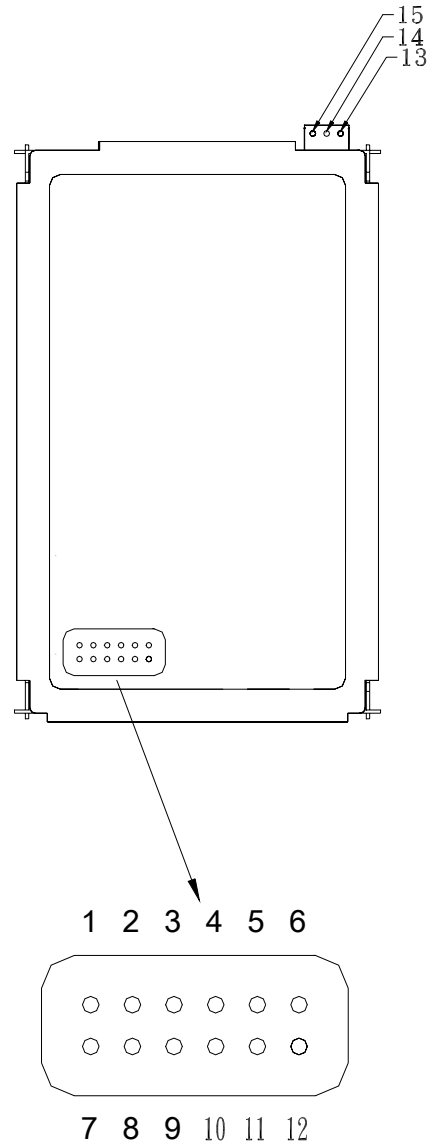
AWM620RX-INV

2.4GHz Video/Audio RF Module

22-Oct-04 P2/4

Pin Description

1	Video
2	5v
3	GND
4	Audio/R
5	Audio/L
6	(LE)
7	RSSI
8	CH1 (Data)
9	CH2
10	CH3
11	CH4 (CLK)
12	Video Control
13	GND
14	ANTENNA
15	GND



AIRWAVE TECHNOLOGIES INC.



AIRWAVE

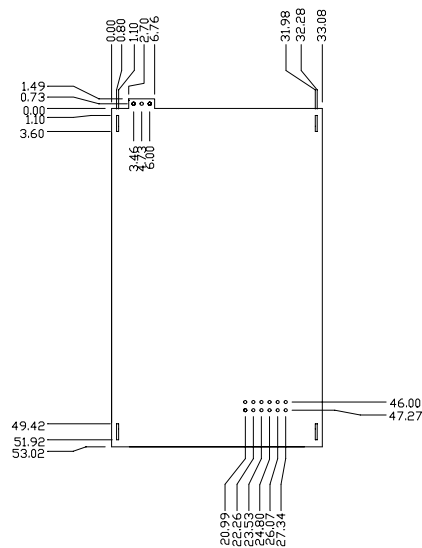
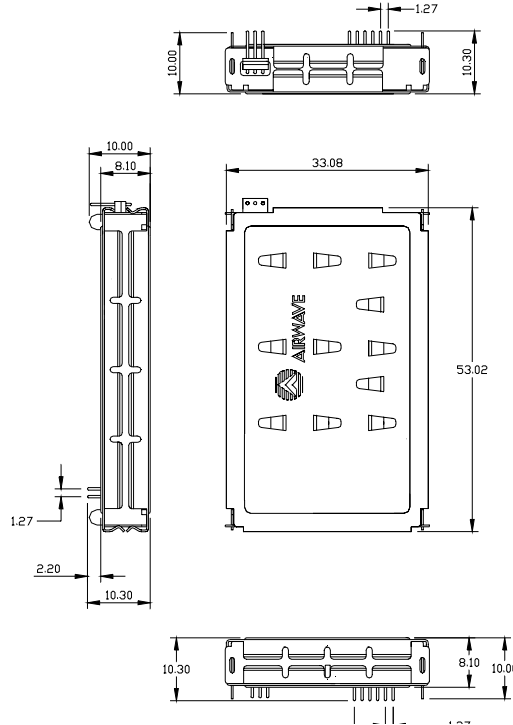
AWM620RX-INV

2.4GHz Video/Audio RF Module

22-Oct-04 P3/4

PHYSICAL DIMENTIONS

Unit: mm



AIRWAVE TECHNOLOGIES INC.

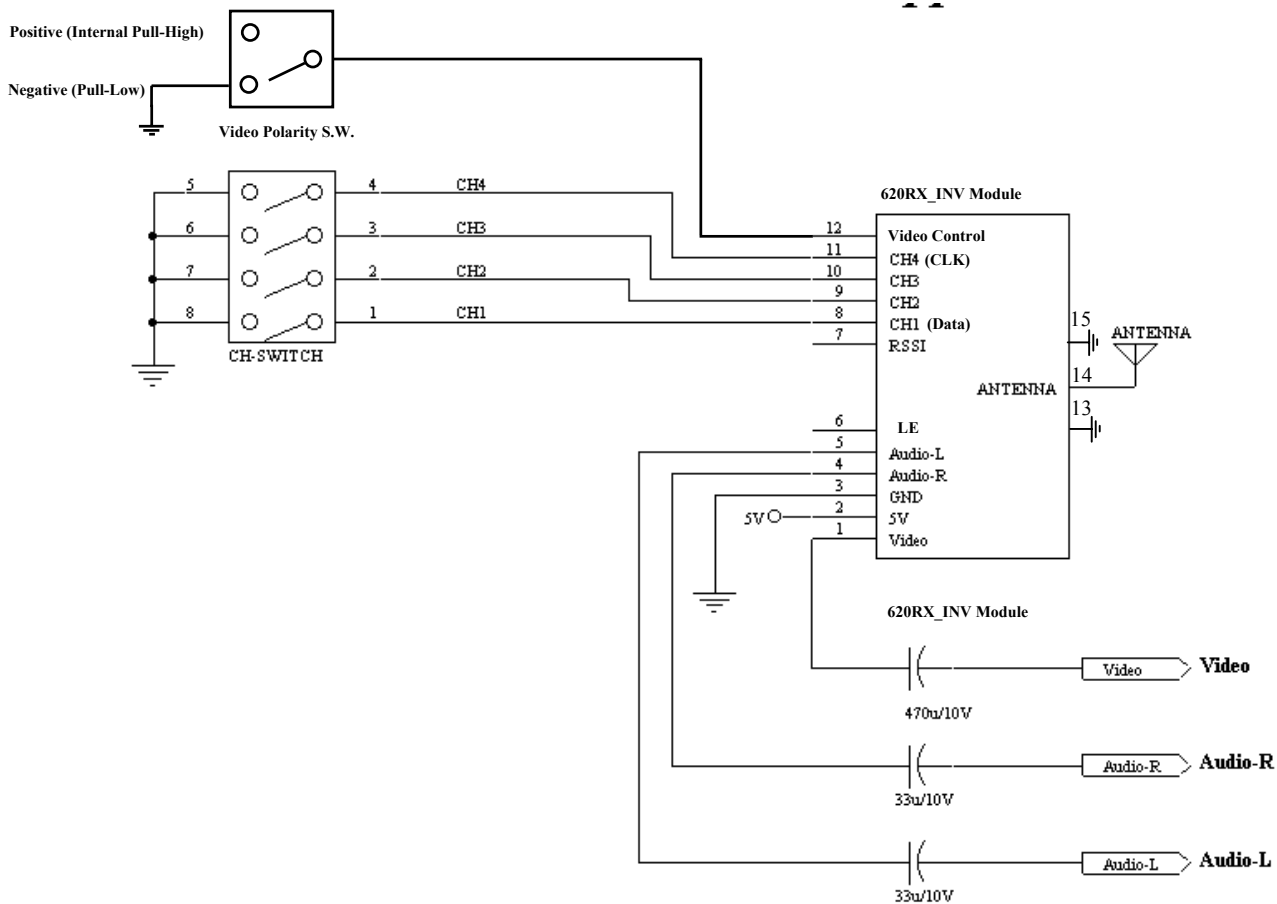


AWM620RX-INV

2.4GHz Video/Audio RF Module

22-Oct-04 P4/4

AWM620RX-INV Module Application Circuit



AIRWAVE TECHNOLOGIES INC.