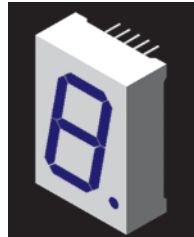
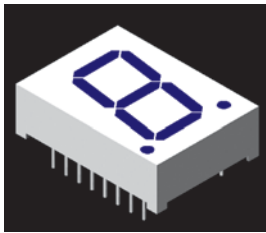


LED Displays ~ Seven Segment ~ Numeric



Single Digit



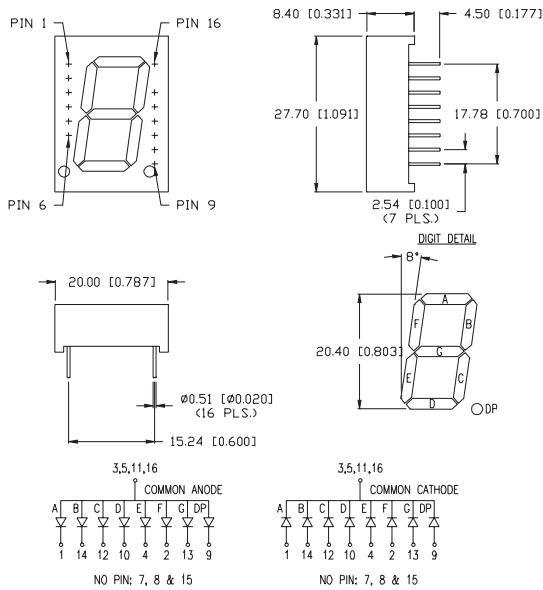
Features/Options

- ▶ Standard and high brightness chips
- ▶ Intensity grading available
- ▶ Custom sizes at minimal tooling
- ▶ Face and segment off colors in grey and milky white

Applications/Uses

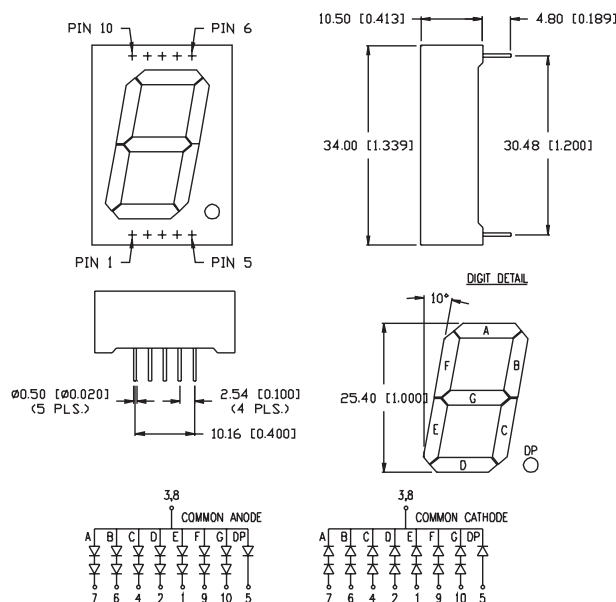
- ▶ Test instruments
- ▶ Diagnostic equipment
- ▶ Instrument and control panels
- ▶ Monitoring displays

0.80" single digit



Part Number	Wave Length (nm)	Brightness (μcd) @ 10mA	Vf (typ) 10mA	Vf (max) 10mA	Emitted Color	Polarity (common)
LDS-A812RI	565	2500	2.2	2.6	Green	Anode
LDS-A814RI	635	2500	2.0	2.5	Red	Anode
LDS-A816RI	660	8000	1.7	2.2	Red	Anode
LDS-A812RI-SUG	574	7000	2.2	2.6	Green	Anode
LDS-A814RI-SI	636	15,000	2.0	2.6	Red	Anode
LDS-A8167RI-USB	470	6000	3.5	4.0	Blue	Anode
LDS-C812RI	565	2500	2.2	2.6	Green	Cathode
LDS-C814RI	635	2500	2.0	2.5	Red	Cathode
LDS-C816RI	660	8000	1.7	2.2	Red	Cathode
LDS-C812RI-SUG	574	7000	2.2	2.6	Green	Cathode
LDS-C814RI-SI	636	15,000	2.0	2.6	Red	Cathode
LDS-C8167RI-USB	470	6000	3.5	4.0	Blue	Cathode

1.0" single digit



Part Number	Wave Length (nm)	Brightness (μcd) @ 10mA	Vf (typ) 10mA*	Vf (max) 10mA*	Emitted Color	Polarity (common)
LDS-AA12RI	565	2500	4.4 2.2	5.2 2.6	Green	Anode
LDS-AA14RI	635	2500	4.0 2.0	5.0 2.5	Red	Anode
LDS-AA16RI	660	8000	3.4 1.7	4.4 2.2	Red	Anode
LDS-AA12RI-SUG	574	7000	4.4 2.2	5.2 2.6	Green	Anode
LDS-AA14RI-SI	636	15,000	4.0 2.0	5.0 2.6	Red	Anode
LDS-AA17RI-USB	470	6000	7.0 3.5	8.0 4.0	Blue	Anode
LDS-CA12RI	565	2500	4.4 2.2	5.2 2.6	Green	Cathode
LDS-CA14RI	635	2500	4.0 2.0	5.0 2.5	Red	Cathode
LDS-CA16RI	660	8000	3.4 1.7	4.4 2.2	Red	Cathode
LDS-CA12RI-SUG	574	7000	4.4 2.2	5.2 2.6	Green	Cathode
LDS-CA14RI-SI	636	15,000	4.0 2.0	5.0 2.6	Red	Cathode
LDS-CA17RI-USB	470	6000	7.0 3.5	8.0 4.0	Blue	Cathode

*Second value for single chip in decimal point



USA/Canada +1-800-278-5666
Europe +49-6081-964380
Asia +886-3-5821124



www.lumex.com



USA/Canada +1-847-359-8904
Europe +49-6081-964381
Asia +886-3-5821154