



## MIC5374/84

Triple 200mA  $\mu$ Cap LDO and 1mA  
RTC LDO in 2.5mm x 2.5mm Thin MLF<sup>®</sup>

### General Description

The MIC5374/84 is a four output device with three 200mA LDOs and a Real Time Clock (RTC) 1mA LDO which is ideal for application processor support in mobile platforms. The MIC5374 provides independent control active high enables for each of the 200mA LDOs with an additional always-on RTC LDO. The MIC5384 provides active low enables. Both the MIC5374 and MIC5384 are available in the tiny 2.5mm x 2.5mm Thin MLF<sup>®</sup> package.

The MIC5374/84 is designed for high input ripple rejection (high PSRR) and provides low output noise making it ideal for powering sensitive RF circuitry such as GPS, WiFi and Bluetooth applications. The MIC5374/84 also incorporates a power-on-reset (POR) supervisor with adjustable delay time set by an external capacitor, and an independent input pin to monitor any voltage level. Once high the POR output can be asserted low again by enabling the manual reset (MR) pin. When the MR pin is restored low the POR output will re-time the delay set by the external delay capacitor.

The MIC5374/84 operates with very small ceramic output capacitors to reduce board space and component cost. It is available in various fixed output voltages. The MIC5374/84 has a junction temperature range from -40°C to 125°C.

Datasheets and support documentation can be found on Micrel's web site at: [www.micrel.com](http://www.micrel.com).

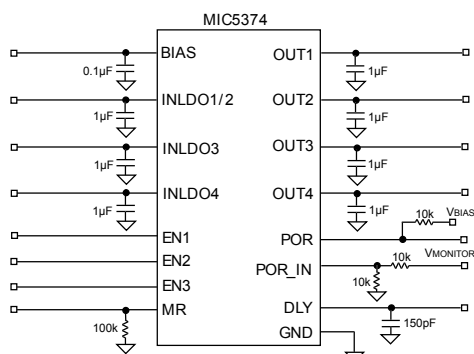
### Features

- 1.7V to 5.5V input supply voltage range
- Output current - 200mA LDO1/2/3, 1mA LDO4
- LDO4 – Ultra low 8 $\mu$ A  $I_{BIAS}$  for RTC support
- High output accuracy ( $\pm 2\%$ )
- Independent enable pins
- POR with user-defined voltage monitoring
  - POR voltage input
  - Adjustable delay time
  - Manual reset pin
- Low dropout voltage – 170mV at 150mA
- High PSRR - 55dB at 1kHz on each LDO
- Stable with tiny ceramic output capacitors
- 2.5mm x 2.5mm Thin MLF<sup>®</sup> 16-pin package
- Thermal shutdown and current limit protection

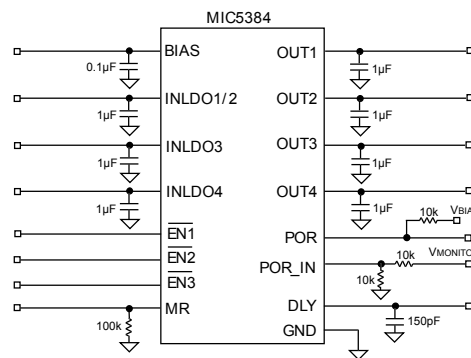
### Applications

- Mobile phones
- GPS receivers
- Application co-processors
- PDAs and handheld devices

### Typical Application



Typical MIC5374-xxxxYMT Circuit  
(Active High Enable)



Typical MIC5384-xxxxYMT Circuit  
(Active Low Enable)

MLF and MicroLeadFrame are registered trademarks of Amkor Technology, Inc.

Micrel Inc. • 2180 Fortune Drive • San Jose, CA 95131 • USA • tel +1 (408) 944-0800 • fax + 1 (408) 474-1000 • <http://www.micrel.com>

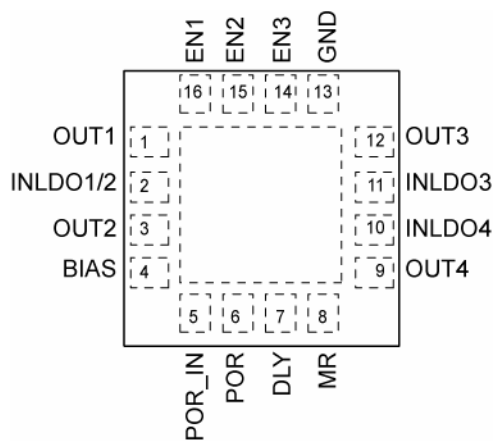
## Ordering Information

Part Number	Mark Code	Output Voltage <sup>(1)</sup>	Junction Temp. Range	Package	Lead Finish <sup>(2)</sup>
MIC5374-SJG1YMT	SJG1	3.3V/2.5V/1.8V/1.0V	-40° to +125°C	16-Pin 2.5mm x 2.5mm Thin MLF <sup>®</sup>	Pb-free
MIC5384-MG44YMT	Z1U	2.8V/1.8V/1.2/1.2V	-40° to +125°C	16-Pin 2.5mm x 2.5mm Thin MLF <sup>®</sup>	Pb-free

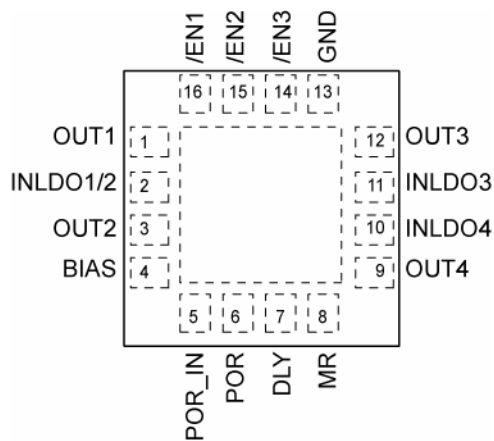
**Note:**

1. Other voltage options available. Contact Micrel for details.
2. Lead finish is NiPdAu. Mold compound material is halogen free.

## Pin Configuration



**MIC5374**  
16-Pin 2.5mm x 2.5mm Thin MLF<sup>®</sup> (MT)  
(Top View)



**MIC5384**  
16-Pin 2.5mm x 2.5mm Thin MLF<sup>®</sup> (MT)  
(Top View)

## Pin Description

Pin Number	Pin Name	Pin Function
1	OUT1	Regulator Output - LDO1.
2	INLDO1/2	Supply Input (LDO1/2).
3	OUT2	Regulator Output – LDO2.
4	BIAS	Internal Bias Supply Voltage. Must be de-coupled to ground with a 0.1 $\mu$ F capacitor.
5	POR_IN	Input to POR. Connect directly to output voltage or input voltage that is to be monitored for a 0.9V reference, or connect a resistor divider network to this pin to program the POR monitoring voltage.
6	POR	Power-on Reset Output. Open drain.
7	DLY	POR Delay Capacitor. Connect capacitor to ground to set POR delay time.
8	MR	Manual Reset Input. Manually resets output of POR and delay generator. Do not leave floating.
9	OUT4	Regulator Output - LDO4.
10	INLDO4	Supply Input (LDO4). Ultra-low I <sub>Q</sub> RTC LDO. 1.7V to 5.5V input voltage range.
11	INLDO3	Supply Input (LDO3).
12	OUT3	Regulator Output – LDO3.
13	GND	Ground.
14	EN3 or /EN3	LDO3 Enable Input. EN (MIC5374): Active High Input. Logic High = On; Logic Low = Off; /EN (MIC5384): Active Low Input. Logic High = Off; Logic Low = On; Do not leave floating.
15	EN2 or /EN2	LDO2 Enable Input. EN (MIC5374): Active High Input. Logic High = On; Logic Low = Off; /EN (MIC5384): Active Low Input. Logic High = Off; Logic Low = On; Do not leave floating.
16	EN1 or /EN1	LDO1 Enable Input. EN (MIC5374): Active High Input. Logic High = On; Logic Low = Off; /EN (MIC5384): Active Low Input. Logic High = Off; Logic Low = On; Do not leave floating.
HS Pad	EPAD	Exposed Heat Sink Pad. Connect to GND.

**Absolute Maximum Ratings<sup>(1)</sup>**

Supply Voltage ( $V_{\text{INLDO1/2, INLDO3, INLDO4}}$ )	-0.3V to +6V
Bias Supply Voltage ( $V_{\text{BIAS}}$ )	-0.3V to +6V
Enable Input Voltage ( $V_{\text{EN1, EN2, EN3}}$ )	-0.3V to +6V
POR Output Voltage (POR)	-0.3V to +6V
POR Input Voltage (POR_IN)	-0.3V to +6V
MR Voltage (MR)	-0.3V to +6V
DLY Voltage (DLY)	-0.3V to +6V
Power Dissipation	Internally Limited <sup>(2)</sup>
Lead Temperature (soldering, 10 sec)	260°C
Storage Temperature ( $T_s$ )	-60°C to +150°C
ESD Rating <sup>(3)</sup>	ESD Sensitive

**Operating Ratings<sup>(4)</sup>**

Supply Voltage <sup>(5)</sup> ( $V_{\text{INLDO1/2, INLDO3, INLDO4}}$ )	+1.7V to $V_{\text{BIAS}}$
Bias Supply Voltage ( $V_{\text{BIAS}}$ )	+2.5V to +5.5V
Enable Input Voltage ( $V_{\text{EN1, EN2, EN3}}$ )	0V to $V_{\text{BIAS}}$
POR Output Voltage (POR)	0V to +5.5V
POR Input Voltage (POR_IN)	0V to $V_{\text{BIAS}}$
MR Voltage (MR)	0V to $V_{\text{BIAS}}$
DLY Voltage (DLY)	0V to $V_{\text{BIAS}}$
Junction Temperature ( $T_J$ )	-40°C to +125°C
Junction Thermal Resistance 2.5 x 2.5 Thin MLF <sup>®</sup> -16L ( $\theta_{JA}$ )	100°C/W

**Electrical Characteristics<sup>(6)</sup>**

(MIC5374)  $V_{\text{IN}} = V_{\text{OUT}} + 1\text{V}$  ( $V_{\text{OUT}}$  is highest of the three regulator outputs);  $V_{\text{BIAS}} = V_{\text{EN1}} = V_{\text{EN2}} = V_{\text{EN3}} = 5.5\text{V}$  (ON);

(MIC5384)  $V_{\text{IN}} = V_{\text{OUT}} + 1\text{V}$  ( $V_{\text{OUT}}$  is highest of the three regulator outputs);  $V_{\text{BIAS}} = 5.5\text{V}$ ;  $V_{\text{EN1}} = V_{\text{EN2}} = V_{\text{EN3}} = \text{GND}$  (ON);

$I_{\text{OUT1}} = I_{\text{OUT2}} = I_{\text{OUT3}} = I_{\text{OUT4}} = 100\mu\text{A}$ ;  $C_{\text{OUT1}} = C_{\text{OUT2}} = C_{\text{OUT3}} = C_{\text{OUT4}} = 1\mu\text{F}$ ;  $T_A = 25^\circ\text{C}$ , **Bold** values indicate  $-40^\circ\text{C} \leq T_J \leq +125^\circ\text{C}$ , unless noted.

Parameter	Conditions	Min	Typ	Max	Units
Output Voltage Accuracy (LDO1/2/3)	Variation from nominal $V_{\text{OUT1, 2, 3}}$	-2.0		+2.0	%
	Variation from nominal $V_{\text{OUT1, 2, 3}}$	<b>-3.0</b>		<b>+3.0</b>	%
Output Voltage Accuracy (LDO4 - RTC Support)	Variation from nominal $V_{\text{OUT4}}$	-4.0		+4.0	%
	Variation from nominal $V_{\text{OUT4}}$	<b>-5.0</b>		<b>+5.0</b>	%
Line Regulation	$V_{\text{IN}} = V_{\text{OUT}} + 1\text{V}$ to 5.5V; $I_{\text{OUT}} = 100\mu\text{A}$		0.02	0.3	%/V
Load Regulation	$I_{\text{OUT}} = 100\mu\text{A}$ to 150mA; LDO1/2/3		0.3	1	%
	$I_{\text{OUT}} = 100\mu\text{A}$ to 1mA; LDO4		0.05	1	%
Dropout Voltage	$I_{\text{OUT}} = 50\text{mA}$ ; $V_{\text{OUT}} \geq 2.8\text{V}$		60	<b>115</b>	mV
	$I_{\text{OUT}} = 150\text{mA}$ ; $V_{\text{OUT}} \geq 2.8\text{V}$		170	<b>330</b>	mV
	$I_{\text{OUT}} = 50\text{mA}$ ; $V_{\text{OUT}} < 2.8\text{V}$		85	<b>145</b>	mV
	$I_{\text{OUT}} = 150\text{mA}$ ; $V_{\text{OUT}} < 2.8\text{V}$		275	<b>450</b>	mV
Input Ground Current	EN1 or EN2 or EN3 = ON; Not including $I_{\text{BIAS}}$		10	<b>20</b>	$\mu\text{A}$
	LDO4; EN1 = EN2 = EN3 = OFF; Not including $I_{\text{BIAS}}$		3	<b>8</b>	$\mu\text{A}$
Input Bias Current	EN1 or EN2 or EN3 = ON; with LDO4 ON		42	<b>70</b>	$\mu\text{A}$
	EN1 = EN2 = EN3 = ON; with LDO4 ON		106	<b>170</b>	$\mu\text{A}$
Shutdown Input Ground Current	EN1 = EN2 = EN3 = OFF		0.04	<b>2</b>	$\mu\text{A}$
Shutdown Bias Current	EN1 = EN2 = EN3 = OFF; with LDO4 ON		8	<b>13</b>	$\mu\text{A}$
Ripple Rejection	$f = 1\text{kHz}$ ; $C_{\text{OUT}} = 1.0\mu\text{F}$ ;		55		dB
Current Limit	$V_{\text{OUT}} = 0\text{V}$ ; LDO1/2/3	<b>200</b>	350	700	mA
	$V_{\text{OUT}} = 0\text{V}$ ; LDO4	<b>2</b>	12	50	mA
Output Voltage Noise	$C_{\text{OUT}} = 1\mu\text{F}$ , 10Hz to 100kHz; $I_{\text{OUT}} = 150\text{mA}$		200		$\mu\text{V}_{\text{RMS}}$

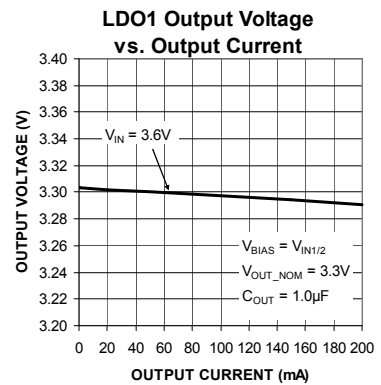
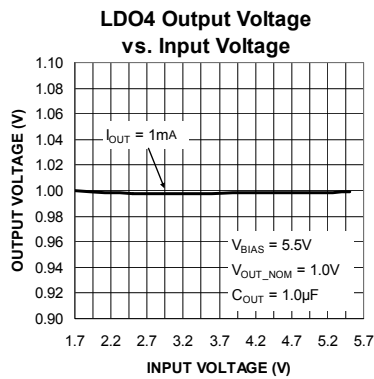
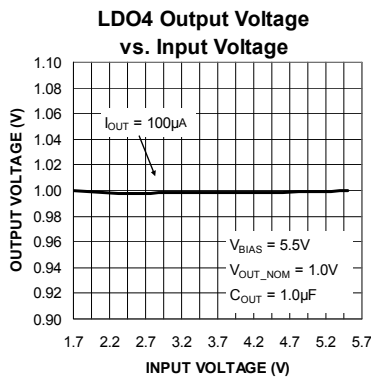
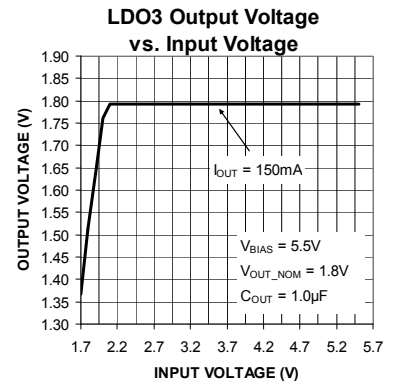
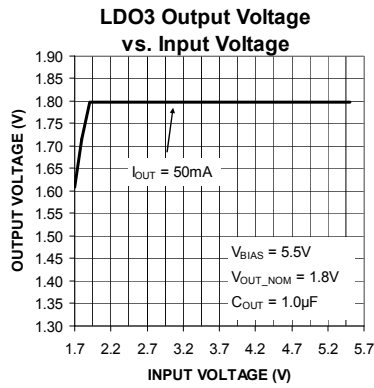
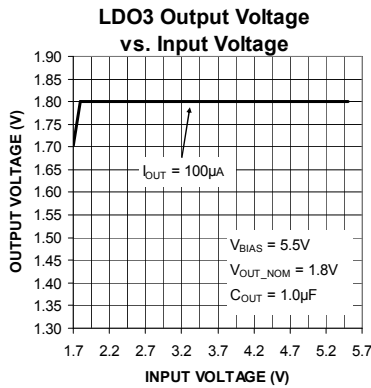
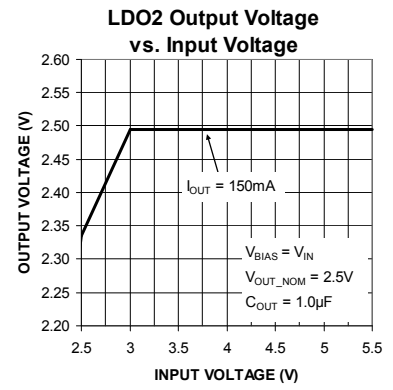
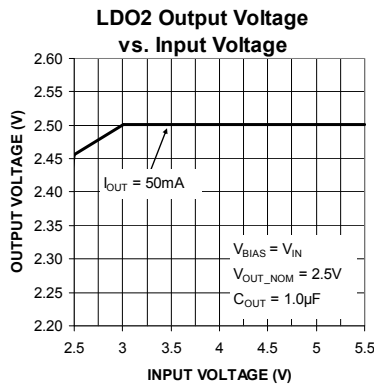
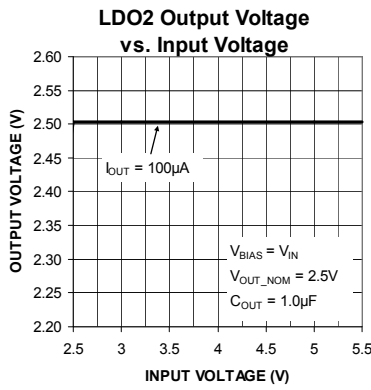
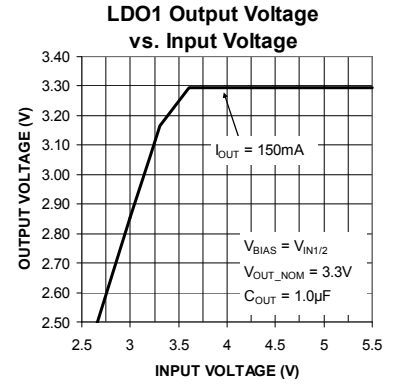
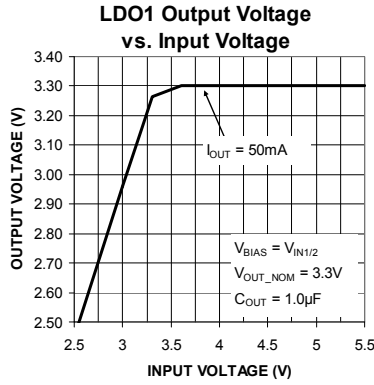
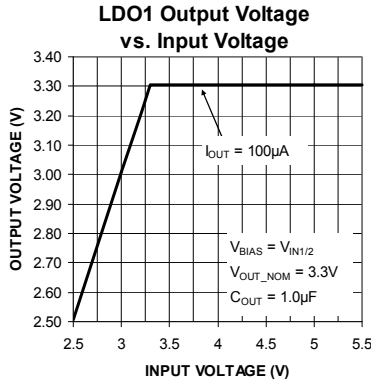
**Electrical Characteristics (Continued)**

Parameter	Conditions	Min	Typ	Max	Units
Enable Input Voltage	(MIC5374) LDO OFF; (MIC5384) LDO ON;			<b>0.2</b>	V
	(MIC5374) LDO ON; (MIC5384) LDO OFF;	<b>1.2</b>			V
Enable Input Current	$V_{IL} \leq 0.2V$		0.01		$\mu A$
	$V_{IH} \geq 1.2V$		0.01		$\mu A$
Turn-on Time	$C_{OUT} = 1\mu F$		80	<b>200</b>	$\mu s$
$V_{POR}$	POR Output Low Voltage			<b>0.2</b>	V
DLY Pin Current Source	$V_{DLY} = 0V$	<b>0.75</b>	1.25	<b>2</b>	$\mu A$
DLY Pin Voltage Threshold		<b>1.13</b>	1.25	<b>1.38</b>	V
$I_{POR}$	POR Output Leakage Current, $V_{POR}$ OFF		1		$\mu A$
$V_{TH}$	POR Under Voltage Threshold	<b>0.873</b>	0.9	<b>0.927</b>	V
$V_{HYS}$	POR Voltage Threshold Hysteresis		34		mV
$I_{POR\_IN}$	POR Input Pin Leakage Current		1		$\mu A$
Thermal Shutdown			155		$^{\circ}C$
Thermal Shutdown Hysteresis			10		$^{\circ}C$

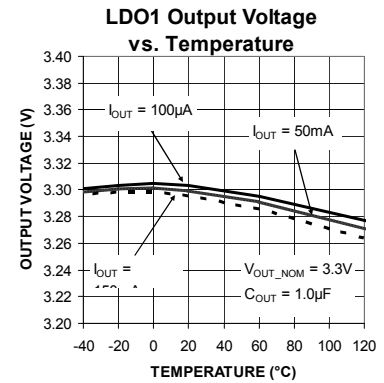
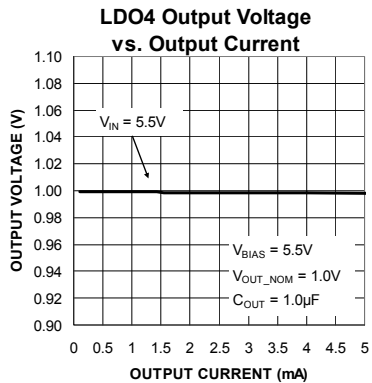
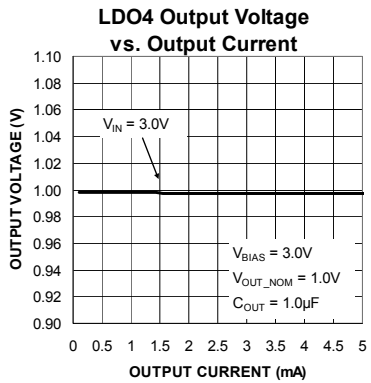
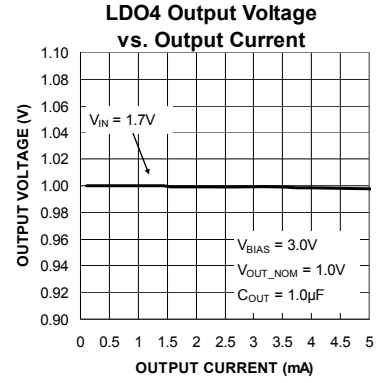
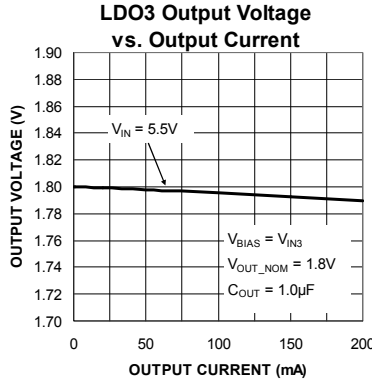
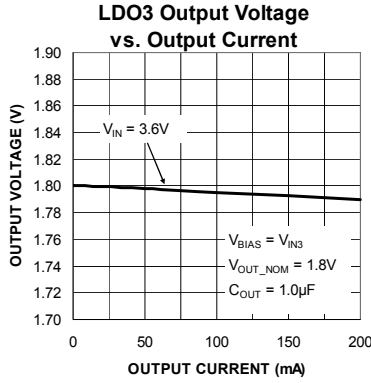
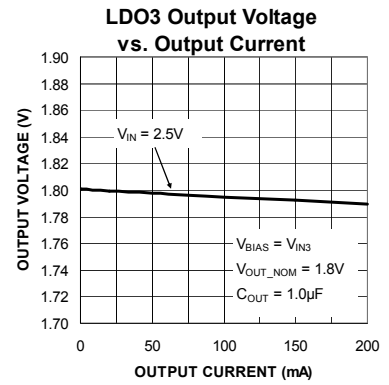
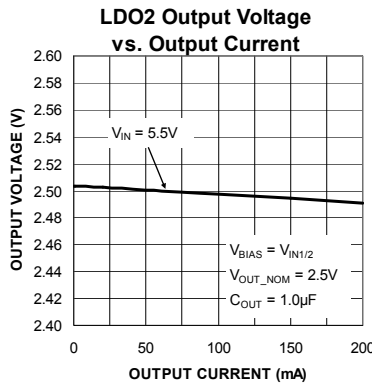
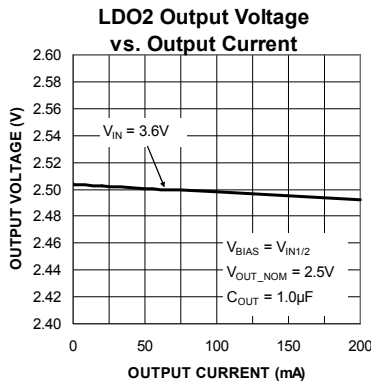
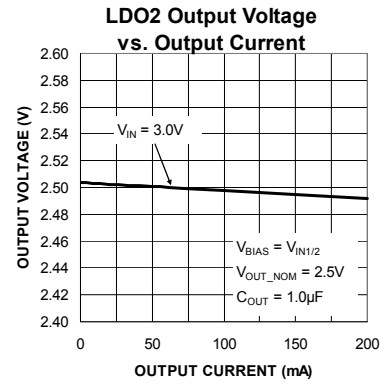
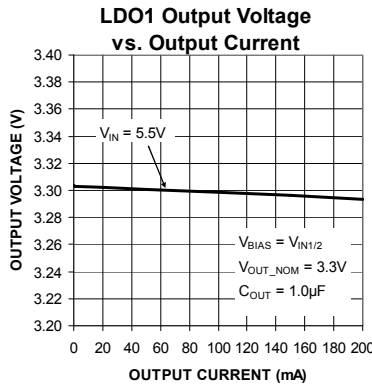
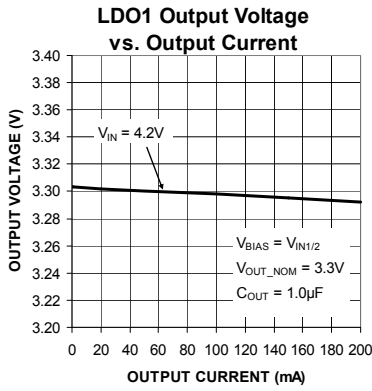
**Notes:**

1. Exceeding the absolute maximum rating may damage the device.
2. The maximum allowable power dissipation of any  $T_A$  (ambient temperature) is  $P_{D(max)} = (T_{J(max)} - T_A) / \theta_{JA}$ . Exceeding the maximum allowable power dissipation will result in excessive die temperature and the regulator will go into thermal shutdown.
3. Devices are ESD sensitive. Handling precautions recommended. Human body model, 1.5k $\Omega$  in series with 100pF.
4. The device is not guaranteed to function outside its operating rating.
5. For  $V_{IN}$  range of 1.7V to 2.5V, output current is limited to 30mA.
6. Specification for packaged product only.

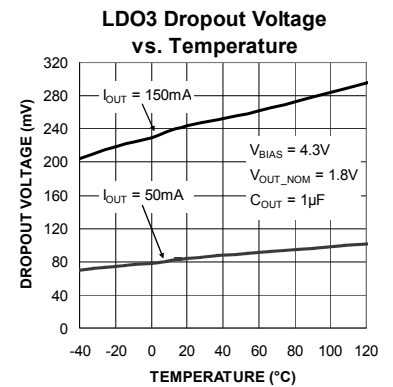
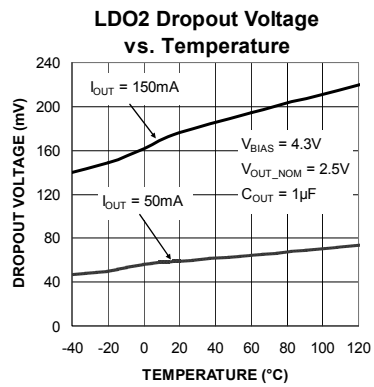
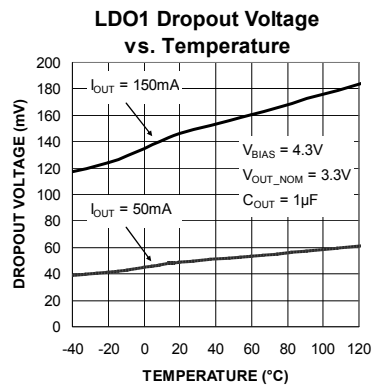
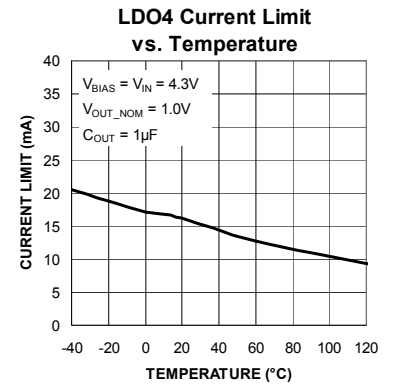
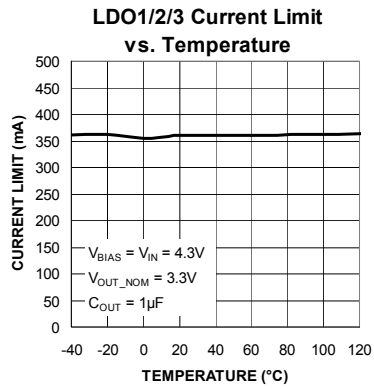
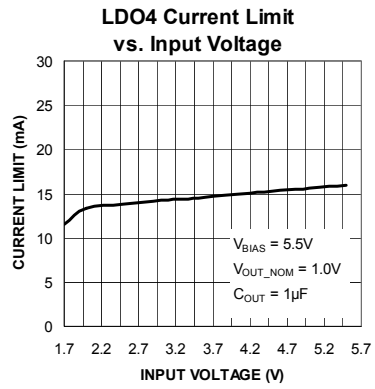
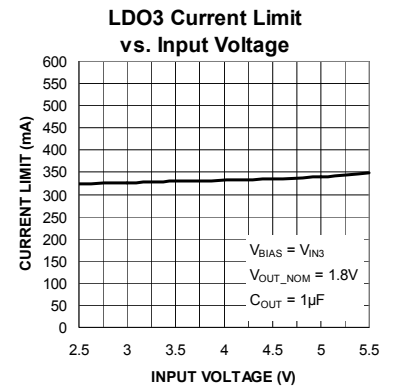
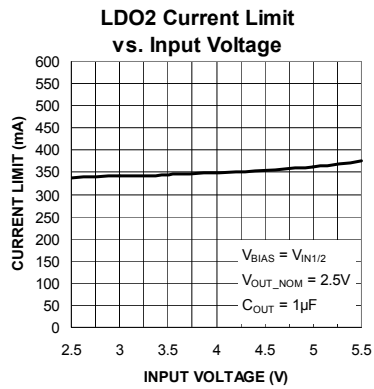
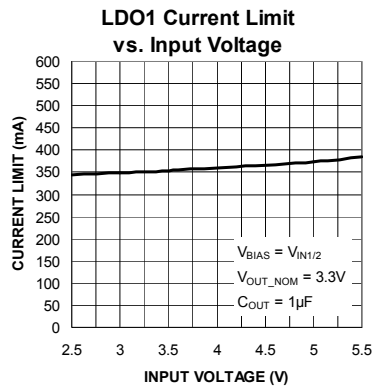
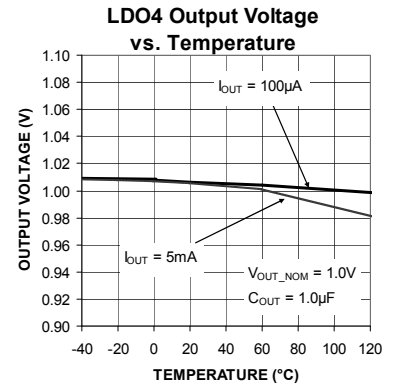
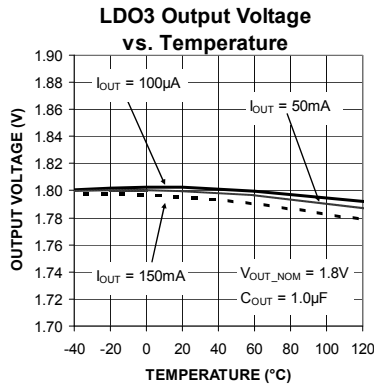
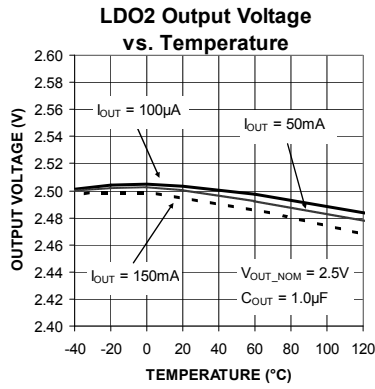
# Typical Characteristics



## Typical Characteristics (Continued)

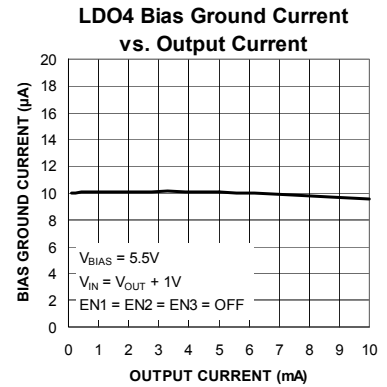
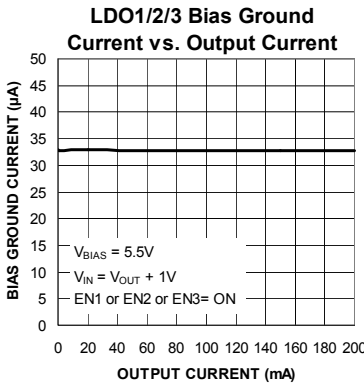
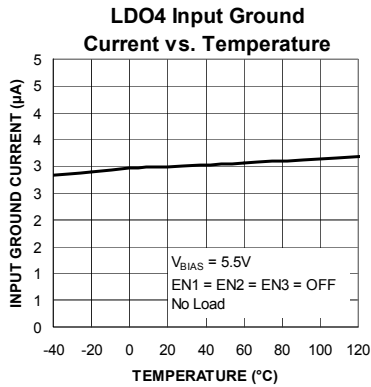
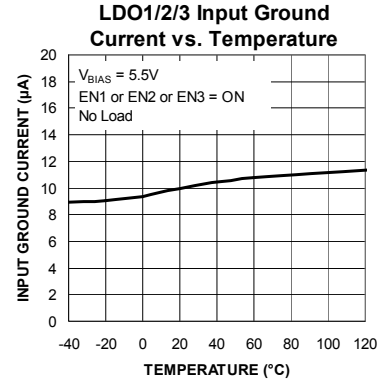
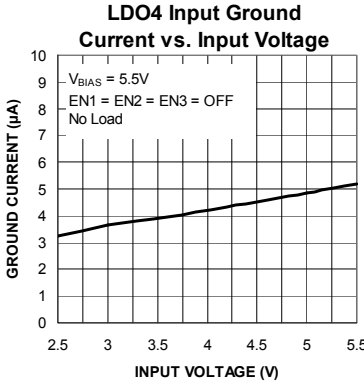
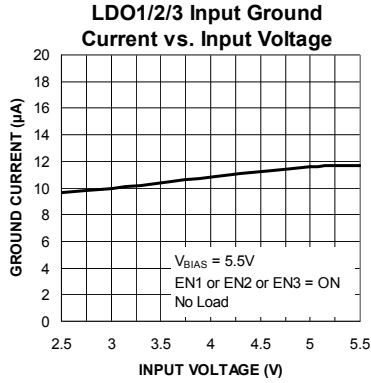
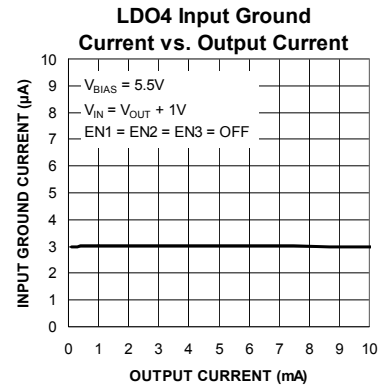
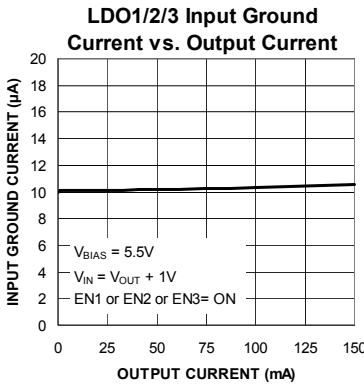
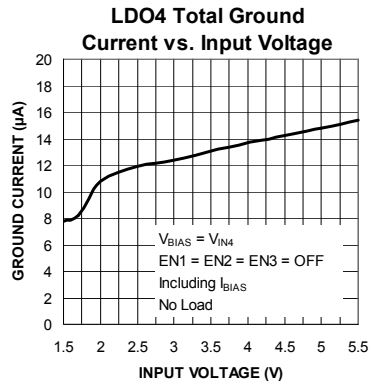
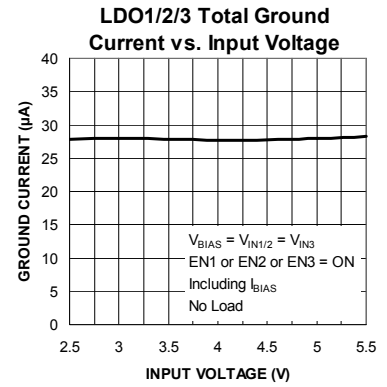
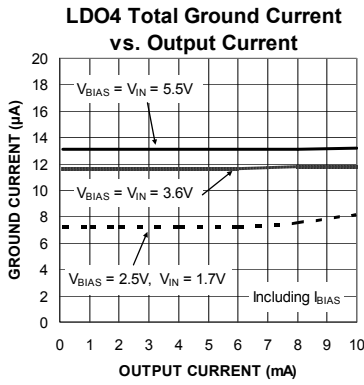
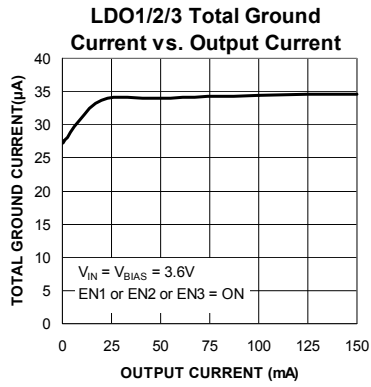


## Typical Characteristics (Continued)

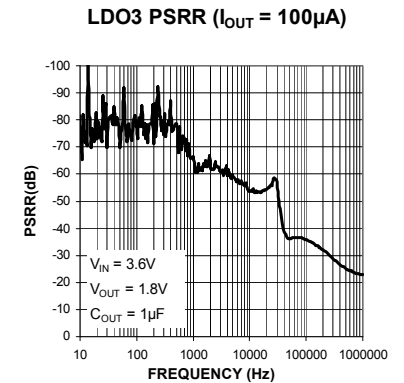
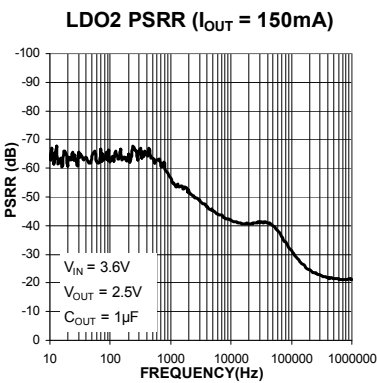
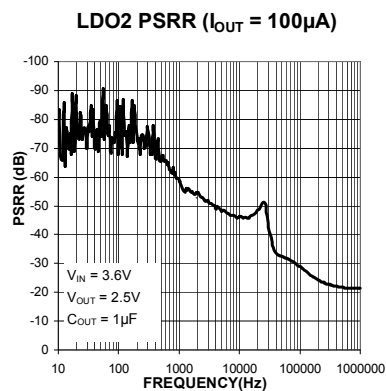
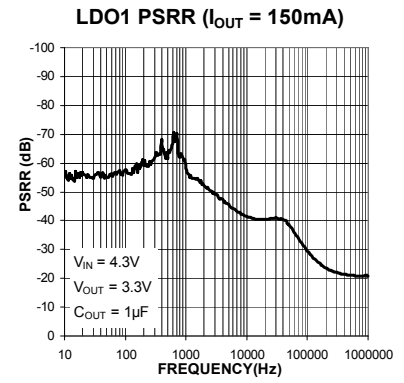
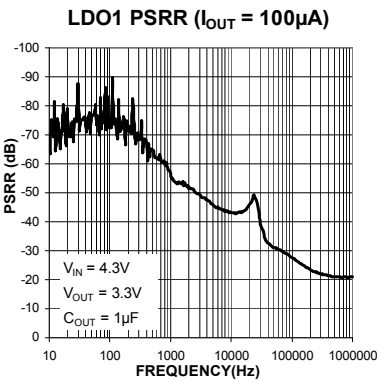
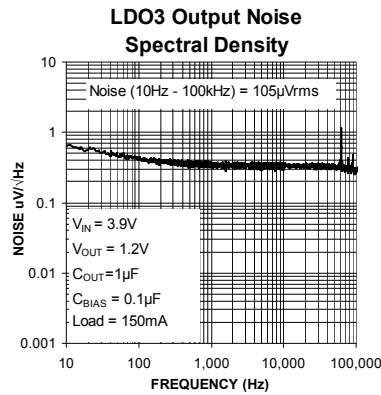
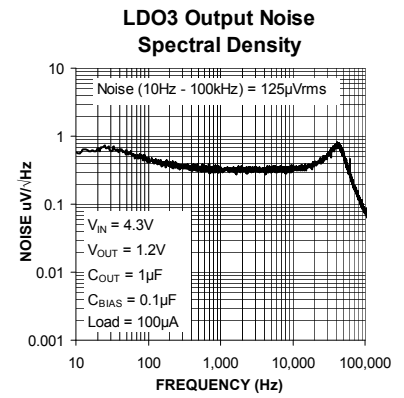
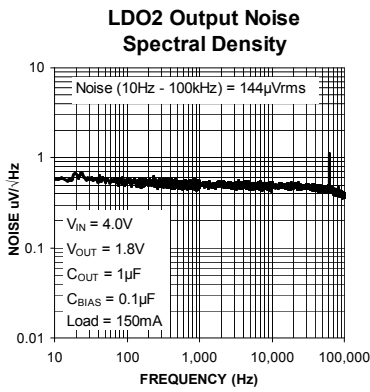
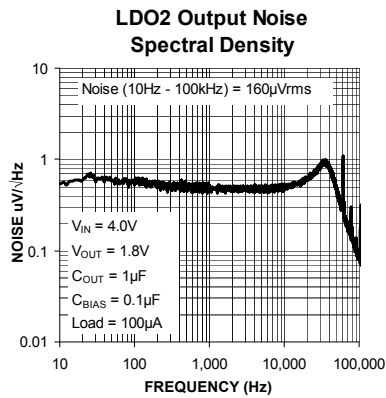
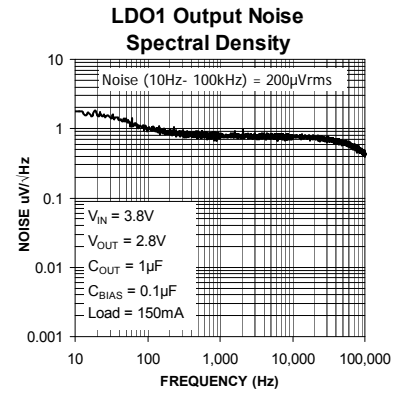
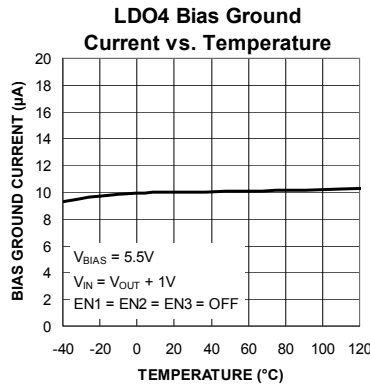
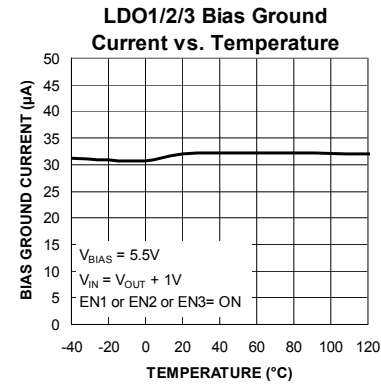




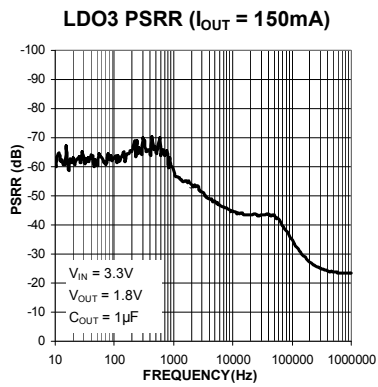
Typical Characteristics (Continued)



### Typical Characteristics (Continued)

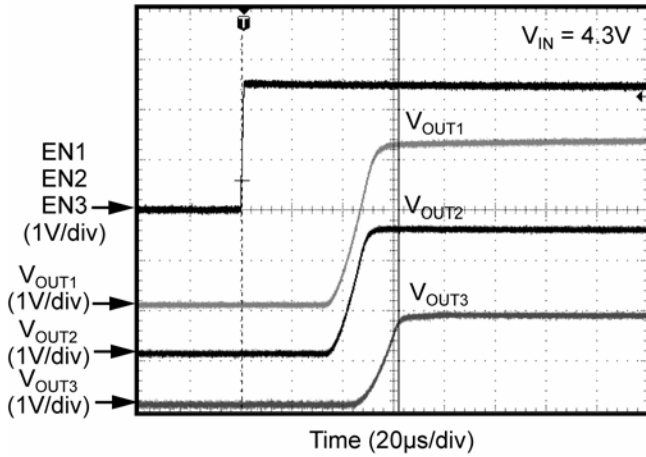


## Typical Characteristics (Continued)

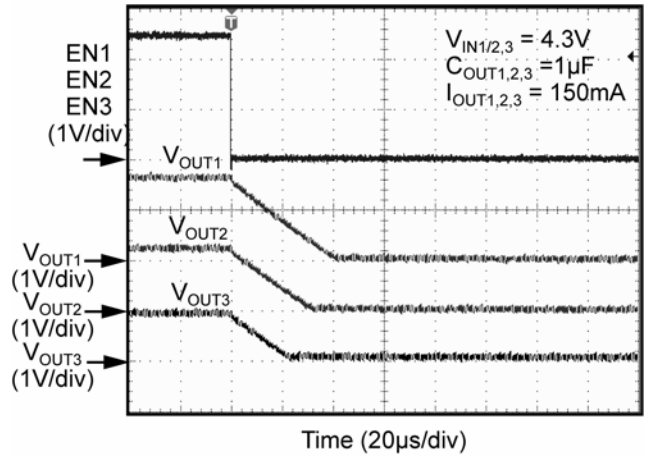


# Functional Characteristics

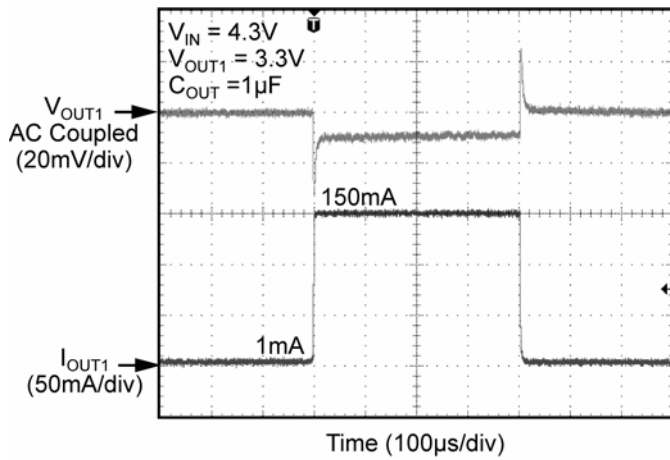
**Start-Up Waveform for LDO1/2/3**



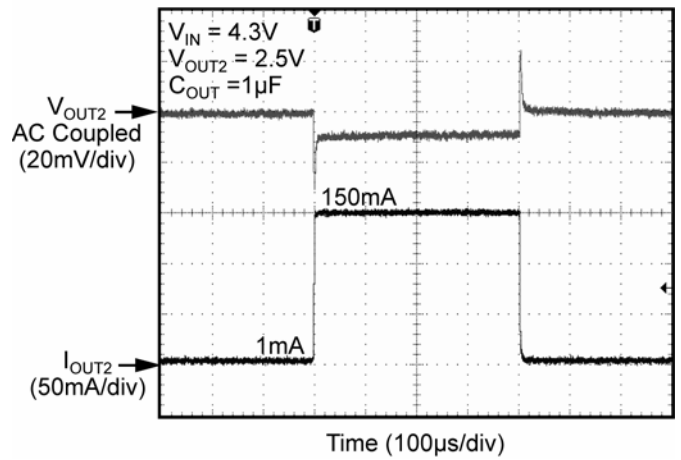
**Shutdown Waveform for LDO1/2/3**



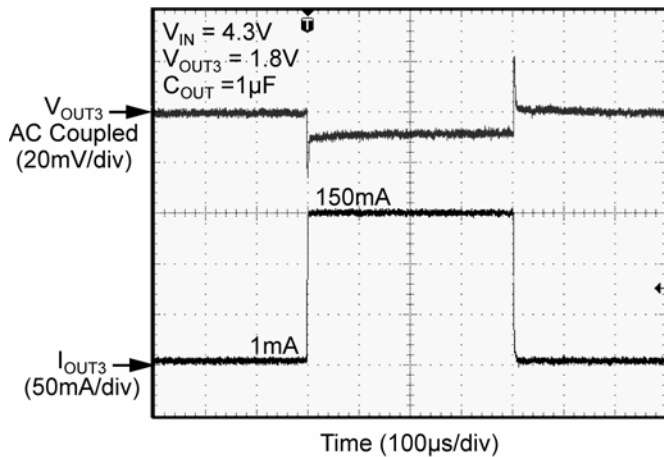
**LDO1 Load Transient (1mA to 150mA)**



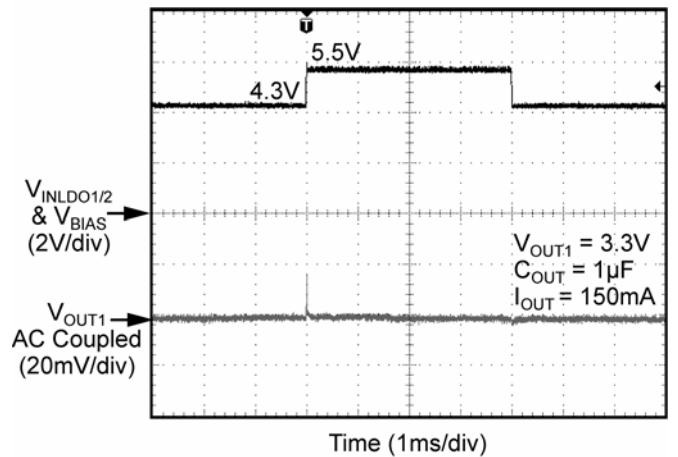
**LDO2 Load Transient (1mA to 150mA)**



**LDO3 Load Transient (1mA to 150mA)**

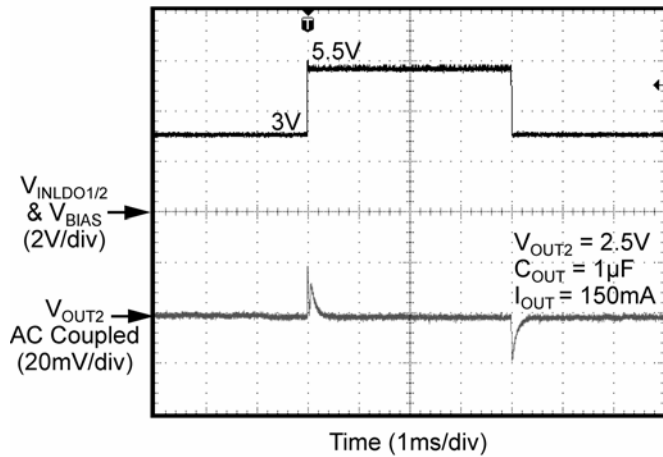


**LDO1 Line Transient (4.3V to 5.5V)**

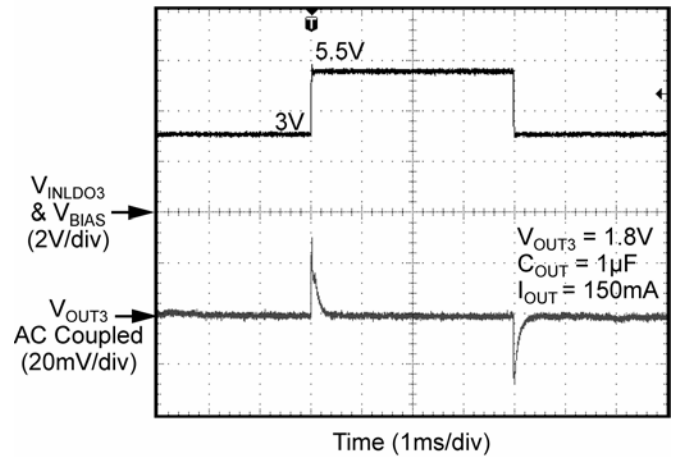


## Functional Characteristics (Continued)

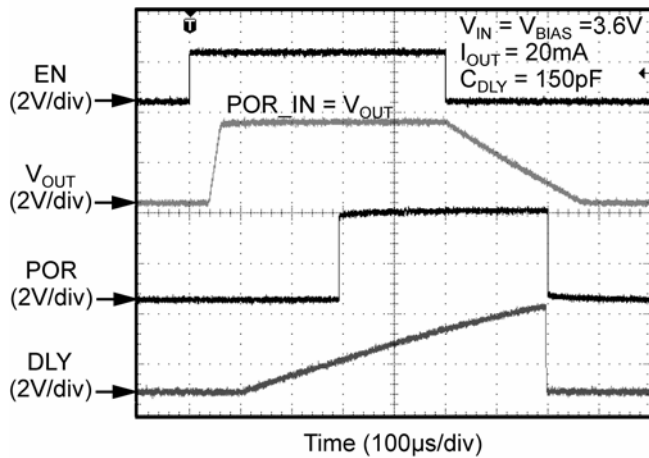
**LDO2 Line Transient (3V to 5.5V)**



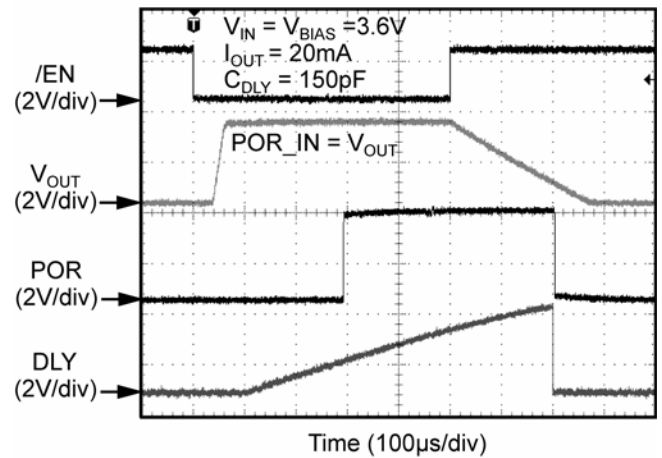
**LDO3 Line Transient (3V to 5.5V)**



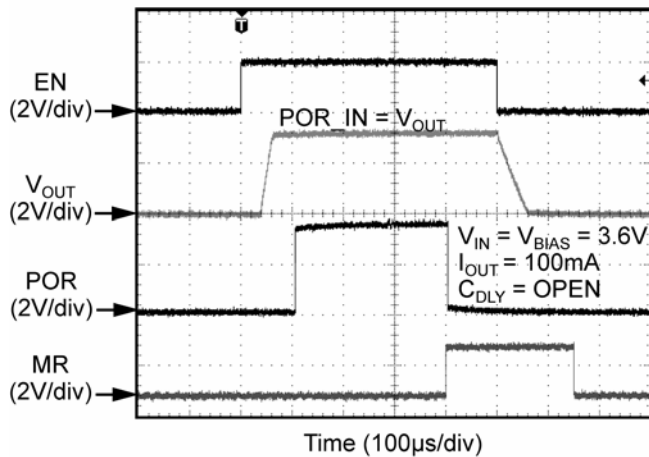
**MIC5374 POR with DLY Waveform**



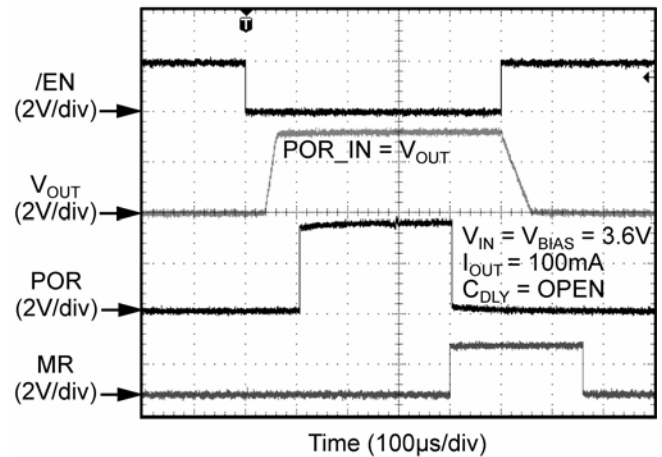
**MIC5384 POR with DLY Waveform**



**MIC5374 POR with MR Waveform**

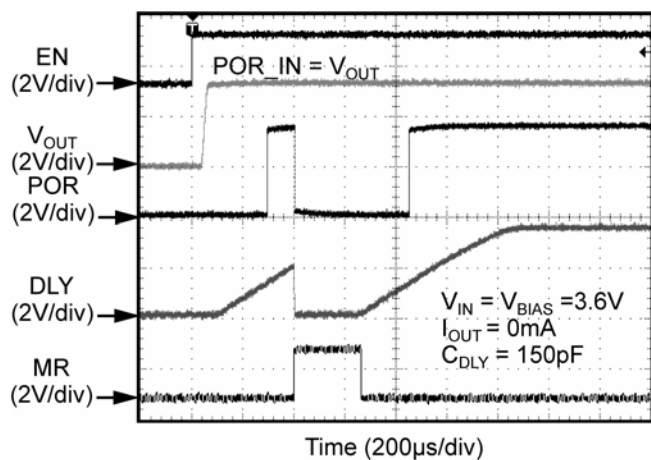


**MIC5384 POR with MR Waveform**

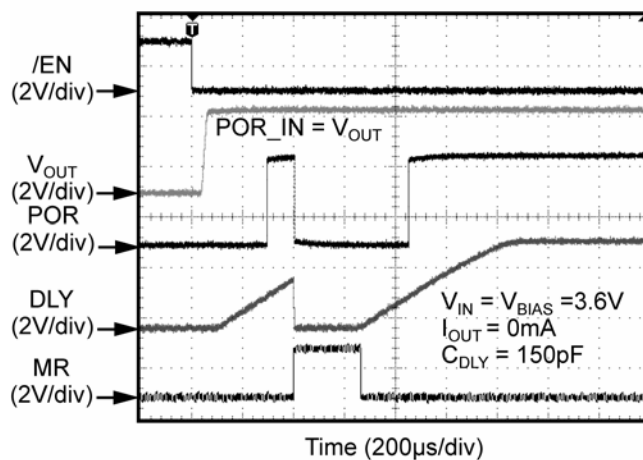


### Functional Characteristics (Continued)

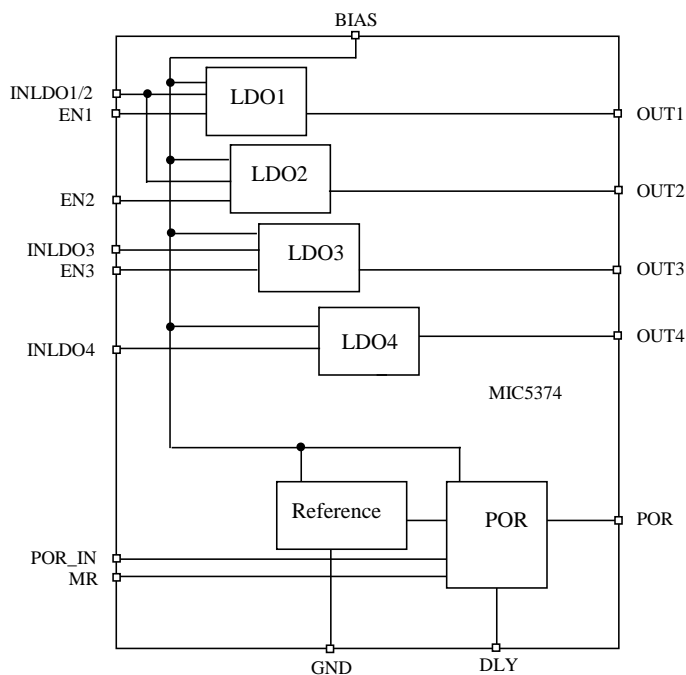
MIC5374 POR with DLY and MR Waveform



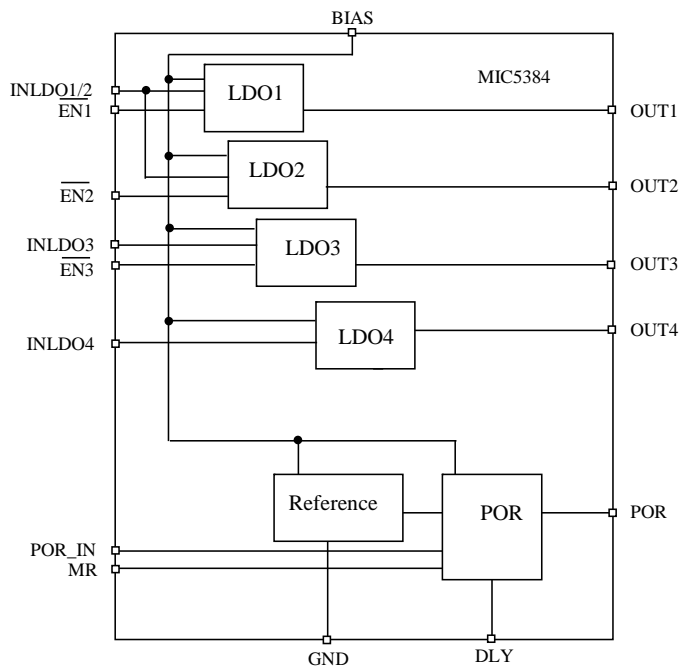
MIC5384 POR with DLY and MR Waveform



# Functional Diagram



**MIC5374 Block Diagram**



**MIC5384 Block Diagram**

## Pin Descriptions

### INLDO

The LDO input pins INLDO1/2, INLDO3 and INLDO4 provide the input power to the linear regulators LDO1, LDO2, LDO3 and LDO4. The input operating voltage range is from 1.7V to 5.5V. For input voltages from 1.7V to 2.5V the output current must be limited to 30mA each. Due to line inductance a 1 $\mu$ F capacitor placed close to the INLDO pins and the GND pin is recommended. Please refer to layout recommendations.

### BIAS

The BIAS pin provides power to the internal reference and control sections of the MIC5374/84. A 0.1 $\mu$ F ceramic capacitor must be connected from BIAS to GND for clean operation.

### EN (MIC5374)

The enable pins EN1, EN2 and EN3 provide logic level control for the outputs OUT1, OUT2 and OUT3, respectively. A logic high signal on an enable pin activates the respective LDO. A logic low signal on an enable pin deactivates the respective LDO. Do not leave the EN pins floating, as it would leave the regulator in an unknown state.

### /EN (MIC5384)

The enable pins /EN1, /EN2 and /EN3 provide logic level control for the outputs OUT1, OUT2 and OUT3, respectively. A logic high signal on an enable pin deactivates the respective LDO. A logic low signal on an enable pin activates the respective LDO. Do not leave the EN pins floating, as it would leave the regulator in an unknown state.

### OUT

OUT1, OUT2, OUT3 and OUT4 are the output pins of each LDO. A minimum of 1 $\mu$ F capacitor be placed as close as possible to each of the OUT pins. A minimum voltage rating of 6.3V is recommended for each capacitor.

### GND

The GND pin is the ground path for the control circuitry and the power ground for all LDOs. The current loop for the ground should be kept as short as possible. Refer to the layout recommendations for more details.

### POR

The POR (power-on-reset) pin is an open drain output. A resistor (10k $\Omega$  to 100k $\Omega$ ) can be used for a pull up to either the input or the output voltage of the regulator. POR is pulled high by the external pull up resistor when

the voltage at DLY reaches 1.25V. A delay can be added by placing a capacitor from the DLY pin to ground.

### POR\_IN

The POR\_IN (power-on-reset input) pin compares any voltage to an internal 0.9V reference. This function can be used to monitor any of the LDO outputs or any external voltage rail. When the monitored voltage is greater than 0.9V, the POR\_IN flag will internally trigger a 1.25 $\mu$ A source current to charge the external capacitor at the DLY pin. A resistor divider network may be used to divide down the monitored voltage to be compared with the 0.9V at the POR\_IN. This resistor network can change the trigger point to any voltage level. A small decoupling capacitor is recommended between POR\_IN and ground to reject high frequency noise that might interfere with the POR circuit. Do not leave the POR\_IN pin floating.

### DLY

The delay pin is used to set the POR delay time. Adding a capacitor to this pin adjusts the delay of the POR signal. When the POR\_IN flag is triggered, a constant 1.25 $\mu$ A current begins to charge the external capacitor tied to the DLY pin. When the capacitor reaches 1.25V the POR flag will be pulled high by the external pull up resistor. The equation to calculate the charge time is shown:

$$t_{\text{Delay}} \text{ (s)} = \left( \frac{1.25\text{V} \times C_{\text{DLY}}}{1.25 \times 10^{-6}} \right)$$

The delay time (t) is in seconds, the delay voltage is 1.25V internally, and the external delay capacitance ( $C_{\text{DLY}}$ ) is in microfarads. For a 1 $\mu$ F delay capacitor, the delay time will be 1 second. A capacitor at the DLY pin is recommended when the POR function is used in order to prevent unexpected triggering of the POR signal in noisy systems.

### MR

The MR (manual reset) pin resets the output of POR and DLY generator regardless if the monitored voltage is in regulation or not. Applying a voltage greater than 1.2V on the MR pin will cause the POR voltage to be pulled low. When a voltage below 0.2V is applied to the MR pin, the internal 1.25 $\mu$ A will begin to charge the DLY pin until it reaches 1.25V. When the DLY pin reaches 1.25V, the POR voltage will be pulled high by the external pull up resistor. Do not leave the MR pin floating.



## Application Information

MIC5374/84 is a four output device with three 200mA LDOs and a 1mA RTC LDO. The MIC5374/84 incorporates a POR function with the capability to monitor any voltage using POR\_IN. The monitored voltage can be set to any voltage threshold level to trigger the POR flag. A delay on the POR flag may also be set with an external capacitor at the DLY pin. All the LDOs have current limit and thermal shutdown protection to prevent damage from fault conditions. MIC5374 has active high enables while the MIC5384 has active low enables.

### RTC LDO

LDO4 is an always-on RTC LDO used for application processor support and can provide 1mA of output current. Power must be provided to the INLDO4 and BIAS pins to keep LDO4 enabled.

### Input Capacitor

The MIC5374/84 is a high performance, high bandwidth device. An input capacitor of 1 $\mu$ F from the input pin to ground is required to provide stability. Low ESR ceramic capacitors provide optimal performance in small board area. Additional high frequency capacitors, such as small valued NPO dielectric type capacitors, help filter out high frequency noise and are good practice in any RF based circuit. X5R or X7R dielectrics are recommended for the input capacitor. Y5V dielectrics lose most of their capacitance over temperature and are therefore not recommended.

### Output Capacitor

The MIC5374/84 requires an output capacitor of 1 $\mu$ F or greater to maintain stability. The design is optimized for use with low ESR ceramic chip capacitors. High ESR capacitors may cause high frequency oscillation. The output capacitor can be increased, but performance has been optimized for a 1 $\mu$ F ceramic output capacitor and does not improve significantly with larger capacitance.

X7R and X5R dielectric ceramic capacitors are recommended because of their temperature performance. X7R capacitors change capacitance by 15% over their operating temperature range and are the most stable type of ceramic capacitors. Z5U and Y5V dielectric capacitors change value by as much as 50% and 60% respectively over their operating temperature ranges. To use a ceramic chip capacitor with Y5V dielectric the value must be much higher than an X7R ceramic capacitor to ensure the same minimum capacitance over the equivalent operating temperature range.

### No Load Stability

Unlike many other voltage regulators, the MIC5374/84

will remain stable and in regulation with no load.

### Thermal Considerations

The MIC5374/84 is designed to provide three outputs up to 200mA each of continuous current in a very small package. Maximum ambient operating temperature can be calculated based on the output current and the voltage drop across the part. For example if the input voltages are 3.6V and the output voltages are 3.3V, 2.5V, and 1.8V each with an output current = 150mA. The actual power dissipation of the regulator circuit can be determined using the equation:

$$P_D = (V_{INLDO1/2} - V_{OUT1}) I_{OUT1} + (V_{INLDO1/2} - V_{OUT2}) I_{OUT2} + (V_{INLDO3} - V_{OUT3}) I_{OUT3} + (V_{INLDO4} - V_{OUT4}) I_{OUT4} + V_{IN} \times I_{GND}$$

As the MIC5374/84 is a CMOS device, the ground current is typically <100 $\mu$ A over the load range, the power dissipation contributed by the ground current is < 1% and may be ignored for this calculation. Since LDO4 only supplies 1mA of current, it can also be ignored for this calculation.

$$P_D \approx (3.6V - 3.3V)150mA + (3.6V - 2.5V)150mA + (3.6V - 1.8V)150mA$$

$$P_D \approx 0.48W$$

To determine the maximum ambient operating temperature of the package, use the junction to ambient thermal resistance of the device and the following basic equation:

$$P_{D(MAX)} = \left( \frac{T_{J(MAX)} - T_A}{\theta_{JA}} \right)$$

$$T_{J(MAX)} = 125^\circ C$$

$$\theta_{JA} = 100^\circ C/W$$

Substituting  $P_D$  for  $P_{D(max)}$  and solving for the ambient operating temperature will give the maximum operating conditions for the regulator circuit.

The maximum power dissipation must not be exceeded for proper operation.

For example, when operating the MIC5374-SJG1YMT at an input voltage of 3.6V and 150mA load on LDO1, LDO2 and LDO3 with a minimum layout footprint, the maximum ambient operating temperature  $T_A$  can be determined as follows:

$$0.48W = (125^\circ C - T_A) / (100^\circ C/W)$$

$$T_A = 77^\circ C$$

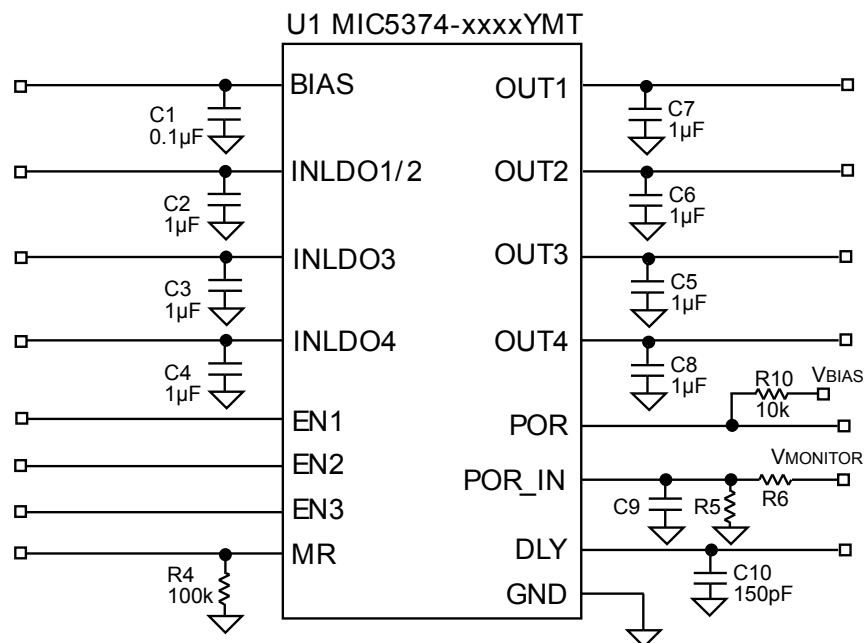
Therefore the maximum ambient operating temperature of 77 $^\circ$ C is allowed in a 2.5mm x 2.5mm Thin MLF<sup>®</sup> package for the voltage options specified and at the maximum load of 150mA on each output. For a full

discussion of heat sinking and thermal effects on voltage regulators, refer to the “Regulator Thermals” section of *Micrel’s Designing with Low-Dropout Voltage Regulators* handbook. This information can be found on Micrel’s

website at:

[http://www.micrel.com/\\_PDF/other/LDOBk\\_ds.pdf](http://www.micrel.com/_PDF/other/LDOBk_ds.pdf)

### Typical Circuit (MIC5374-xxxxYMT)



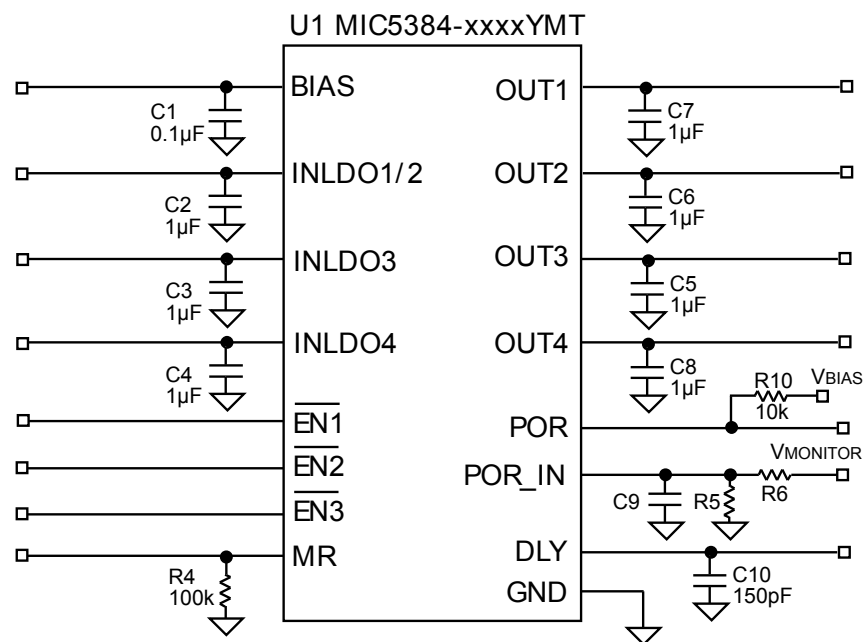
### Bill of Materials

Item	Part Number	Manufacturer	Description	Qty.
C1	C1005X5R1A104K	TDK <sup>(1)</sup>	Capacitor, 0.1µF Ceramic, 10V, X5R, Size 0402	1
C2, C3, C4, C5, C6, C7, C8	C1005X5R1A105K	TDK	Capacitor, 1µF Ceramic, 10V, X5R, Size 0402	7
C9	Optional			1
C10	C1005C0G1H151J	TDK	Capacitor, 150pF Cermaic, 50V, C0G, Size 0402	1
R4	CRCW0402100KFKED	Vishay <sup>(2)</sup>	100kΩ, 1%, 0402	1
R5, R6	Optional	Vishay	Optional	2
R10	CRCW040210KFKED	Vishay	10kΩ, 1%, 0402	1
<b>U1</b>	<b>MIC5374-xxxxYMT</b>	<b>Micrel, Inc.<sup>(3)</sup></b>	<b>High Performance Active High Enable Triple 200mA LDO with 1mA RTC LDO</b>	<b>1</b>

**Notes:**

1. TDK: [www.tdk.com](http://www.tdk.com)
2. Vishay: [www.vishay.com](http://www.vishay.com)
3. Micrel, Inc.: [www.micrel.com](http://www.micrel.com)

### Typical Circuit (MIC5384-xxxxYMT)



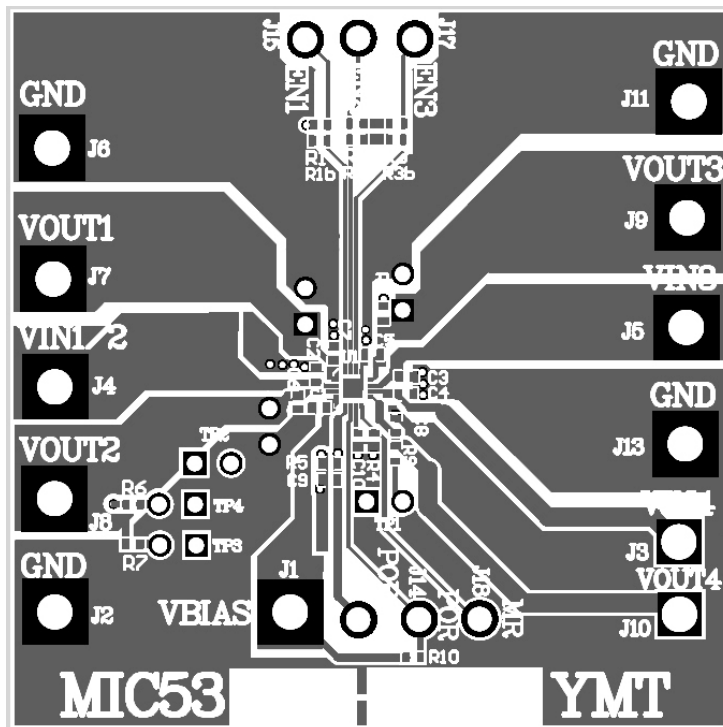
### Bill of Materials

Item	Part Number	Manufacturer	Description	Qty.
C1	C1005X5R1A104K	TDK <sup>(1)</sup>	Capacitor, 0.1µF Ceramic, 10V, X5R, Size 0402	1
C2, C3, C4, C5, C6, C7, C8	C1005X5R1A105K	TDK	Capacitor, 1µF Ceramic, 10V, X5R, Size 0402	7
C9	Optional			1
C10	C1005C0G1H151J	TDK	Capacitor, 150pF Cermaic, 50V, C0G, Size 0402	1
R4	CRCW0402100KFKED	Vishay <sup>(2)</sup>	100kΩ, 1%, 0402	1
R5, R6	Optional	Vishay	Optional	2
R10	CRCW040210KFKED	Vishay	10kΩ, 1%, 0402	1
<b>U1</b>	<b>MIC5384-xxxxYMT</b>	<b>Micrel, Inc.<sup>(3)</sup></b>	<b>High Performance Active Low Enable Triple 200mA LDO with 1mA RTC LDO</b>	<b>1</b>

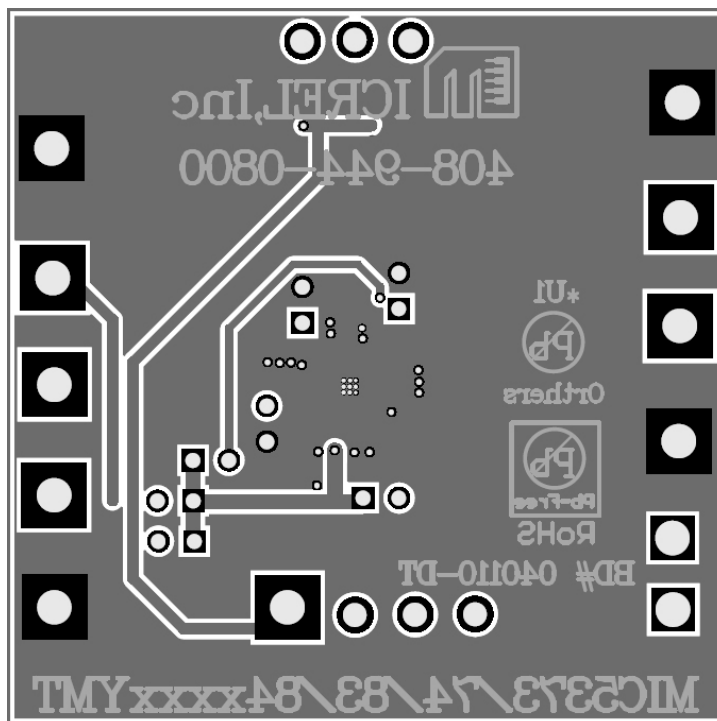
**Notes:**

1. TDK: [www.tdk.com](http://www.tdk.com)
2. Vishay: [www.vishay.com](http://www.vishay.com)
3. Micrel, Inc.: [www.micrel.com](http://www.micrel.com)

### PCB Layout Recommendations

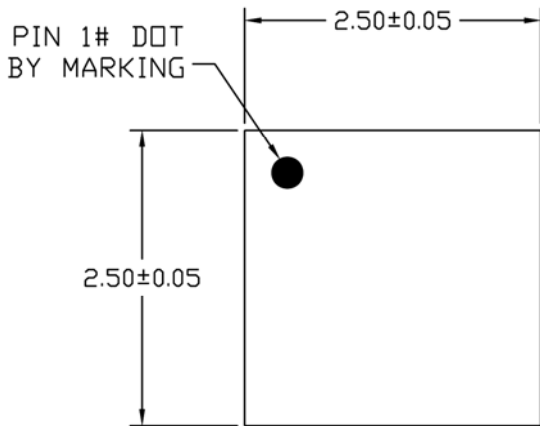


Recommended Top Layout

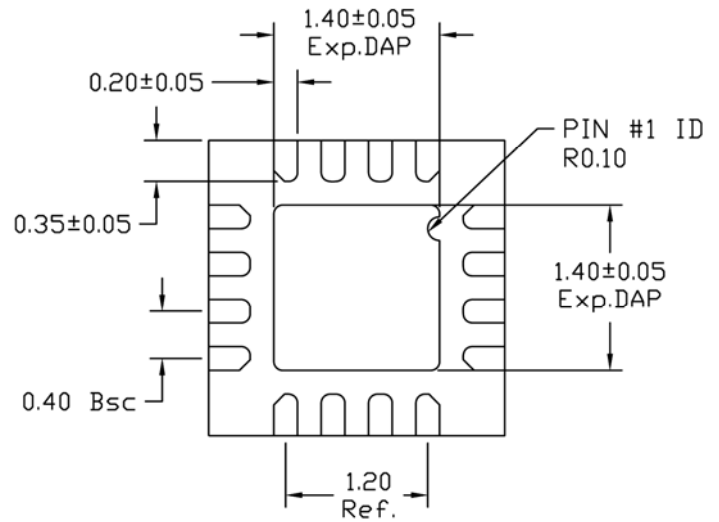


Recommended Bottom Layout

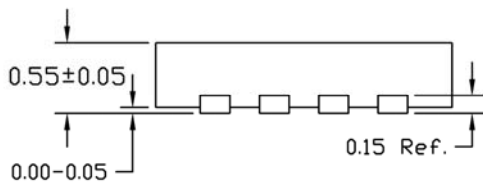
## Package Information



TOP VIEW



BOTTOM VIEW



SIDE VIEW

NOTES :

1. ALL DIMENSIONS ARE IN MILLIMETERS.
2. MAX. PACKAGE WARPAGE IS 0.05 mm.
3. MAXIMUM ALLOWABLE BURRS IS 0.08 mm IN ALL DIRECTIONS.
4. PIN #1 ID ON TOP WILL BE LASER MARKED.

**16-Pin 2.5mm x 2.5mm Thin MLF® (MT)**

**MICREL, INC. 2180 FORTUNE DRIVE SAN JOSE, CA 95131 USA**  
 TEL +1 (408) 944-0800 FAX +1 (408) 474-1000 WEB <http://www.micrel.com>

The information furnished by Micrel in this data sheet is believed to be accurate and reliable. However, no responsibility is assumed by Micrel for its use. Micrel reserves the right to change circuitry and specifications at any time without notification to the customer.

Micrel Products are not designed or authorized for use as components in life support appliances, devices or systems where malfunction of a product can reasonably be expected to result in personal injury. Life support devices or systems are devices or systems that (a) are intended for surgical implant into the body or (b) support or sustain life, and whose failure to perform can be reasonably expected to result in a significant injury to the user. A Purchaser's use or sale of Micrel Products for use in life support appliances, devices or systems is a Purchaser's own risk and Purchaser agrees to fully indemnify Micrel for any damages resulting from such use or sale.