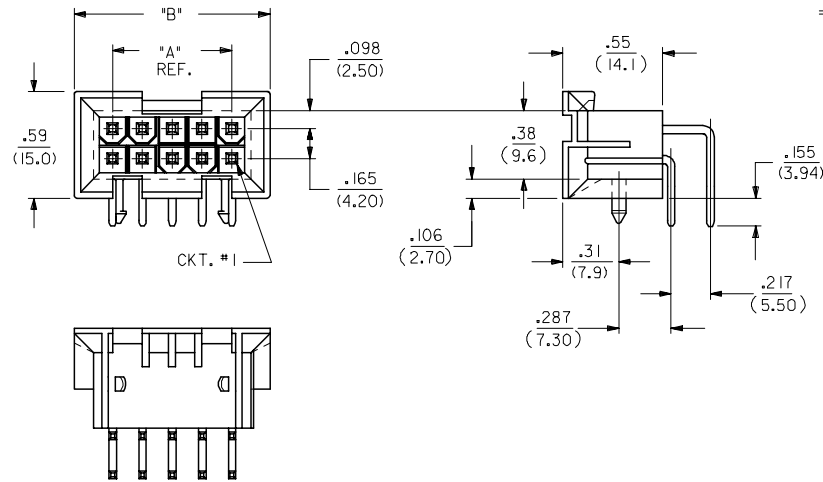
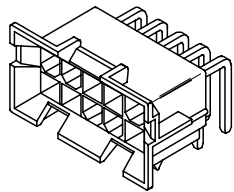


CIRCUIT SIZE	DIM. 'A'	DIM. 'B'
6	.331 (8.40)	.76 (19.2)
8	.496 (12.60)	.92 (23.4)
10	.661 (16.80)	1.09 (27.6)
12	.827 (21.00)	1.25 (31.8)
14	.992 (25.20)	1.42 (36.0)
16	1.157 (29.40)	1.58 (40.2)
18	1.323 (33.60)	1.75 (44.4)
20	1.488 (37.80)	1.91 (48.6)
22	1.654 (42.00)	2.08 (52.8)
24	1.819 (46.20)	2.24 (57.0)

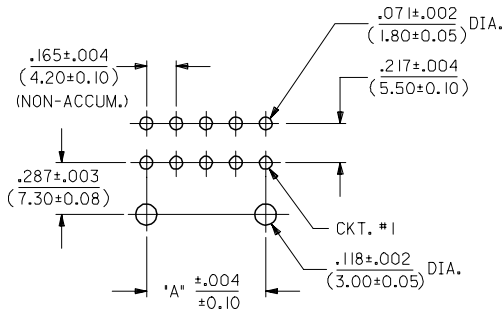


NOTES:

- HOUSING MATERIAL: "1" = NYLON 6/6, U.L. 94V-2
COLOR: NATURAL.
"2" = NYLON 6/6, U.L. 94V-0
COLOR: NATURAL.
- TERMINAL MATERIAL: BRASS, ALLOY 260.
- 4-24 CKT. PARTS MATE WITH MINI-FIT JR. RECEPTACLES #5557, #42385 AND #42474. 2 CKT. PART MATES WITH #42385 AND #42474 ONLY.
- PART ALLOWS FOR UP TO .100/(2.54) MISALIGNMENT WITH MATING RECEPTACLE IN ANY DIRECTION. SEE MATING CONNECTOR DRAWINGS FOR SPECIFIC ALLOWANCES.
- PART IS DESIGNED IN METRIC.
- TERMINAL PLATING:
 - .000100/(.00254) MIN. BRIGHT TIN OVER .000050/(.00127) MIN. NICKEL.
 - .000030/(.00076) MIN. GOLD OVER .000050/(.00127) MIN. NICKEL.
 - .000100/(.00254) MIN. MATTE TIN OVER .000050/(.00127) MIN. NICKEL.
 - .000050/(.00127) MIN. GOLD OVER .000050/(.00127) MIN. NICKEL.
- THE PRIMARY SHIPPING CARTON WILL BE LABELED "COMPLIANT TO RoHS DIRECTIVE 2002/95/EC AND ELV ANNEX II OF DIRECTIVE 2000/53/EC". CARTONS WITHOUT THIS LABEL MAY CONTAIN PRODUCT WITH TIN-LEAD PLATING.
- PRODUCT SPECIFICATION AND PROCESSING PARAMETERS SEE: PS-5556-002
- CONNECTOR ASSEMBLIES ARE NOT TO BE MATED OR UNMATED WHILE CIRCUITS ARE LIVE.



A-43644-****



RECOMMENDED HOLE LAYOUT FOR
.093/(2.36) MAX. THICK P.C. BOARD
(SEE NOTE 5.)

LEGEND:

A-43644-****

BASE NUMBER: _____

CKT. SIZE: (02-24) _____

HOUSING MAT'L: (SEE NOTE 1) _____

TERMINAL PLATING: (SEE NOTE 6) _____

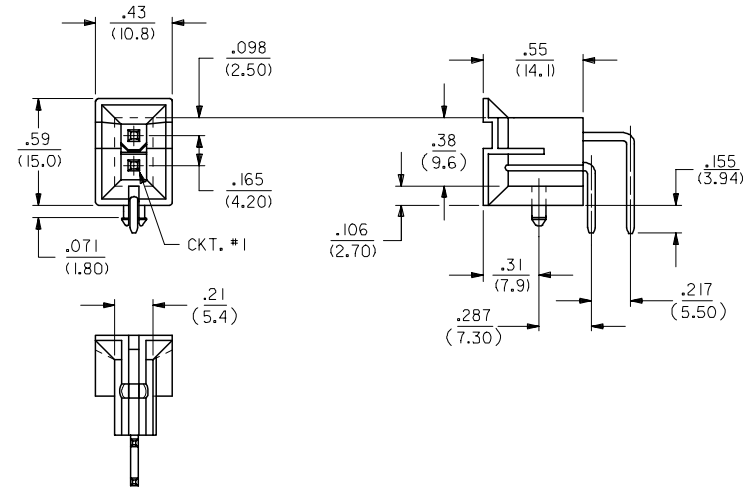
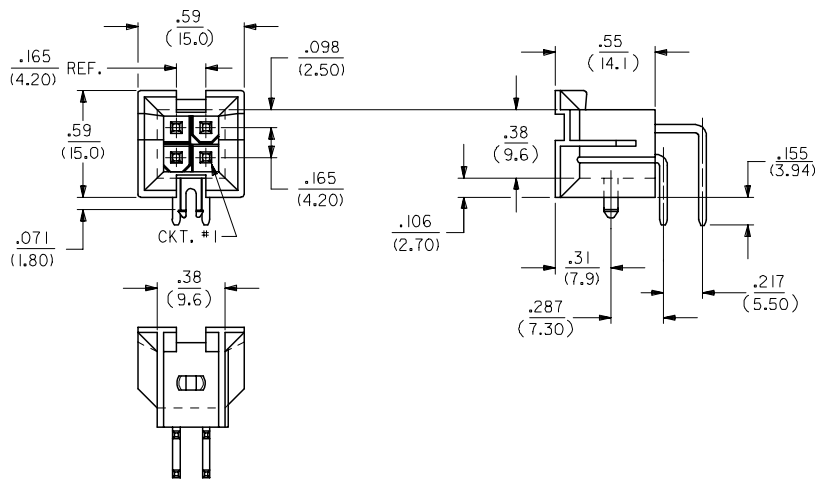
---	**22, _**24	42474-***21, 5556-PBGS*P	94V-0	PHOS. BRZ.	GOLD
---	**12, _**14	42474-***11, 5556-PBGS*P	94V-2		TIN
---	**21, _**23	42474-***21, 5556-PBS*P	94V-0	BRASS	GOLD
---	**11, -**13	42474-***11, 5556-PBS*P	94V-2		TIN
---	**22, _**24	42474-***21, 5556-GS*P	94V-0	PHOS. BRZ.	GOLD
---	**12, _**14	42474-***11, 5556-GS*P	94V-2		TIN
---	**21, _**23	42474-***21, 5556-S*P	94V-0	BRASS	GOLD
---	**11, -**13	42474-***11, 5556-S*P	94V-2		TIN
---	**22, _**24	A-42385-**D2	94V-0	PHOS. BRZ.	GOLD
---	**12, _**14	A-42385-**C2	94V-2		TIN
---	**21, _**23	A-42385-**D1	94V-0	BRASS	GOLD
---	**11, -**13	A-42385-**C1	94V-2		TIN
---	**22, _**24	A-42385-**B2	94V-0	PHOS. BRZ.	GOLD
---	**12, _**14	A-42385-**A2	94V-2		TIN
---	**21, _**23	A-42385-**B1	94V-0	BRASS	GOLD
---	**11, -**13	A-42385-**A1	94V-2		TIN
R.A. HEADER	A-43644	MATING CONNECTOR	HSG. MAT'L.	TERM. MAT'L.	PLATING
		MATING CONNECTOR FEATURES			

UPDATE ME10 TITLE EC NO: UCP2005-2348 DRW:ADATNOL 2005/05/02 CHKD:POLGAR 2005/05/02 APPR:YMARGULLI 2005/05/03	QUALITY SYMBOLS 	GENERAL TOLERANCES (UNLESS SPECIFIED)		DIMENSION STYLE IN/MM		SCALE 2:1	DESIGN UNITS METRIC	THIRD ANGLE PROJECTION
		4 PLACES ± --- ± --- 3 PLACES ± --- ± --- 2 PLACES ± 0.25 ± .015 1 PLACE ± 0.38 ± --- ANGULAR ±1/2°	DRAWN BY DATE KSM 1995/12/15 CHECKED BY DATE SF 1995/12/15 APPROVED BY DATE SF 1995/12/15	TITLE MINI-FIT JR. RIGHT ANGLE HEADER ASSY EXTEND TAIL (BLIND-MATE)			MATERIAL NO. SDA-43644-0001	DOCUMENT NO. SDA-43644-0001
DRAFT WHERE APPLICABLE MUST REMAIN WITHIN DIMENSIONS		SEE SHEET 3			MOLEX INCORPORATED			
THIS DRAWING CONTAINS INFORMATION THAT IS PROPRIETARY TO MOLEX INCORPORATED AND SHOULD NOT BE USED WITHOUT WRITTEN PERMISSION								

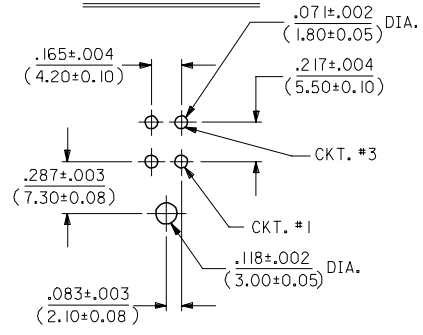
13 12 11 10 9 8 7 6 5 4 3 2 1

J
I
H
G
F
E
D
C
B
A

J
I
H
G
F
E
D
C
B
A

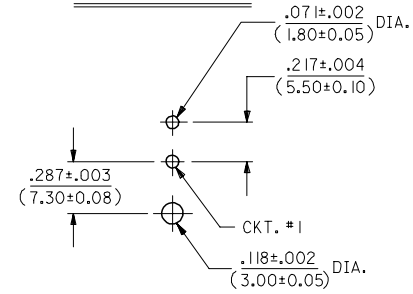


A-43644-04**



RECOMMENDED HOLE LAYOUT FOR
.093/(2.36) MAX. THICK P.C. BOARD
(SEE NOTE 5 SHT. 1)

A-43644-02**



RECOMMENDED HOLE LAYOUT FOR
.093/(2.36) MAX. THICK P.C. BOARD
(SEE NOTE 5 SHT. 1)

ME10 TITELBLOCK FC NO: UCP2005-23/48 DRW:ADRATNOL 2005/05/02 CHK:D.POLGAR 2005/05/02 APPR:YMARGULLI 2005/05/03 REV D	QUALITY SYMBOLS ▽=0 ▽=0	GENERAL TOLERANCES (UNLESS SPECIFIED) <table border="1"> <thead> <tr> <th></th> <th>mm</th> <th>INCH</th> </tr> </thead> <tbody> <tr> <td>4 PLACES</td> <td>± .---</td> <td>± .---</td> </tr> <tr> <td>3 PLACES</td> <td>± .---</td> <td>± .010</td> </tr> <tr> <td>2 PLACES</td> <td>± 0.25</td> <td>± .015</td> </tr> <tr> <td>1 PLACE</td> <td>± 0.38</td> <td>± .---</td> </tr> <tr> <td colspan="3">ANGULAR ±1/2°</td> </tr> </tbody> </table>		mm	INCH	4 PLACES	± .---	± .---	3 PLACES	± .---	± .010	2 PLACES	± 0.25	± .015	1 PLACE	± 0.38	± .---	ANGULAR ±1/2°			DIMENSION STYLE IN/MM	SCALE 2:1	DESIGN UNITS METRIC	THIRD ANGLE PROJECTION
		mm	INCH																					
	4 PLACES	± .---	± .---																					
	3 PLACES	± .---	± .010																					
2 PLACES	± 0.25	± .015																						
1 PLACE	± 0.38	± .---																						
ANGULAR ±1/2°																								
DRAWN BY DATE KSM 1995/12/15		CHECKED BY DATE SF 1995/12/15		TITLE MINI-FIT JR. RIGHT ANGLE HEADER ASSY EXTEND TAIL (BLIND-MATE)																				
APPROVED BY DATE SF 1995/12/15		MATERIAL NO. SEE SHEET 3		DOCUMENT NO. SDA-43644-0001		SHEET NO. 2																		
DRAFT WHERE APPLICABLE MUST REMAIN WITHIN DIMENSIONS							THIS DRAWING CONTAINS INFORMATION THAT IS PROPRIETARY TO MOLEX INCORPORATED AND SHOULD NOT BE USED WITHOUT WRITTEN PERMISSION																	

12 11 10 9 8 7 6 5 4 3 2 1

		J		I		H		G		F		E		D		C		B		A	
		PLATING (NOTE 6)		HOUSING MATERIAL		CKT. SIZE		ITEM NUMBER		HOUSING MATERIAL		PLATING (NOTE 6)		ITEM NUMBER		HOUSING MATERIAL		PLATING (NOTE 6)		ITEM NUMBER	
13			MATTE TIN OVER NICKEL	94V-2	2	43644-0213				94V-2	2	43644-0211									
12					4	-0413					4	-0411									
11					6	-0613					6	-0611									
10					8	-0813					8	-0811									
9					10	-1013					10	-1011									
8					12	-1213					12	-1211									
7					14	-1413					14	-1411									
6					16	-1613					16	-1611									
5					18	-1813					18	-1811									
4					20	-2013					20	-2011									
3					22	-2213					22	-2211									
2			MATTE TIN OVER NICKEL	94V-2	24	43644-2413				94V-2	24	43644-2411									
1					2	43644-0214					2	43644-0212									
					4	-0414					4	-0412									
					6	-0614					6	-0612									
					8	-0814					8	-0812									
					10	-1014					10	-1012									
					12	-1214					12	-1212									
					14	-1414					14	-1412									
					16	-1614					16	-1612									
					18	-1814					18	-1812									
					20	-2014					20	-2012									
					22	-2214					22	-2212									
					24	43644-2414					24	43644-2412									
					2	43644-0224					2	43644-0221									
					4	-0424					4	-0421									
					6	-0624					6	-0621									
					8	-0824					8	-0821									
					10	-1024					10	-1021									
					12	-1224					12	-1221									
					14	-1424					14	-1421									
					16	-1624					16	-1621									
					18	-1824					18	-1821									
					20	-2024					20	-2021									
					22	-2224					22	-2221									
					24	43644-2424					24	43644-2421									
					2	43644-0224					2	43644-0222									
					4	-0424					4	-0422									
					6	-0624					6	-0622									
					8	-0824					8	-0822									
					10	-1024					10	-1022									
					12	-1224					12	-1222									
					14	-1424					14	-1422									
					16	-1624					16	-1622									
					18	-1824					18	-1822									
					20	-2024					20	-2022									
					22	-2224					22	-2222									
					24	43644-2424					24	43644-2422									
					2	43644-0224					2	43644-0222									
					4	-0424					4	-0422									
					6	-0624					6	-0622									
					8	-0824					8	-0822									
					10	-1024					10	-1022									
					12	-1224					12	-1222									
					14	-1424					14	-1422									
					16	-1624					16	-1622									
					18	-1824					18	-1822									
					20	-2024					20	-2022									
					22	-2224					22	-2222									
					24	43644-2424					24	43644-2422									
					2	43644-0224					2	43644-0222									
					4	-0424					4	-0422									
					6	-0624					6	-0622									
					8	-0824					8	-0822									
					10	-1024					10	-1022									
					12	-1224					12	-1222									
					14	-1424					14	-1422									
					16	-1624					16	-1622									
					18	-1824					18	-1822									
					20	-2024					20	-2022									
					22	-2224					22	-2222									
					24	43644-2424					24	43644-2422									
					2	43644-0224					2	43644-0222									
					4	-0424					4	-0422									
					6	-0624					6	-0622									
					8	-0824					8	-0822									
					10	-1024					10	-1022									
					12	-1224					12	-1222									
					14	-1424					14	-1422									
					16	-1624					16	-1622									
					18	-1824					18	-1822									
					20	-2024					20	-2022									
					22	-2224					22	-2222									
					24	43644-2424					24	43644-2422									
					2	43644-0224					2	43644-0222									
					4	-0424					4	-0422									
					6	-0624					6	-0622									
					8	-0824					8	-0822									
					10	-1024					10	-1022									
					12	-1224															