

PLEASE CHECK WWW.MOLEX.COM FOR LATEST PART INFORMATION

Part Number: **0470531000**
Status: **Active**
Description: 2.54mm (.100") Pitch KK® Vertical Header, with Friction Lock, 4 Circuits, PC Tail Length: 3.50mm (.138")

Documents:

[3D Model](#) [Product Specification PS-47053-001 \(PDF\)](#)
[Drawing \(PDF\)](#) [RoHS Certificate of Compliance \(PDF\)](#)

General

Product Family PCB Headers
 Series [47053](#)
 Application Wire-to-Board
 Product Name KK®

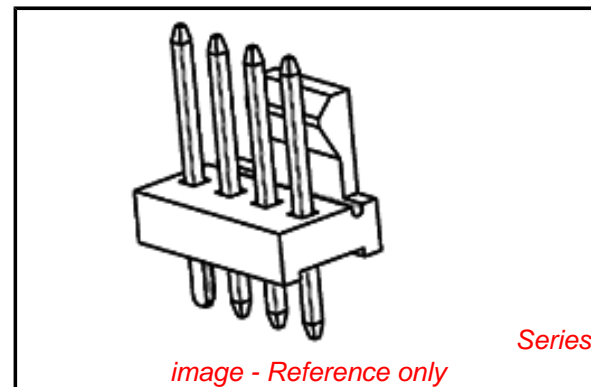
Physical

Breakaway No
 Circuits (Loaded) 4
 Circuits (maximum) 4
 Durability (mating cycles max) 25
 First Mate / Last Break No
 Glow-Wire Compliant No
 Guide to Mating Part No
 Keying to Mating Part None
 Lock to Mating Part Yes
 Material - Metal Copper Alloy
 Material - Plating Mating Tin
 Material - Plating Termination Copper
 Number of Rows 1
 Orientation Vertical
 PC Tail Length (in) 0.138 In
 PC Tail Length (mm) 3.50 mm
 PCB Locator Yes
 PCB Retention None
 Packaging Type Bag
 Pitch - Mating Interface (in) 0.100 In
 Pitch - Mating Interface (mm) 2.54 mm
 Pitch - Term. Interface (in) 0.100 In
 Pitch - Term. Interface (mm) 2.54 mm
 Plating min: Mating (µin) 200
 Plating min: Mating (µm) 5
 Plating min: Termination (µin) 200
 Plating min: Termination (µm) 5
 Polarized to Mating Part Yes
 Polarized to PCB Yes
 Shrouded No
 Stackable No
 Surface Mount Compatible (SMC) No
 Temperature Range - Operating 0°C to +75°C
 Termination Interface: Style Through Hole

Electrical

Current - Maximum per Contact 4A
 Voltage - Maximum 250V

Material Info



EU RoHS

ELV and RoHS Compliant
REACH SVHC Contains SVHC: No
Halogen-Free Status

China RoHS



Need more information on product environmental compliance?

Email productcompliance@molex.com
 For a multiple part number RoHS Certificate of Compliance, [click here](#)

Please visit the [Contact Us](#) section for any non-product compliance questions.

Search Parts in this Series

[47053Series](#)

Mates With

KK® Crimp Terminal Housing [2695](#) , [7880](#)

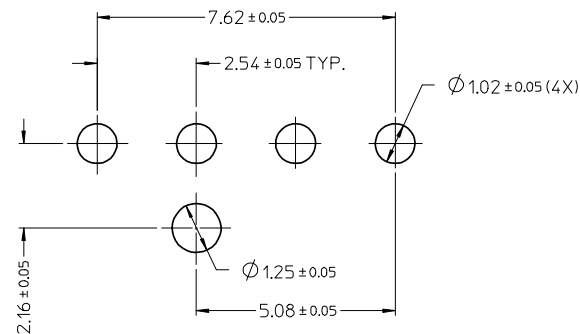
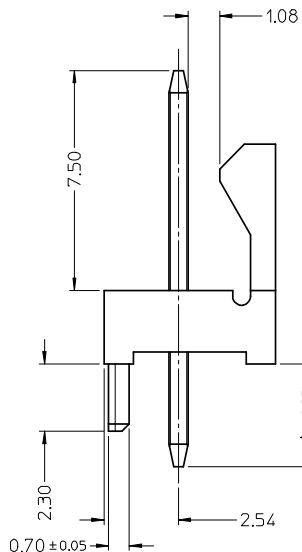
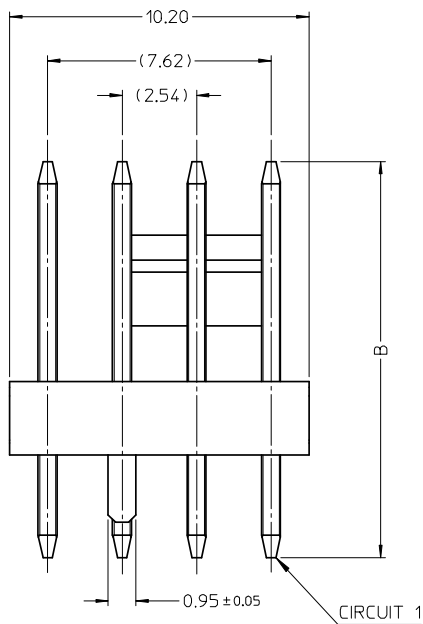
Reference - Drawing Numbers

Product Specification
Sales Drawing

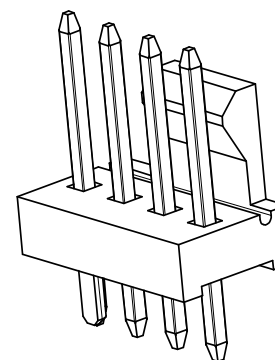
PS-47053-001
SD-47053-001

This document was generated on 03/24/2010

PLEASE CHECK WWW.MOLEX.COM FOR LATEST PART INFORMATION



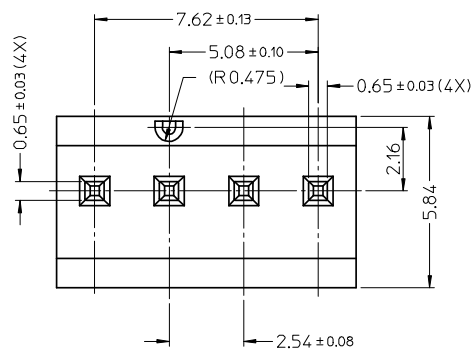
RECOMMENDER PCB LAYOUT



P/N	DIM	A	B
47053-1000		3.50	13.50
47053-3000		4.00	14.00

NOTES:

1. MATERIAL: HOUSING: NYLON, UL94V-0. COLOR: IVORY.
PIN: COPPER ALLOY.
2. PLATING: 100 MICROINCH MINIMUM TIN OVER 50 MICROINCH MINIMUM COPPER.
3. PIN PUSH OUT FORCE: 0.91Kgf.
4. PARTS CONFORM TO PRODUCT SPEC PS-47053-001.



ADD P/N EC NO: SH2008-0411 DRWN: DHU 2008/02/20 CHKD: ROST 2008/02/21 APPR: HWANG 2008/02/26	QUALITY SYMBOLS	GENERAL TOLERANCES (UNLESS SPECIFIED)		SCALE 1:1	DESIGN UNITS METRIC	THIRD ANGLE PROJECTION	REVISE ON CAD ONLY	
	DESCRIPTION ▽ = 0 ▽ = 0	mm	INCH	DIMENSION STYLE MM ONLY		TITLE		
		4 PLACES ± ---	± ---	DRAWN BY RZHANG DATE 2003/10/31		4 PIN HEADER HOUSING WITH FRICTION LOCK		
		3 PLACES ± ---	± ---	CHECKED BY HJYIN DATE 2003/10/31				
2 PLACES ± 0.2	± ---	APPROVED BY SHUANG DATE 2003/10/31		MATERIAL NO. SEE TABLE				
1 PLACE ± 0.25	± ---	DRAFT WHERE APPLICABLE MUST REMAIN WITHIN DIMENSIONS		DOCUMENT NO. SD-47053-001		SHEET NO. 1 OF 1		
REV B	THIS DRAWING CONTAINS INFORMATION THAT IS PROPRIETARY TO MOLEX INCORPORATED AND SHOULD NOT BE USED WITHOUT WRITTEN PERMISSION						B	