

**PLEASE CHECK WWW.MOLEX.COM FOR LATEST PART INFORMATION**

**Part Number:** [0520890919](#)  
**Status:** **Active**  
**Overview:**  
**Description:** 1.00mm (.039") Pitch FFC/FPC Connector, Through-Hole, Right Angle, Low Profile, ZIF, Top Contact Style Receptacle, 9 Circuits, Lead-free

**General**

|                |                     |
|----------------|---------------------|
| Product Family | FFC/FPC Connectors  |
| Series         | 52089               |
| Overview       | ffc_fpc_throughhole |
| Product Name   | N/A                 |

**Physical**

|                                |                  |
|--------------------------------|------------------|
| Circuits (Loaded)              | 9                |
| Color - Resin                  | Natural          |
| Contact Position               | Top              |
| Durability (mating cycles max) | 20               |
| Entry Angle                    | 90° Angle        |
| Mated Height (in)              | 0.118 In         |
| Mated Height (mm)              | 3.00 mm          |
| Material - Metal               | Phosphor Bronze  |
| Material - Plating Mating      | Tin-Bismuth      |
| Material - Plating Termination | Tin-Bismuth      |
| Material - Resin               | Nylon, Polyester |
| Number of Rows                 | 1                |
| Orientation                    | Right Angle      |
| PC Tail Length (in)            | 0.079 In         |
| PC Tail Length (mm)            | 2.00 mm          |
| PCB Retention                  | None             |
| PCB Thickness Recommended (in) | 0.024 In         |
| PCB Thickness Recommended (mm) | 0.60 mm          |
| Packaging Type                 | Tray             |
| Pitch - Mating Interface (in)  | 0.039 In         |
| Pitch - Mating Interface (mm)  | 1.00 mm          |
| Plating min: Mating (µin)      | 40               |
| Plating min: Mating (µm)       | 1                |
| Plating min: Termination (µin) | 40               |
| Plating min: Termination (µm)  | 1                |
| Polarized to PCB               | No               |
| Stackable                      | No               |
| Surface Mount Compatible (SMC) | No               |
| Temperature Range - Operating  | -20°C to +80°C   |
| Termination Interface: Style   | Through Hole     |
| Wire/Cable Type                | FFC/FPC          |

**Electrical**

|                               |                  |
|-------------------------------|------------------|
| Current - Maximum per Contact | 0.2A, 0.4A, 0.5A |
| Voltage - Maximum             | 50V              |

**Material Info**

**Reference - Drawing Numbers**

|                         |  |
|-------------------------|--|
| Packaging Specification | SPK-52089-001                              |
| Product Specification   | PS-52089-013, RPS-52089-011, RPS-52089-014 |
| Sales Drawing           | SD-52089-001                               |

**EU RoHS**

**ELV and RoHS  
Compliant**

**REACH SVHC**

Not Reviewed

**Halogen-Free**

**Status**

**Not Reviewed**

**China RoHS**



**Need more information on product  
environmental compliance?**

Email [productcompliance@molex.com](mailto:productcompliance@molex.com)  
 For a multiple part number RoHS Certificate of  
 Compliance, [click here](#)

Please visit the [Contact Us](#) section for any  
 non-product compliance questions.

**Search Parts in this Series**

52089Series

This document was generated on 06/04/2010

**PLEASE CHECK [WWW.MOLEX.COM](http://WWW.MOLEX.COM) FOR LATEST PART INFORMATION**

10 9 8 7 6 5 4 3 2 1

F

E

D

C

B

A

F

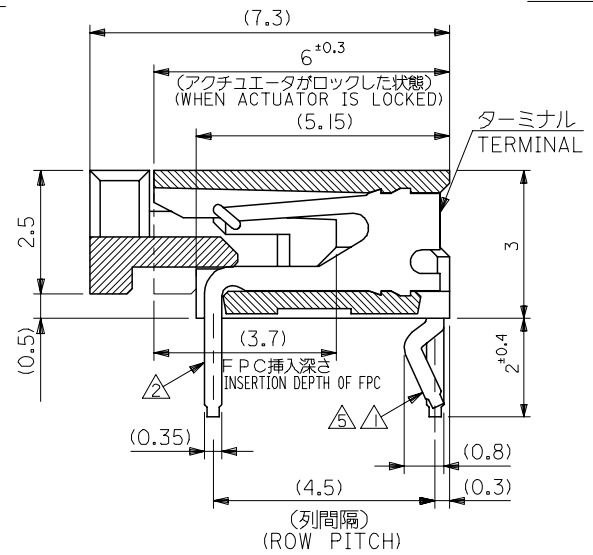
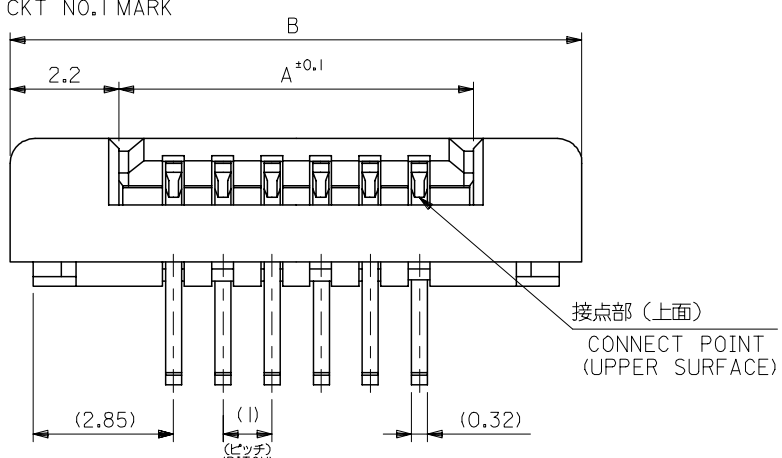
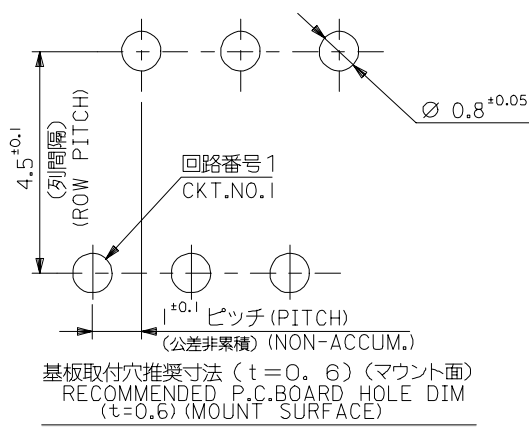
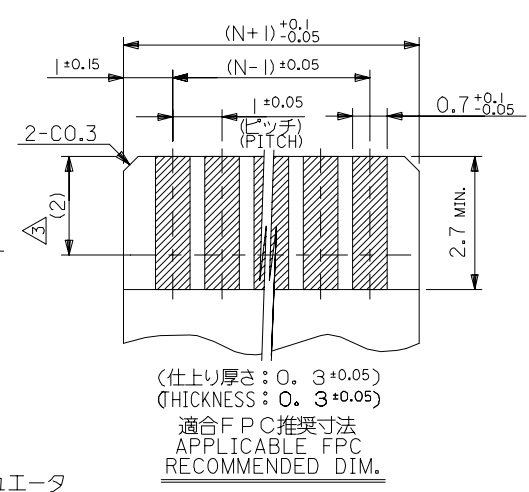
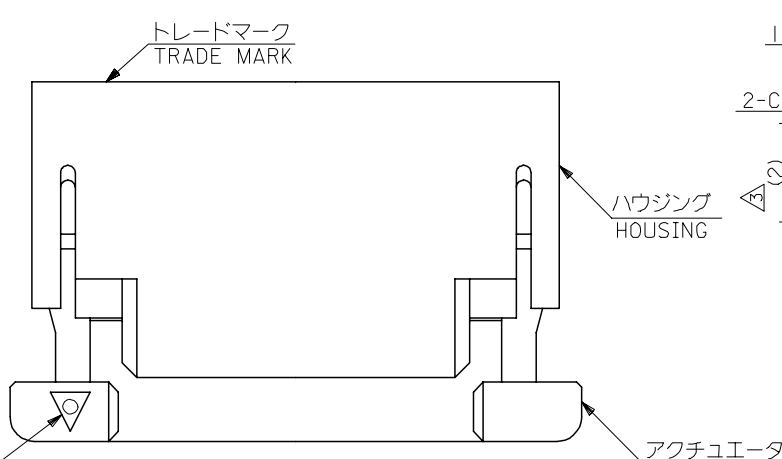
E

D

C

B

A



|      |      |              |            |
|------|------|--------------|------------|
| 35.6 | 31.2 | 52089-3019   | 30         |
| 34.6 | 30.2 | -2919        | 29         |
| 33.6 | 29.2 | -2819        | 28         |
| 32.6 | 28.2 | -2719        | 27         |
| 31.6 | 27.2 | -2619        | 26         |
| 30.6 | 26.2 | -2519        | 25         |
| 29.6 | 25.2 | -2419        | 24         |
| 28.6 | 24.2 | -2319        | 23         |
| 27.6 | 23.2 | -2219        | 22         |
| 26.6 | 22.2 | -2119        | 21         |
| 25.6 | 21.2 | -2019        | 20         |
| 24.6 | 20.2 | -1919        | 19         |
| 23.6 | 19.2 | -1819        | 18         |
| 22.6 | 18.2 | -1719        | 17         |
| 21.6 | 17.2 | -1619        | 16         |
| 20.6 | 16.2 | -1519        | 15         |
| 19.6 | 15.2 | -1419        | 14         |
| 18.6 | 14.2 | -1319        | 13         |
| 17.6 | 13.2 | -1219        | 12         |
| 16.6 | 12.2 | -1119        | 11         |
| 15.6 | 11.2 | -1019        | 10         |
| 14.6 | 10.2 | -0919        | 9          |
| 13.6 | 9.2  | -0819        | 8          |
| 12.6 | 8.2  | -0719        | 7          |
| 11.6 | 7.2  | -0619        | 6          |
| 10.6 | 6.2  | -0519        | 5          |
| 9.6  | 5.2  | 52089-0419   | 4          |
| B    | A    | MATERIAL NO. | 極数<br>CKT. |

**注記 NOTES**

△ CKT. NO. 1 を基準に偶数番目のソルダーテール。  
EVEN NUMBER SOLDER TAIL

△ CKT. NO. 1 を基準に奇数番目のソルダーテール。  
ODD NUMBER SOLDER TAIL

△ 接点部までの嵌合長さ。  
LENGTH TO CONTACT POINT.

4. 使用材料 MATERIAL

ハウジング : 66ナイロン, UL94V-0  
HOUSING : 66NYLON, UL94V-0

アクチュエータ : ポリエステル, UL94V-0  
ACTUATOR : POLYESTER, UL94V-0

ターミナル : リン青銅, ニッケル下地 錫・ヒスマスメッキ  
TERMINAL : PHOS-BRO. TIN-BISMUTM OVER NICKEL-PLATED

△ キングはソルダーテール△の両端のみに適用。  
KINK APPLIES BOTH SIDE △ TERMINALS ONLY

6. 本製品は 52089-\*\*10 の鉛フリー品である。  
THIS PRODUCT IS LEAD FREE OF 52089-\*\*10.

|  |   |  |       |                            |                   |                               |                        |                        |  |  |
|--|---|--|-------|----------------------------|-------------------|-------------------------------|------------------------|------------------------|--|--|
| REVISED<br>EC NO: J2005-0258<br>DRWN: SASAMOR<br>CHKD: TOJO<br>APPR: NUKITA  | DESCRIPTION<br>2004/07/22<br>2004/07/22<br>2004/07/28 | GENERAL TOLERANCES (UNLESS SPECIFIED)                      |       | DIMENSION STYLE<br>MM ONLY |                   | SCALE<br>10:1                 | DESIGN UNITS<br>METRIC | THIRD ANGLE PROJECTION |  |  |
|  |   | 10 UNDER   | ±0.2  | DRAWN BY<br>J. SASAMO      | DATE<br>2004/7/22 | TITLE<br>1.0 FPC CONN ZIF R/A |                        |                        |  |  |
|  |   | 10 OVER 30 UNDER   | ±0.25 | CHECKED BY<br>K. TOJO      | DATE<br>2004/7/22 | -LEAD FREE-                   |                        |                        |  |  |
|  |   | 30 OVER  | ±0.3  | APPROVED BY<br>N. UKITA    | DATE<br>2004/7/22 | MOLEX INCORPORATED            |                        |                        |  |  |
| ANGULAR ±3 °   |   | DRAFT WHERE APPLICABLE<br>MUST REMAIN<br>WITHIN DIMENSIONS |       | MATERIAL NO.<br>52089-**19 |                   | DOCUMENT NO.<br>SD-52089-001  |                        | SHEET NO.<br>1 OF 1    |  |  |
| SIZE<br>A3 THIS DRAWING CONTAINS INFORMATION THAT IS PROPRIETARY TO MOLEX INCORPORATED AND SHOULD NOT BE USED WITHOUT WRITTEN PERMISSION |   |  |       |                            |                   |                               |                        |                        |  |  |