

SURGE PROTECTION DEVICES

SHIELD  
1000pF  
2KV

- TRD4- (P9)
- TRCT4 (P7)
- TRD4+ (P8)
- TRD3- (P2)
- TRCT3 (P1)
- TRD3+ (P3)
- TRD2- (P5)
- TRCT2 (P6)
- TRD2+ (P4)
- TRD1- (P10)
- TRCT1 (P12)
- TRD1+ (P11)

ELECTRICAL SPECIFICATIONS:

OPERATING TEMP RANGE: -40° TO 85°C

1.0 TURNS RATIO: (P10-P11) : (J2-J1)

(P5-P4) : (J6-J3)

(P2-P3) : (J5-J4)

(P9-P8) : (J8-J7)

- : 1 : 1 ±2%
- : 1 : 1 ±2%
- : 1 : 1 ±2%
- : 1 : 1 ±2%

NOTES:  
DESIGNED TO PROTECT  
AGAINST GR1089  
INTRABUILDING AND  
ESD SURGES.

THIS DRAWING AND THE SUBJECT MATTER SHOWN THEREON ARE CONFIDENTIAL AND PROPERTY OF BEL STEWART CONNECTOR AND SHALL NOT BE REPRODUCED, COPIED, OR USED IN ANY MANNER WITHOUT PRIOR WRITTEN CONTENT OF BEL STEWART CONNECTOR. THE SUBJECT MATTER MAY BE PATENTED OR A PATENT MAY BE PENDING.

Bel Stewart Connector  
11118 Susquehanna Trail, South  
Glen Rock, Pa 17327-9199  
717.234.7512  
<http://www.stewartconnector.com>

**MagJack**

SHEET 1 OF 4 DRAWING NO. SI-53015 REV. X3

- 2.0 DC RESISTANCE  
(J8-J7); (J6-J3); (J5-J4); (J2-J1) : 1.2 OHMS MAX.
- 3.0 INDUCTANCE: (P2-P3) ; (P5-P4) : 350 uH MIN. @ 0.1V, 100KHz, 8 mA DC BIAS  
(P10-P11) ; (P9-P8) : 350 uH MIN. @ 0.1V, 100KHz, 8 mA DC BIAS
- 4.0 RETURN LOSS: 1MHz TO 30MHz : -19dB MIN.  
30MHz TO 60MHz : -13dB MIN.  
60MHz TO 80MHz : -12dB MIN.  
80MHz TO 100MHz : -10dB MIN.
- 5.0 INSERTION LOSS: RS=RL=100 ohms : -1.1 dB TYP  
100KHz TO 125MHz
- 6.0 CROSS TALK: 1-100 MHz : -[33-20 LOG (  $\frac{F}{50 \text{ MHz}}$  ) ] MIN.
- 7.0 COMMON TO COMMON MODE ATTENUATION: 1MHz TO 100MHz : -35dB TYP
- 8.0 RISE TIME: RS=100 OHMS AND RL = 100 OHMS : 3.0 nS MAX  
OUTPUT VOLTAGE = 1 V peak : 3.0 nS MAX  
PULSE WIDTH= 112ns
- 9.0 DIELECTRIC WITHSTAND: (J1,J2) TO (P11,P10) ; (J4,J5) TO (P3-P2) : 1500 VAC  
(J3,J6) TO (P4,P5) ; (J7,J8) TO (P8, P9) : 1500 VAC

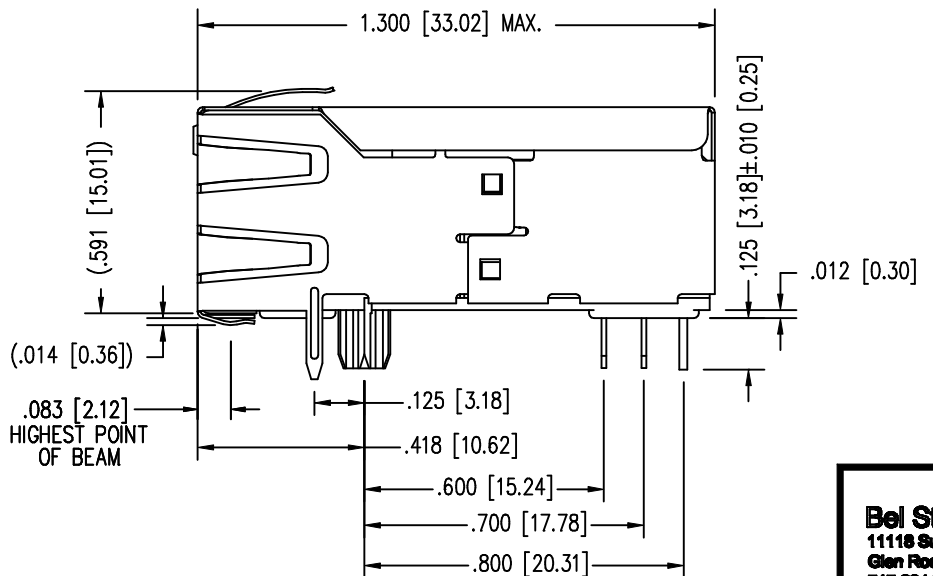
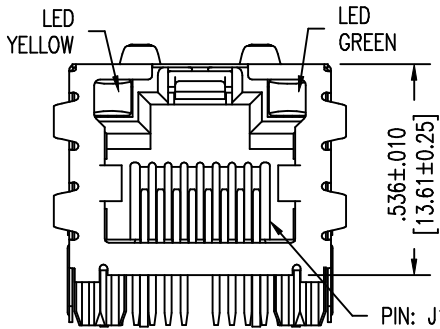
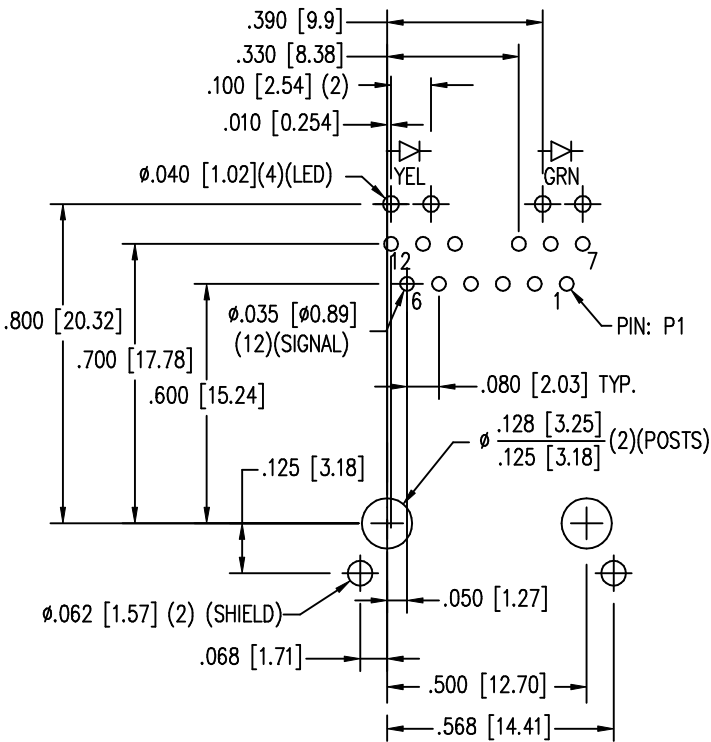
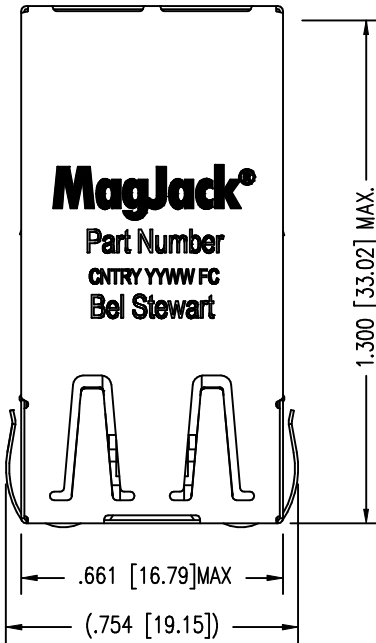
THIS DRAWING AND THE SUBJECT MATTER SHOWN THEREON ARE CONFIDENTIAL AND PROPERTY OF BEL STEWART CONNECTOR AND SHALL NOT BE REPRODUCED, COPIED, OR USED IN ANY MANNER WITHOUT PRIOR WRITTEN CONSENT OF BEL STEWART CONNECTOR. THE SUBJECT MATTER MAY BE PATENTED OR A PATENT MAY BE PENDING.

Bel Stewart Connector  
11118 Susquehanna Trail, South  
Glen Rock, Pa 17327-9199  
717.234.7512  
<http://www.stewartconnector.com>



**MagJack®**

Part Number  
C NTRY YYWW FC  
Bel Stewart



NOTES:

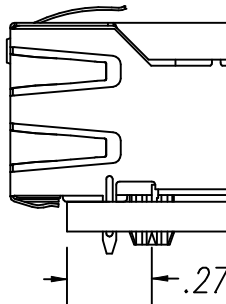
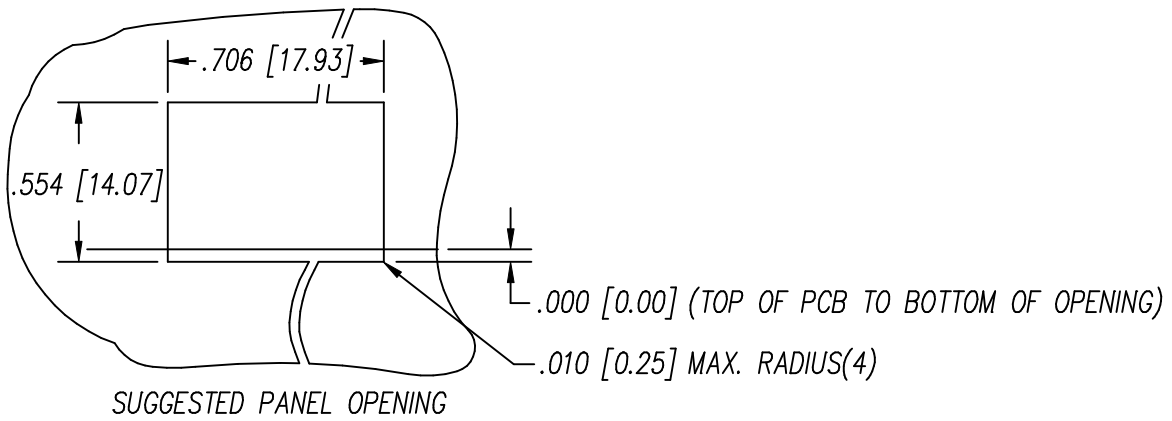
- CONNECTOR MAT...  
HOUSING: THER...  
CONTACT/SHIELD...  
SHIELD PLATING:  
CONTACT PLATING
- PIN NOT ELECTR...  
SEE ELECTRICAL
- TOLERANCES CO...
- THE SUGGESTED...  
USER THE ABILIT...  
CLEARANCES, YE...
- SOLDER REFLOW

STANDARD LED
YELLOW
GREEN

\* WITH A FOR...

THIS DRAWING AND THE SUBJECT MATTER SHOWN THEREON ARE CONFIDENTIAL AND PROPERTY OF BEL STEWART CONNECTOR AND SHALL NOT BE REPRODUCED, COPIED, OR USED IN ANY MANNER WITHOUT PRIOR WRITTEN CONTENT OF BEL STEWART CONNECTOR. THE SUBJECT MATTER MAY BE PATENTED OR A PATENT MAY BE PENDING.

**Bel Stewart C**  
 11118 Susquehanna  
 Glen Rock, Pa. 17322  
 717.234.7512



THE SUGGESTED  
TO GIVE THE USE  
REASONABLE JAC  
YET MAINTAIN RE  
CAPABILITY.