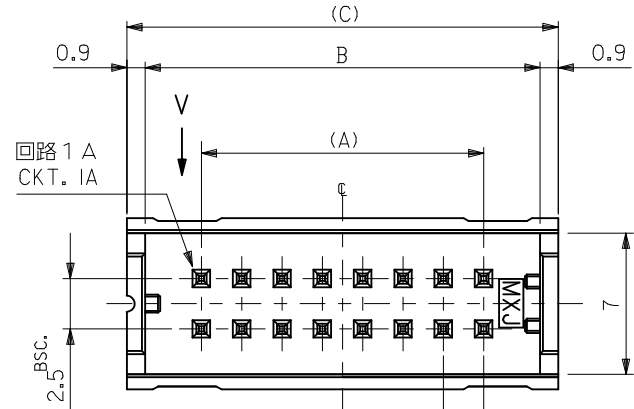


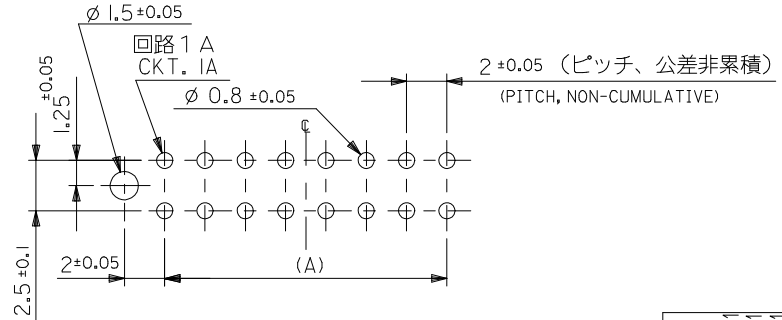
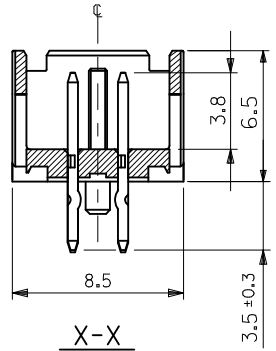
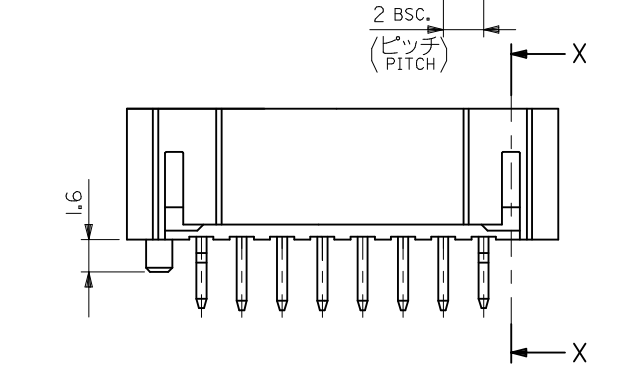
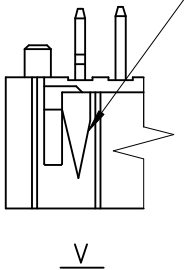
注記  
NOTES

- 材料:  
MATERIALS:  
ウエハー : ホリアミド、ガラス充填、UL94V-0、色: グレー  
WAFER : PA, GLASS FILLED, UL94V-0, COLOR: GRAY  
ピン : 黄銅、スズメッキ  
PIN : BRASS, PRE-TINNED
- 適合メスコネクター : 51089-\*\*\*5, 52478-\*\*\*15, 52484-\*\*\*15  
MATING CONNECTOR  
適合クリップ : 51094-\*\*\*00  
MATING CLIP
- 推奨基板厚 :  
RECOMMENDED PCB THICKNESS : t
- メッキ仕様  
TERMINAL PLATING  
表面メッキ : スズメッキ 1μm MIN.  
SURFACE PLATE : TIN 1μm MIN.  
下地メッキ : ニッケルメッキ 0.5μm MIN.  
UNDER PLATE : NICKEL 0.5μm MIN.
- ELV AND RoHS COMPLIANT.

無鉛  
LEAD FREE



回路1 A表示  
CKT. IA IDENTIFICATION



基板取付穴推奨寸法 (参考)  
RECOMMENDED PCB HOLE DIM.(REF.)

65.4	63.6	58	53313-6065	60
55.4	53.6	48	-5065	50
45.4	43.6	38	-4065	40
39.4	37.6	32	-3465	34
35.4	33.6	28	-3065	30
33.4	31.6	26	-2865	28
31.4	29.6	24	-2665	26
29.4	27.6	22	-2465	24
27.4	25.6	20	-2265	22
25.4	23.6	18	-2065	20
23.4	21.6	16	-1865	18
21.4	19.6	14	-1665	16
19.4	17.6	12	-1465	14
17.4	15.6	10	-1265	12
15.4	13.6	8	-1065	10
13.4	11.6	6	-0865	8
11.4	9.6	4	53313-0665	6
(C)	B	A	TRAY PACKAGE	CKT.
			ORDER NO.	

REVISED EC NO.: J2010-0349 DRWN:TKON 2009/08/31 CHKD:KASAKAWA 2009/08/31 APPR:NUKITA 2009/08/31	GENERAL TOLERANCES (UNLESS SPECIFIED)		DIMENSION STYLE MM ONLY	SCALE 4:1	DESIGN UNITS METRIC	THIRD ANGLE PROJECTION
	10 UNDER	± 0.2	DRAWN BY A. IDA	DATE 2003/05/07	TITLE 2.0 W/B DUAL ROW S/T HEADER ASSY	
	10 OVER 30 UNDER	± 0.25	CHECKED BY J. MIYAZAWA	DATE 2003/05/07	MOLEX INCORPORATED	
	30 OVER	± 0.3	APPROVED BY Y. ITO	DATE 2003/05/07	DOCUMENT NO. SD-53313-002	SHEET NO. 1 OF 1
REV	DESCRIPTION	ANGULAR ± 3 °	MATERIAL NO. SEE CHART	THIS DRAWING CONTAINS INFORMATION THAT IS PROPRIETARY TO MOLEX INCORPORATED AND SHOULD NOT BE USED WITHOUT WRITTEN PERMISSION		
		DRAFT WHERE APPLICABLE MUST REMAIN WITHIN DIMENSIONS	SIZE A3			

MATERIAL 材料  
注記参照  
SEE NOTES