

**PLEASE CHECK WWW.MOLEX.COM FOR LATEST PART INFORMATION**

**Part Number:** [0905721142](#)  
**Status:** **Active**  
**Description:** 2.54mm (.100") Pitch QF-50™ Header, Right Angle, Dual Row, Shrouded, DIN Keying, with Latch/Eject Levers, 14 Circuits, 0.76 µm Gold (Au)

**Documents:**

[3D Model](#) [RoHS Certificate of Compliance \(PDF\)](#)  
[Drawing \(PDF\)](#)

**Agency Certification**

CSA LR19980  
 UL E29179

**General**

Product Family Ribbon Cable / Wire Trap Connectors  
 Series [90572](#)  
 Comments Eject Levers  
 Component Type PCB Header  
 Glow-Wire Compliant No  
 Product Name QF-50™

**Physical**

Circuits (Loaded) 14  
 Circuits (maximum) 14  
 Color - Resin Black  
 Durability (mating cycles max) 300  
 Entry Angle 90° Angle  
 Flammability 94V-0  
 Lock to Mating Part None  
 Material - Metal Brass  
 Material - Plating Mating Gold  
 Material - Plating Termination Tin  
 Material - Resin Polyester  
 Number of Rows 2  
 PCB Locator No  
 PCB Retention None  
 PCB Thickness Recommended (in) 0.062 In  
 PCB Thickness Recommended (mm) 1.60 mm  
 Packaging Type Tray  
 Pitch - Mating Interface (in) 0.100 In  
 Pitch - Mating Interface (mm) 2.54 mm  
 Pitch - Term. Interface (in) 0.100 In  
 Pitch - Term. Interface (mm) 2.54 mm  
 Plating min: Mating (µin) 30.4  
 Plating min: Mating (µm) 0.76  
 Plating min: Termination (µin) 120  
 Plating min: Termination (µm) 3  
 Polarized to Mating Part Yes  
 Polarized to PCB No  
 Shrouded Yes  
 Stackable Yes  
 Surface Mount Compatible (SMC) No  
 Temperature Range - Operating -25°C to +85°C  
 Termination Interface: Style Through Hole  
 Wire Insulation Diameter N/A  
 Wire Size AWG N/A



*image - Reference only*

**EU RoHS** **China RoHS**

**Compliance Status**

**Not Reviewed**

**REACH SVHC**

**Not Reviewed**

**Halogen-Free**

**Status**

**Not Reviewed**

**Need more information on product environmental compliance?**

Email [productcompliance@molex.com](mailto:productcompliance@molex.com)  
 For a multiple part number RoHS Certificate of Compliance, [click here](#)

Please visit the [Contact Us](#) section for any non-product compliance questions.

**Search Parts in this Series**

[90572Series](#)

**Mates With**

[90635 QF-50™ Female Housing](#)

Wire/Cable Type

Ribbon Cable

**Electrical**

Current - Maximum per Contact

1A

Voltage - Maximum

250V

**Material Info**

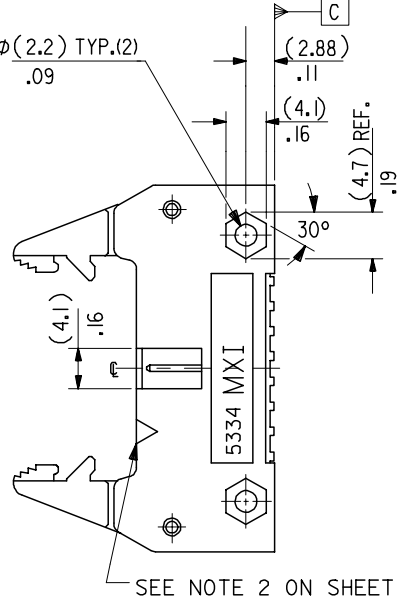
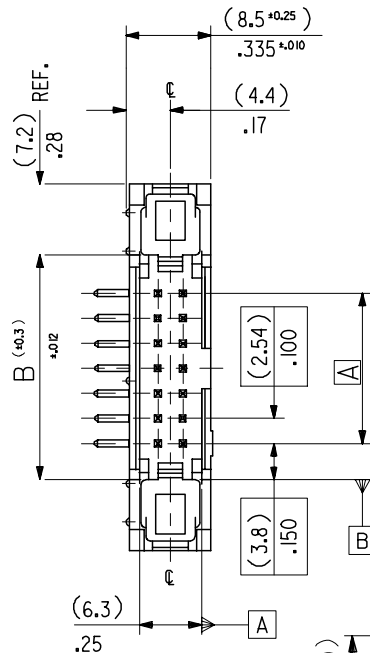
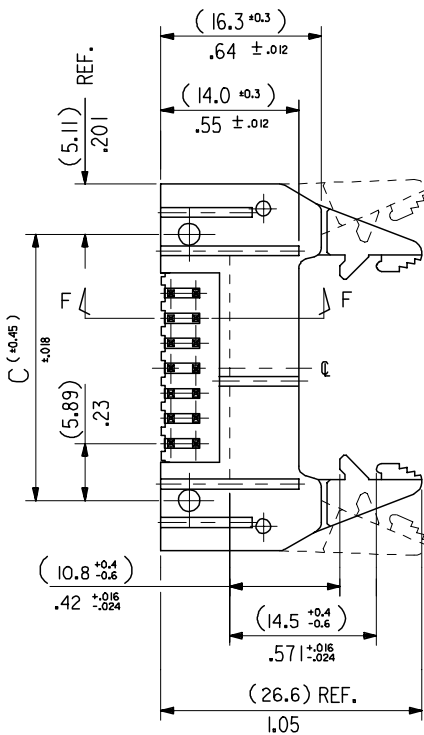
**Reference - Drawing Numbers**

Sales Drawing

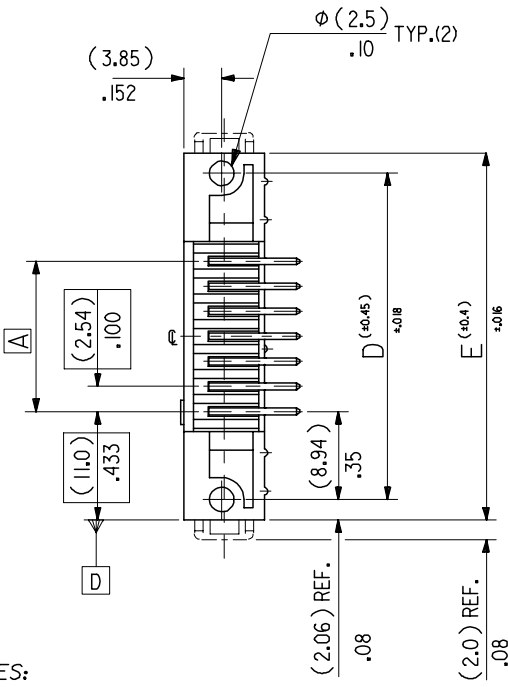
SDA-90572

This document was generated on 06/08/2010

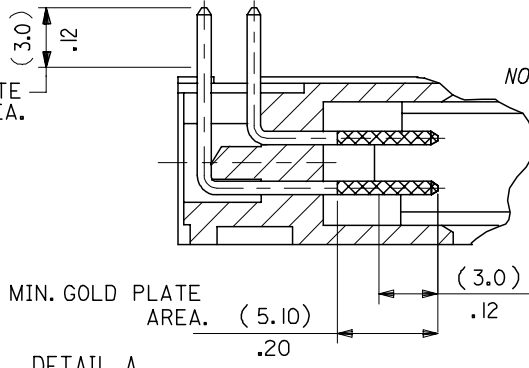
**PLEASE CHECK [WWW.MOLEX.COM](http://WWW.MOLEX.COM) FOR LATEST PART INFORMATION**



SEE NOTE 2 ON SHEET 2.



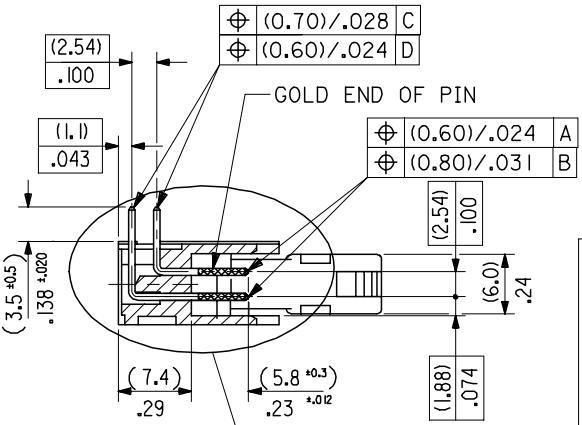
MIN. TIN PLATE AREA. (3.0) REF., (.12)



DETAIL A  
DIMENSIONS FOR SELECTIVE PLATING'S, SCALE 4:1

- NOTES:
- 1: FOR MATERIAL SPECIFICATION SEE NOTE 1 ON SHEET 2.
  - 2: FOR RECOMMENDED P.C.B.HOLE PATTERN, PART NOTS AND UNSTATED DIMENSIONS SEE SHEET 2.
  - 3: PRODUCT SPEC.No. : PS-99020-0015.

MEASURE POINT FOR GOLD PLATING THICKNESS TYP.



SECTION F-F

SEE DETAIL A.

|   |   |  |  |  |   |              |                        |
|---|---|--|--|--|---|--------------|------------------------|
| CORRECTED PS<br>EC NO: E2008-0129<br>DRWN:DBYRNES<br>CHKD:<br>APPR:EOMAHONY | DESCRIPTION<br>2007/09/13<br>2007/09/13<br>2007/09/14 | QUALITY SYMBOLS                                      | GENERAL TOLERANCES (UNLESS SPECIFIED)  | DIMENSION STYLE  | SCALE   | DESIGN UNITS | THIRD ANGLE PROJECTION |
|   |   | ▽=0<br>◁=0   | mm INCH  | MM/IN  | 2:1   | METRIC       |                        |
|   |   |  | 4 PLACES ± --- ± ---<br>3 PLACES ± --- ±.008<br>2 PLACES ± 0.20 ±.008<br>1 PLACE ± 0.20 ± ---<br>ANGULAR ±1/2° | DRAWN BY DATE<br>POB 1990/09/12<br>CHECKED BY DATE<br>APPROVED BY DATE | TITLE<br>GIK FLECS R/A HEADER<br>DIN EJECT LEVERS FOR<br>IMPROVED WIPE FEMALE |              |                        |
|   |   | DRAFT WHERE APPLICABLE MUST REMAIN WITHIN DIMENSIONS | MATERIAL NO.<br>ENTER PART<br>SIZE<br>A3   | DOCUMENT NO.<br>SDA-90572  | SHEET NO.<br>1 OF 4   |              |                        |



MOLEX INCORPORATED

|               |               |               |               |                |                         |                         |                         |                     |                |
|---------------|---------------|---------------|---------------|----------------|-------------------------|-------------------------|-------------------------|---------------------|----------------|
| (78.74)/3.100 | (86.34)/3.400 | (90.52)/3.564 | (96.62)/3.804 | (100.74)/3.966 | 90572-1641              | 90572-1642              | 90572-1643              |                     | 64             |
| (73.66)/2.900 | (81.26)/3.200 | (85.44)/3.364 | (91.54)/3.604 | (95.66)/3.766  | ↑ -1601                 | ↑ -1602                 | ↑ -1603                 |                     | 60             |
| (60.96)/2.400 | (68.56)/2.700 | (72.74)/2.864 | (78.84)/3.104 | (82.96)/3.266  | -1501                   | -1502                   | -1503                   | 90572-1509          | 50             |
| (48.26)/1.900 | (55.86)/2.200 | (60.04)/2.364 | (66.14)/2.604 | (70.26)/2.766  | -1401                   | -1402                   | -1403                   | ↑ -1409             | 40             |
| (40.64)/1.600 | (48.24)/1.900 | (52.42)/2.064 | (58.52)/1.304 | (62.64)/2.466  | -1341                   | -1342                   | -1343                   | -1349               | 34             |
| (35.56)/1.400 | (43.16)/1.700 | (47.34)/1.864 | (53.44)/2.104 | (57.56)/2.266  | -1301                   | -1302                   | -1303                   | -1309               | 30             |
| (30.48)/1.200 | (38.08)/1.500 | (42.26)/1.664 | (48.36)/1.904 | (52.48)/2.066  | -1261                   | -1262                   | -1263                   | -1269               | 26             |
| (22.86)/.900  | (30.46)/1.200 | (34.64)/1.364 | (40.74)/1.604 | (44.86)/1.766  | -1201                   | -1202                   | -1203                   | -1209               | 20             |
| (17.78)/.700  | (25.38)/1.000 | (29.56)/1.164 | (35.66)/1.404 | (39.78)/1.566  | -1161                   | -1162                   | -1163                   | -1169               | 16             |
| (15.24)/.600  | (22.84)/.900  | (27.02)/1.064 | (33.12)/1.304 | (37.24)/1.466  | ↓ -1141                 | ↓ -1142                 | ↓ -1143                 | ↓ -1149             | 14             |
| (10.16)/.400  | (17.76)/.700  | (21.94)/.864  | (28.04)/1.104 | (32.16)/1.266  | 90572-1101              | 90572-1102              | 90572-1103              | 90572-1109          | 10             |
| A             | B             | C             | D             | E              | ENG. NO.<br>GSI PLATING | ENG. NO.<br>GS2 PLATING | ENG. NO.<br>GS3 PLATING | ENG. NO.<br>PRE TIN | NO.OF<br>CKTS. |

**NOTES**

**1. MATERIAL**

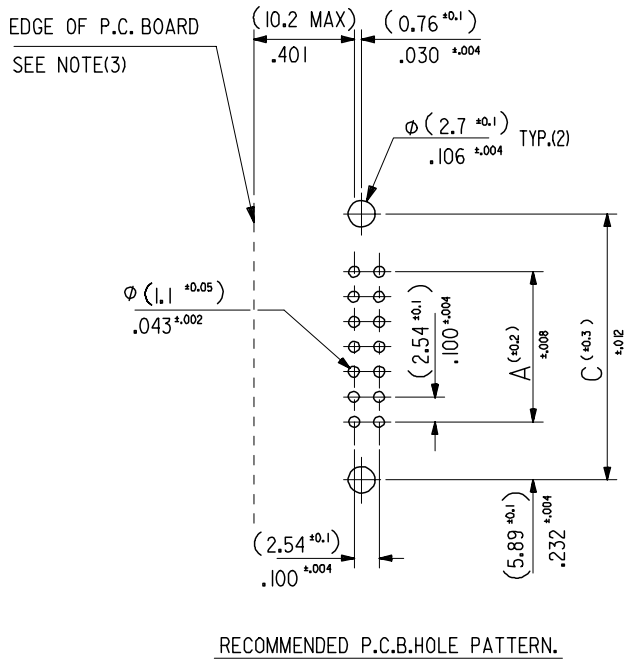
HEADER : GLASS FILLED POLYESTER (UL 94V0), COLOUR - BLACK.  
 PINS : BRASS SIZE  $\phi$  (0.635)/.025 .  
 LEVER : GLASS FILLED POLYESTER (UL 94V0), COLOUR - BLACK.  
 SPRING PINS : STEEL

**2. COLOUR IDENTIFICATION MARK FOR PLATING OPTIONS.**

90572-1\*\*1, (1um)/39uin MIN. NICKEL UNDERPLATE. CONTACT AREA  
 GSI PLATING (0.1um)/4uin MIN. GOLD. SOLDER AREA (3um)/118uin MIN.  
 TIN. COLOUR MARK: YELLOW.  
 90572-1\*\*2, (1um)/39uin MIN. NICKEL UNDERPLATE. CONTACT AREA  
 GS2 PLATING (0.76um)/30uin MIN. GOLD. SOLDER AREA (3um)/118uin MIN.  
 TIN. COLOUR MARK: BROWN.  
 90572-1\*\*3, (1um)/39uin MIN. NICKEL UNDERPLATE. CONTACT AREA  
 GS3 PLATING (0.25um)/10uin MIN. GOLD. SOLDER AREA (3um)/118uin MIN.  
 TIN. COLOUR MARK: BLUE.  
 90572-1\*\*9, (0.5-1um)/20-40uin NICKEL UNDER (1.0-3.0um)/39-118uin TIN.  
 PRE-TIN COLOUR MARK: BLACK, (NO MARK).

3. 10.2mm MAX. TO EDGE OF PCB FOR DAISY CHAIN APPLICATIONS.

4. RECOMMENDED PCB THICKNESS 1.6mm



RECOMMENDED P.C.B.HOLE PATTERN.

|  |                               |  |                                       |  |  |  |                        |                        |  |
|--|-------------------------------|--|---------------------------------------|--|--|--|------------------------|------------------------|--|
| ADDED NOTE 4<br>EC NO: E2008-0129<br>DRWN: OBYRNES 2007/09/13<br>CHKD: 2007/09/13<br>APPR: EOMAHONY 2007/09/14 | QUALITY SYMBOLS<br>▽=0<br>▽=0 | GENERAL TOLERANCES (UNLESS SPECIFIED)  |                                       | DIMENSION STYLE<br>MM/IN   |  | SCALE<br>2:1   | DESIGN UNITS<br>METRIC | THIRD ANGLE PROJECTION |  |
|  |                               | 4 PLACES ± --- ± ---<br>3 PLACES ± --- ± .008<br>2 PLACES ± 0.20 ± .008<br>1 PLACE ± 0.20 ± ---<br>ANGULAR ±1/2° | DRAWN BY<br>POB<br>DATE<br>1990/09/12 | TITLE<br>QIK FLECS RIGHT ANGLE<br>HEADER WITH DIN EJECT<br>LEVERS FOR IMPROVED |  | MOLEX INCORPORATED   |                        | SHEET NO.<br>2 OF 4    |  |
| DRAFT WHERE APPLICABLE<br>MUST REMAIN<br>WITHIN DIMENSIONS   |                               | MATERIAL NO.<br>SEE CHART  |                                       | DOCUMENT NO.<br>SDA-90572  |  | THIS DRAWING CONTAINS INFORMATION THAT IS PROPRIETARY TO MOLEX<br>INCORPORATED AND SHOULD NOT BE USED WITHOUT WRITTEN PERMISSION |                        |                        |  |