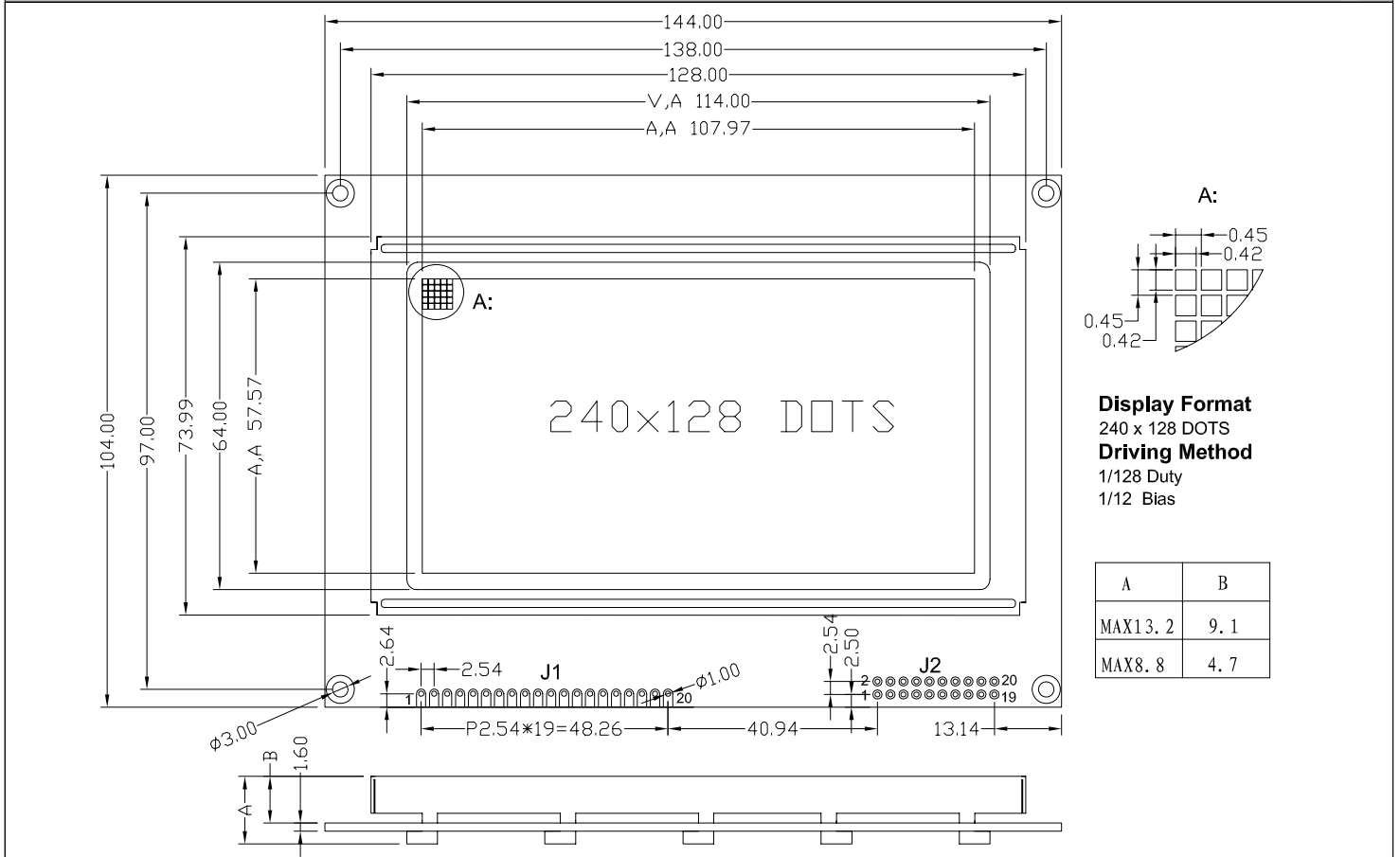


CA240128A

① PHYSICAL DIMENSION



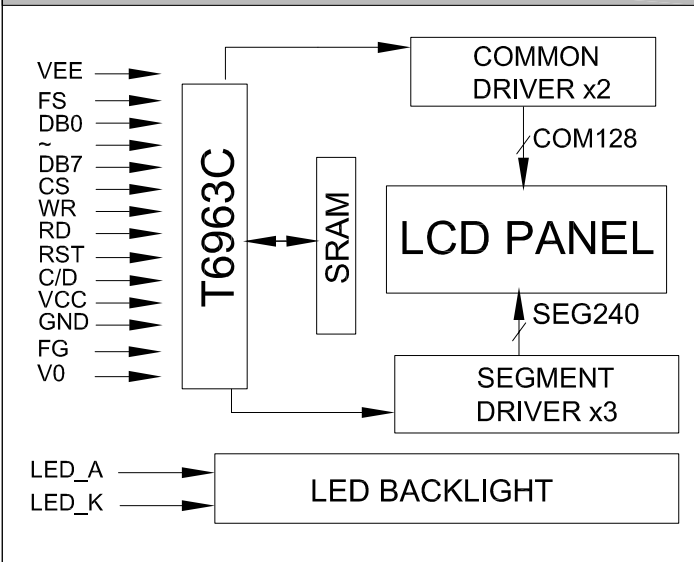
② MECHANICAL DATA

ITEM	SPECIFICATION	UNIT
Module Size With B/L (W X H X T)	144X104X13.2/8.8	mm
Viewing Area (W X H)	114 X 64	mm
Number of Dots (W X H)	240 X128	dots
Dot Pitch (W X H)	0.45 X 0.45	mm
Dot Size (W X H)	0.42 X 0.42	mm
Weight		g

③ PIN CONFIGURATION

ITEM	SYMBOL	DESCRIPTION	
1	FG	Frame Ground	
2	GND	Power ground	
3	VCC	Power positive.	
4	V0	Negative voltage Supply for LCD	
5	WR	Write signal	
6	RD	Read signal	
7	CS	Chip Select	
8	C/D	L:Data H:Instruction Code	
9	RST	System reset low active.	
10	DB0	Data bus [0~7]. There state I/O common terminal.	
17	DB7		
18	FS		Font Select
19	VEE/LED_A		Negative voltage Supply / Backlight Anode(+5V) .
20	LED_A/LED_K		Backlight Anode(+5V) / Backlight Cathode

④ BLOCK DIAGRAM



⑤ ABSOLUTE MAXIMUM RATINGS (25°C)

PARAMETER	SYMBOL	MIN.	MAX.	UNIT
SUPPLY VOLTAGE LOGIC	VCC	0	5.25	V
SUPPLY VOLTAGE DRIVER	VCC-V0	0	18	V
INPUT VOLTAGE	VIN	0	VCC	V