



### FEATURES:

- **8-bit 8051-Compatible Microcontroller (MCU) with Embedded SuperFlash Memory**
  - Fully Software Compatible
  - Development Toolset Compatible
  - Pin-for-Pin Package Compatible
- **SST89E5xRC Operation**
  - 0 to 33MHz at 5V
- **Total 512 Byte Internal RAM (256 Byte by default + 256 Byte enabled by software)**
- **Single Block SuperFlash EEPROM**
  - SST89E54RC: 16 KByte primary partition + 1 KByte secondary partition
  - SST89E52RC: 8 KByte primary partition + 1 KByte secondary partition
  - Primary Partition is divided into Four Pages
  - Secondary Partition has One Page
  - Individual Page Security Lock
  - In-System Programming (ISP)
  - In-Application Programming (IAP)
  - Small-Sector Architecture: 128-Byte Sector Size
- **Support External Address Range up to 64 KByte of Program and Data Memory**
- **Three High-Current Port 1 pins (16 mA each)**
- **Three 16-bit Timers/Counters**
- **Full-Duplex, Enhanced UART**
  - Framing error detection
  - Automatic address recognition
- **Eight Interrupt Sources at 4 Priority Levels**
- **Programmable Watchdog Timer (WDT)**
- **Four 8-bit I/O Ports (32 I/O Pins)**
- **Second DPTR register**
- **Low EMI Mode (Inhibit ALE)**
- **Standard 12 Clocks per cycle, the device has an option to double the speed to 6 clocks per cycle.**
- **TTL- and CMOS-Compatible Logic Levels**
- **Low Power Modes**
  - Power-down Mode with External Interrupt Wake-up
  - Idle Mode
- **Selectable Operation Clock**
  - Divide down to 1/4, 1/16, 1/256, or 1/1024th
- **Temperature Ranges:**
  - Commercial (0°C to +70°C)
- **Packages Available**
  - 40-pin PDIP
  - 44-lead PLCC
- **All non-Pb (lead-free) devices are RoHS compliant**

### PRODUCT DESCRIPTION

The SST89E52RC / SST89E54RC are members of the FlashFlex family of 8-bit microcontroller products designed and manufactured with SST's patented and proprietary SuperFlash CMOS semiconductor process technology. The split-gate cell design and thick-oxide tunneling injector offer significant cost and reliability benefits for our customers. The devices use the 8051 instruction set and are pin-for-pin compatible with standard 8051 microcontroller devices.

The device comes with 17/9 KByte of on-chip flash EEPROM program memory which is divided into 2 independent program memory partitions. The primary partition occupies 16/8 KByte of internal program memory space and the secondary partition occupies 1 KByte of internal program memory space.

The flash memory can be programmed via a standard 87C5x OTP EPROM programmer fitted with a special adapter and firmware for SST's devices. During power-on reset, the devices can be configured as either a slave to an external host for source code storage or a master to an

external host for an in-system programming (ISP) operation. The devices are designed to be programmed in-system on the printed circuit board for maximum flexibility. An example of the bootstrap loader (BSL) in memory, demonstrating initial user program code loading or subsequent user code updating via an ISP operation, is provided on the SST website. The sample BSL is for the user's reference only; SST does not guarantee its functionality.

In addition to 17/9 KByte of SuperFlash EEPROM program memory on-chip and 512 x8 bits of on-chip RAM, the device can address up to 64 KByte of external program memory and up to 64 KByte of external RAM.

The highly-reliable, patented SST SuperFlash technology and memory cell architecture have a number of important advantages for designing and manufacturing flash EEPROMs. These advantages translate into significant cost and reliability benefits for our customers.



## TABLE OF CONTENTS

|  |    |
|--|----|
| FEATURES: .....  | 1  |
| PRODUCT DESCRIPTION .....  | 1  |
| TABLE OF CONTENTS .....  | 2  |
| LIST OF FIGURES .....  | 3  |
| LIST OF TABLES .....   | 4  |
| 1.0 FUNCTIONAL BLOCKS .....  | 5  |
| 2.0 PIN ASSIGNMENTS .....  | 6  |
| 2.1 Pin Descriptions .....   | 7  |
| 3.0 MEMORY ORGANIZATION .....                                      | 9  |
| 3.1 Program Flash Memory .....                                     | 9  |
| 3.2 Data RAM Memory .....  | 9  |
| 3.3 Expanded Data RAM Addressing .....                             | 9  |
| 3.4 Dual Data Pointers .....                                       | 11 |
| 3.5 Special Function Registers .....                               | 11 |
| 4.0 FLASH MEMORY PROGRAMMING .....                                 | 27 |
| 4.1 Product Identification .....                                   | 27 |
| 4.2 In-Application Programming .....                               | 27 |
| 4.3 In-System Programming .....                                    | 30 |
| 5.0 TIMERS/COUNTERS .....  | 31 |
| 5.1 Timers .....   | 31 |
| 5.2 Timer Set-up .....   | 31 |
| 5.3 Programmable Clock-Out .....                                   | 32 |
| 6.0 SERIAL I/O .....   | 32 |
| 6.1 Full-Duplex, Enhanced UART .....                               | 32 |
| 7.0 WATCHDOG TIMER .....   | 36 |
| 7.1 Watchdog Timer Mode .....                                      | 36 |
| 7.2 Pure Timer Mode .....  | 36 |
| 7.3 Clock Source .....   | 36 |
| 7.4 Feed Sequence .....  | 36 |
| 7.5 Power Saving Considerations for Using the Watchdog Timer ..... | 36 |
| 8.0 SECURITY LOCK .....  | 38 |
| 8.1 Chip-Level Security Lock .....                                 | 38 |
| 8.2 Page-Level Security Lock .....                                 | 38 |
| 8.3 Read Operation Under Lock Condition .....                      | 38 |
| 9.0 RESET .....  | 39 |
| 9.1 Power-on Reset .....   | 39 |
| 9.2 Boot Sequence .....  | 40 |
| 9.3 Interrupt Priority and Polling Sequence .....                  | 40 |
| 10.0 POWER-SAVING MODES .....                                      | 43 |
| 10.1 Idle Mode .....   | 43 |
| 10.2 Power-down Mode .....   | 43 |



|  |    |
|--|----|
| 11.0 SYSTEM CLOCK AND CLOCK OPTIONS . . . . .                                      | 44 |
| 11.1 Clock Input Options and Recommended Capacitor Values for Oscillator . . . . . | 44 |
| 11.2 Clock Doubling Option . . . . .   | 44 |
| 11.3 Clock Divider Option . . . . .  | 44 |
| 12.0 ELECTRICAL SPECIFICATION . . . . .  | 45 |
| 12.1 DC Electrical Characteristics . . . . .                                       | 47 |
| 12.2 AC Electrical Characteristics . . . . .                                       | 48 |
| 13.0 PRODUCT ORDERING INFORMATION . . . . .  | 54 |
| 13.1 Valid Combinations . . . . .  | 55 |
| 14.0 PACKAGING DIAGRAMS . . . . .  | 56 |

**LIST OF FIGURES**

|  |    |
|--|----|
| FIGURE 1: Functional Block Diagram . . . . .                                   | 5  |
| FIGURE 2-1: Pin Assignments for 40-pin PDIP . . . . .                          | 6  |
| FIGURE 2-2: Pin Assignments for 44-lead PLCC . . . . .                         | 6  |
| FIGURE 3-1: Internal and External Data Memory Structure . . . . .              | 10 |
| FIGURE 3-2: Program Memory Organization and Code Security Protection . . . . . | 11 |
| FIGURE 3-3: Dual Data Pointer Organization . . . . .                           | 11 |
| FIGURE 6-1: Framing Error Block Diagram . . . . .                              | 33 |
| FIGURE 6-2: UART Timings in Mode 1 . . . . .                                   | 33 |
| FIGURE 6-3: UART Timings in Modes 2 and 3 . . . . .                            | 33 |
| FIGURE 7-1: Block Diagram of Programmable Watchdog Timer . . . . .             | 37 |
| FIGURE 9-1: Power-on Reset Circuit . . . . .                                   | 39 |
| FIGURE 9-2: Boot Sequence Flowchart . . . . .                                  | 40 |
| FIGURE 9-3: Hardware Pin Setup . . . . .                                       | 40 |
| FIGURE 9-4: Interrupt Sequence . . . . .                                       | 41 |
| FIGURE 11-1: Oscillator Characteristics . . . . .                              | 44 |
| FIGURE 12-1: External Program Memory Read Cycle . . . . .                      | 50 |
| FIGURE 12-2: External Data Memory Read Cycle . . . . .                         | 50 |
| FIGURE 12-3: External Data Memory Write Cycle . . . . .                        | 51 |
| FIGURE 12-4: External Clock Drive Waveform . . . . .                           | 51 |
| FIGURE 12-5: Shift Register Mode Timing Waveforms . . . . .                    | 52 |
| FIGURE 12-6: AC Testing Input/Output Test Waveform . . . . .                   | 52 |
| FIGURE 12-7: Float Waveform . . . . .  | 52 |
| FIGURE 12-8: A Test Load Example . . . . .                                     | 53 |
| FIGURE 12-9: I <sub>DD</sub> Test Condition, Active Mode . . . . .             | 53 |
| FIGURE 12-10: I <sub>DD</sub> Test Condition, Idle Mode . . . . .              | 53 |
| FIGURE 12-11: I <sub>DD</sub> Test Condition, Power-down Mode . . . . .        | 53 |
| FIGURE 14-1: 40-pin Plastic Dual In-line Pins (PDIP) . . . . .                 | 56 |
| FIGURE 14-2: 44-lead Plastic Lead Chip Carrier (PLCC) . . . . .                | 56 |



## LIST OF TABLES

|  |    |
|--|----|
| TABLE 2-1: Pin Descriptions                                    | 7  |
| TABLE 3-1: External Data Memory RD#, WR# with EXTRAM bit       | 10 |
| TABLE 3-2: FlashFlex SFR Memory Map                            | 12 |
| TABLE 3-3: CPU related SFRs                                    | 13 |
| TABLE 3-4: Flash Memory Programming SFRs                       | 14 |
| TABLE 3-5: Watchdog Timer SFRs                                 | 14 |
| TABLE 3-6: Feed Sequence SFRs                                  | 14 |
| TABLE 3-7: Timer/Counters SFRs                                 | 15 |
| TABLE 3-8: Interface SFRs                                      | 15 |
| TABLE 3-9: Clock Option SFR                                    | 15 |
| TABLE 4-1: Product Identification                              | 27 |
| TABLE 4-2: Default Boot Vector Settings                        | 28 |
| TABLE 4-3: IAP COMMANDS  | 30 |
| TABLE 5-1: Timer/Counter 0                                     | 31 |
| TABLE 5-2: Timer/Counter 1                                     | 31 |
| TABLE 5-3: Timer/Counter 2                                     | 31 |
| TABLE 9-1: Boot Vector Address                                 | 40 |
| TABLE 9-2: Interrupt Polling Sequence                          | 42 |
| TABLE 10-1: Power Saving Modes                                 | 43 |
| TABLE 11-1: Recommended Values for C1 and C2 by Crystal Type   | 44 |
| TABLE 11-2: Clock Doubling Features                            | 44 |
| TABLE 12-1: Operating Range                                    | 45 |
| TABLE 12-2: Reliability Characteristics                        | 45 |
| TABLE 12-3: AC Conditions of Test                              | 46 |
| TABLE 12-4: Recommended System Power-up Timings                | 46 |
| TABLE 12-5: Pin Impedance (TA=25 °C, f=1 Mhz, other pins open) | 46 |
| TABLE 12-6: DC Characteristics for SST89E5xRC:                 | 47 |
| TABLE 12-7: AC Electrical Characteristics                      | 48 |
| TABLE 12-8: External Clock Drive                               | 51 |
| TABLE 12-9: Serial Port Timing                                 | 52 |
| TABLE 12-10: Flash Memory Programming/Verification Parameters  | 53 |
| TABLE 14-1: Revision History                                   | 57 |

## 1.0 FUNCTIONAL BLOCKS

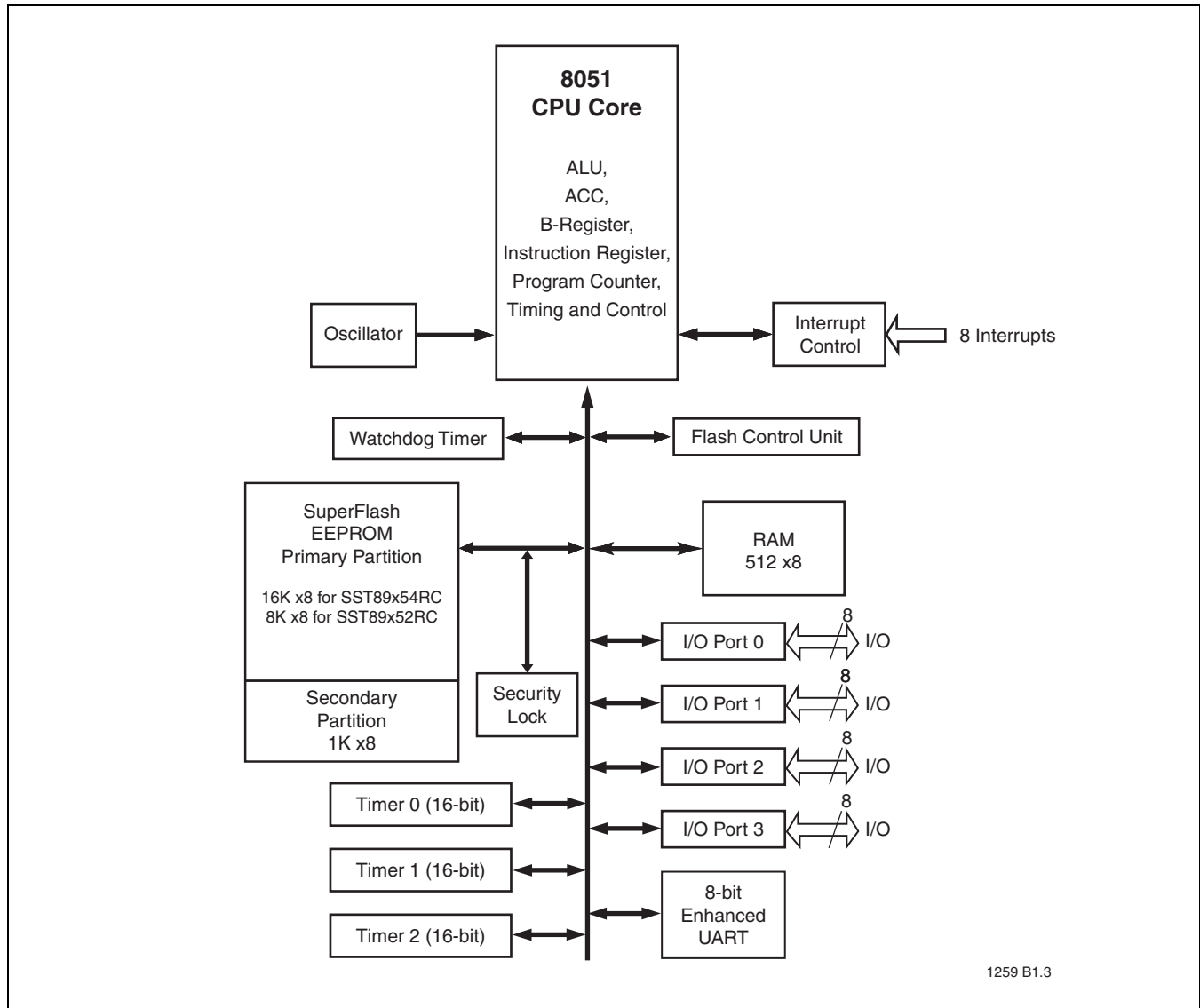


FIGURE 1: Functional Block Diagram



Data Sheet

2.0 PIN ASSIGNMENTS

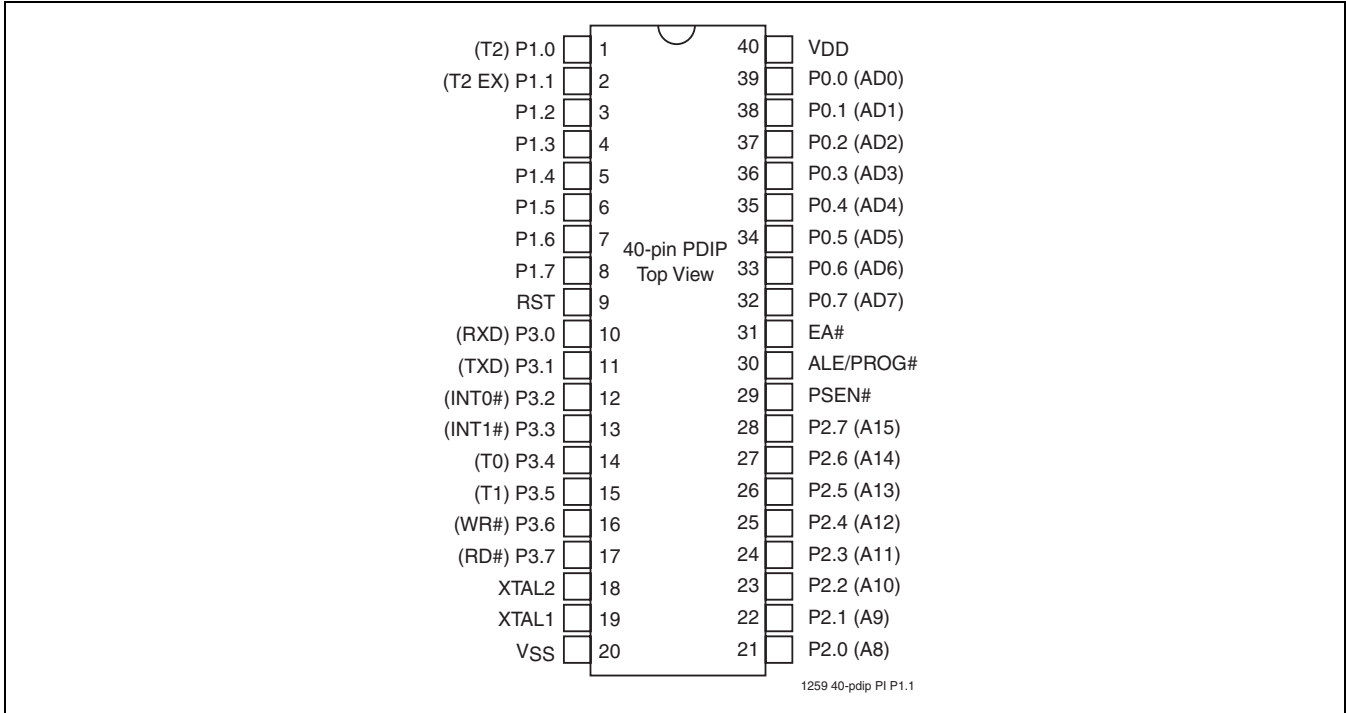


FIGURE 2-1: Pin Assignments for 40-pin PDIP

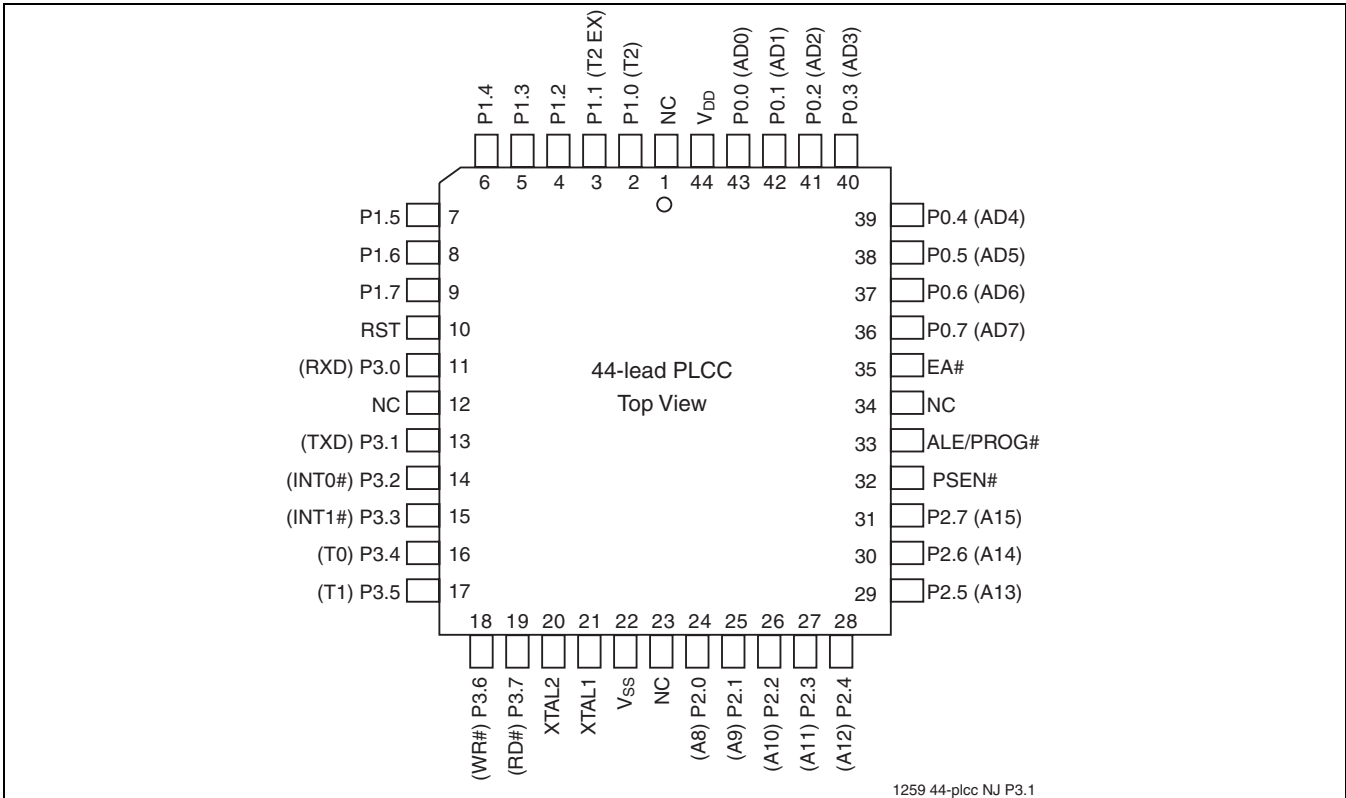


FIGURE 2-2: Pin Assignments for 44-lead PLCC



## 2.1 Pin Descriptions

**TABLE 2-1: Pin Descriptions (1 of 2)**

| Symbol  | Type <sup>1</sup>         | Name and Functions  |
|---------|---------------------------|---|
| P0[7:0] | I/O                       | <b>Port 0:</b> Port 0 is an 8-bit open drain bi-directional I/O port. As an output port each pin can sink several LS TTL inputs. Port 0 pins that have '1's written to them float, and in this state can be used as high-impedance inputs. Port 0 is also the multiplexed low-order address and data bus during accesses to external code and data memory. In this application, it uses strong internal pull-ups when transitioning to '1's. Port 0 also receives the code bytes during the external host mode programming, and outputs the code bytes during the external host mode verification. External pull-ups are required during program verification or as a general purpose I/O port.                             |
| P1[7:0] | I/O with internal pull-up | <b>Port 1:</b> Port 1 is an 8-bit bi-directional I/O port with internal pull-ups. The Port 1 output buffers can drive LS TTL inputs. Port 1 pins are pulled high by the internal pull-ups when '1's are written to them and can be used as inputs in this state. As inputs, Port 1 pins that are externally pulled low will source current ( $I_{IL}$ , see Table 12-6) because of the internal pull-ups. P1[5, 6, 7] have high current drive of 16 mA. Port 1 also receives the low-order address byte during the external host mode programming and verification.   |
| P1[0]   | I/O                       | <b>T2:</b> External count input to Timer/Counter 2 or Clock-out from Timer/Counter 2  |
| P1[1]   | I                         | <b>T2EX:</b> Timer/Counter 2 capture/reload trigger and direction control   |
| P1[2]   | I/O                       | <b>GPIO</b>   |
| P1[3]   | I/O                       | <b>GPIO</b>   |
| P1[4]   | I/O                       | <b>GPIO</b>   |
| P1[5]   | I/O                       | <b>GPIO</b>   |
| P1[6]   | I/O                       | <b>GPIO</b>   |
| P1[7]   | I/O                       | <b>GPIO</b>   |
| P2[7:0] | I/O with internal pull-up | <b>Port 2:</b> Port 2 is an 8-bit bi-directional I/O port with internal pull-ups. Port 2 pins are pulled high by the internal pull-ups when '1's are written to them and can be used as inputs in this state. As inputs, Port 2 pins that are externally pulled low will source current ( $I_{IL}$ , see Table 12-6) because of the internal pull-ups. Port 2 sends the high-order address byte during fetches from external program memory and during accesses to external Data Memory that use 16-bit address (MOVX@DPTR). In this application, it uses strong internal pull-ups when transitioning to '1's. Port 2 also receives the high-order address byte during the external host mode programming and verification. |
| P3[7:0] | I/O with internal pull-up | <b>Port 3:</b> Port 3 is an 8-bit bidirectional I/O port with internal pull-ups. The Port 3 output buffers can drive LS TTL inputs. Port 3 pins are pulled high by the internal pull-ups when '1's are written to them and can be used as inputs in this state. As inputs, Port 3 pins that are externally pulled low will source current ( $I_{IL}$ , see Table 12-6) because of the internal pull-ups. Port 3 also receives the high-order address byte during the external host mode programming and verification.   |
| P3[0]   | I                         | <b>RXD:</b> Universal Asynchronous Receiver/Transmitter (UART) - Receive input  |
| P3[1]   | O                         | <b>TXD:</b> UART - Transmit output  |
| P3[2]   | I                         | <b>INT0#:</b> External Interrupt 0 Input  |
| P3[3]   | I                         | <b>INT1#:</b> External Interrupt 1 Input  |
| P3[4]   | I                         | <b>T0:</b> External count input to Timer/Counter 0  |
| P3[5]   | I                         | <b>T1:</b> External count input to Timer/Counter 1  |
| P3[6]   | O                         | <b>WR#:</b> External Data Memory Write strobe   |
| P3[7]   | O                         | <b>RD#:</b> External Data Memory Read strobe  |



Data Sheet

**TABLE 2-1: Pin Descriptions (Continued) (2 of 2)**

| Symbol          | Type <sup>1</sup> | Name and Functions  |
|-----------------|-------------------|---|
| PSEN#           | I/O               | <b>Program Store Enable:</b> PSEN# is the Read strobe to external program. When the device is executing from internal program memory, PSEN# is inactive (High). When the device is executing code from external program memory, PSEN# is activated twice each machine cycle, except that two PSEN# activations are skipped during each access to external data memory. A forced high-to-low input transition on the PSEN# pin while the RST input is continually held high for more than 10 machine cycles will cause the device to enter external host mode programming. |
| RST             | I                 | <b>Reset:</b> While the oscillator is running, a “high” logic state on this pin for two machine cycles will reset the device. If the PSEN# pin is driven by a high-to-low input transition while the RST input pin is held “high,” the device will enter the external host mode, otherwise the device will enter the normal operation mode.   |
| EA#             | I                 | <b>External Access Enable:</b> EA# must be connected to V <sub>SS</sub> in order to enable the device to fetch code from the external program memory. EA# must be strapped to V <sub>DD</sub> for internal program execution. However, Disable-Extern-Boot (See Section 8.0, “Security Lock”) will disable EA#, and program execution is only possible from internal program memory. The EA# pin can tolerate a high voltage <sup>2</sup> of 12V. (See Section 12.0, “Electrical Specification”)  |
| ALE/PROG#       | I/O               | <b>Address Latch Enable:</b> ALE is the output signal for latching the low byte of the address during an access to external memory. This pin is also the programming pulse input (PROG#) for flash programming. Normally the ALE <sup>3</sup> is emitted at a constant rate of 1/6 the crystal frequency <sup>4</sup> and can be used for external timing and clocking. One ALE pulse is skipped during each access to external data memory. However, if AO is set to 1, ALE is disabled. (See “Auxiliary Register (AUXR)” in Section 3.5, “Special Function Registers”)  |
| NC              | I/O               | <b>No Connect</b>   |
| XTAL1           | I                 | <b>Crystal 1:</b> Input to the inverting oscillator amplifier and input to the internal clock generator circuits.   |
| XTAL2           | O                 | <b>Crystal 2:</b> Output from the inverting oscillator amplifier.   |
| V <sub>DD</sub> | I                 | <b>Power Supply</b>   |
| V <sub>SS</sub> | I                 | <b>Ground</b>   |

T2-1.0 1259

1. I = Input; O = Output
2. It is not necessary to receive a 12V programming supply voltage during flash programming.
3. ALE loading issue: When ALE pin experiences higher loading (>30pf) during the reset, the MCU may accidentally enter into modes other than normal working mode. The solution is to add a pull-up resistor of 3-50 KΩ to V<sub>DD</sub>, e.g. for ALE pin.
4. For 6 clock mode, ALE is emitted at 1/3 of crystal frequency.





### 3.0 MEMORY ORGANIZATION

The device has separate address spaces for program and data memory.

#### 3.1 Program Flash Memory

There are two internal flash memory partitions in the device. The primary flash memory partition (Partition 0) has 16/8 KByte. The secondary flash memory partition (Partition 1) has 1 KByte. The total flash memory space of both partitions can be used as a contiguous code storage.

The 16K/8K x8 primary flash partition is organized as 128/64 sectors, each sector consists of 128 Bytes. The primary partition is divided into four logical pages as shown in Figure 3-2

The 1K x8 secondary flash partition is organized as 8 sectors, each sector consists also of 128 Bytes.

For both partitions, the 7 least significant program address bits select the byte within the sector. The remainder of the program address bits select the sector within the partition.

#### 3.2 Data RAM Memory

The data RAM has 512 Bytes of internal memory. The first 256 Bytes are available by default. The second 256 Bytes are enabled by clearing the EXTRAM bit in the AUXR register. The RAM can be addressed up to 64 KByte for external data memory.

#### 3.3 Expanded Data RAM Addressing

The SST89E5xRC have the capability of 512 Bytes of RAM. See Figure 3-1.

The device has four sections of internal data memory:

1. The lower 128 Bytes of RAM (00H to 7FH) are directly and indirectly addressable.
2. The higher 128 Bytes of RAM (80H to FFH) are indirectly addressable.
3. The special function registers (80H to FFH) are directly addressable only.
4. The expanded RAM of 256 Bytes (00H to FFH) is indirectly addressable by the move external instruction (MOVX) and clearing the EXTRAM bit. (See "Auxiliary Register (AUXR)" in Section 3.5, "Special Function Registers")

Since the upper 128 bytes occupy the same addresses as the SFRs, the RAM must be accessed indirectly. The RAM and SFRs space are physically separate even though they have the same addresses.

When instructions access addresses in the upper 128 bytes (above 7FH), the MCU determines whether to access the SFRs or RAM by the type of instruction given. If it is indirect, then RAM is accessed. If it is direct, then an SFR is accessed. See the examples below.

#### Indirect Access:

```
MOV    @R0, #data    ; R0 contains 90H
```

Register R0 points to 90H which is located in the upper address range. Data in "#data" is written to RAM location 90H rather than port 1.

#### Direct Access:

```
MOV    90H, #data    ; write data to P1
```

Data in "#data" is written to port 1. Instructions that write directly to the address write to the SFRs.

To access the expanded RAM, the EXTRAM bit must be cleared and MOVX instructions must be used. The extra 256 Bytes of memory is physically located on the chip and logically occupies the first 256 bytes of external memory (addresses 000H to FFH).

When EXTRAM = 0, the expanded RAM is indirectly addressed using the MOVX instruction in combination with any of the registers R0, R1 of the selected bank or DPTR. Accessing the expanded RAM does not affect ports P0, P3.6 (WR#), P3.7 (RD#), or P2. With EXTRAM = 0, the expanded RAM can be accessed as in the following example.

#### Expanded RAM Access (Indirect Addressing only):

```
MOVX   @DPTR, A      ; DPTR contains 0A0H
```

DPTR points to 0A0H and data in "A" is written to address 0A0H of the expanded RAM rather than external memory. Access to external memory higher than FFH using the MOVX instruction will access external memory (0100H to FFFFH) and will perform in the same way as the standard 8051, with P0 and P2 as data/address bus, and P3.6 and P3.7 as write and read timing signals.

When EXTRAM = 1, MOVX @Ri and MOVX @DPTR will be similar to the standard 8051. Using MOVX @Ri provides an 8-bit address with multiplexed data on Port 0. Other output port pins can be used to output higher order address bits. This provides external paging capabilities. Using MOVX @DPTR generates a 16-bit address. This allows external addressing up the 64K. Port 2 provides the high-order eight address bits (DPH), and Port 0 multiplexes the low order eight address bits (DPL) with data. Both MOVX @Ri and MOVX @DPTR generates the necessary



Data Sheet

read and write signals (P3.6 - WR# and P3.7 - RD#) for external memory use. Table 3-1 shows external data memory RD#, WR# operation with EXTRAM bit.

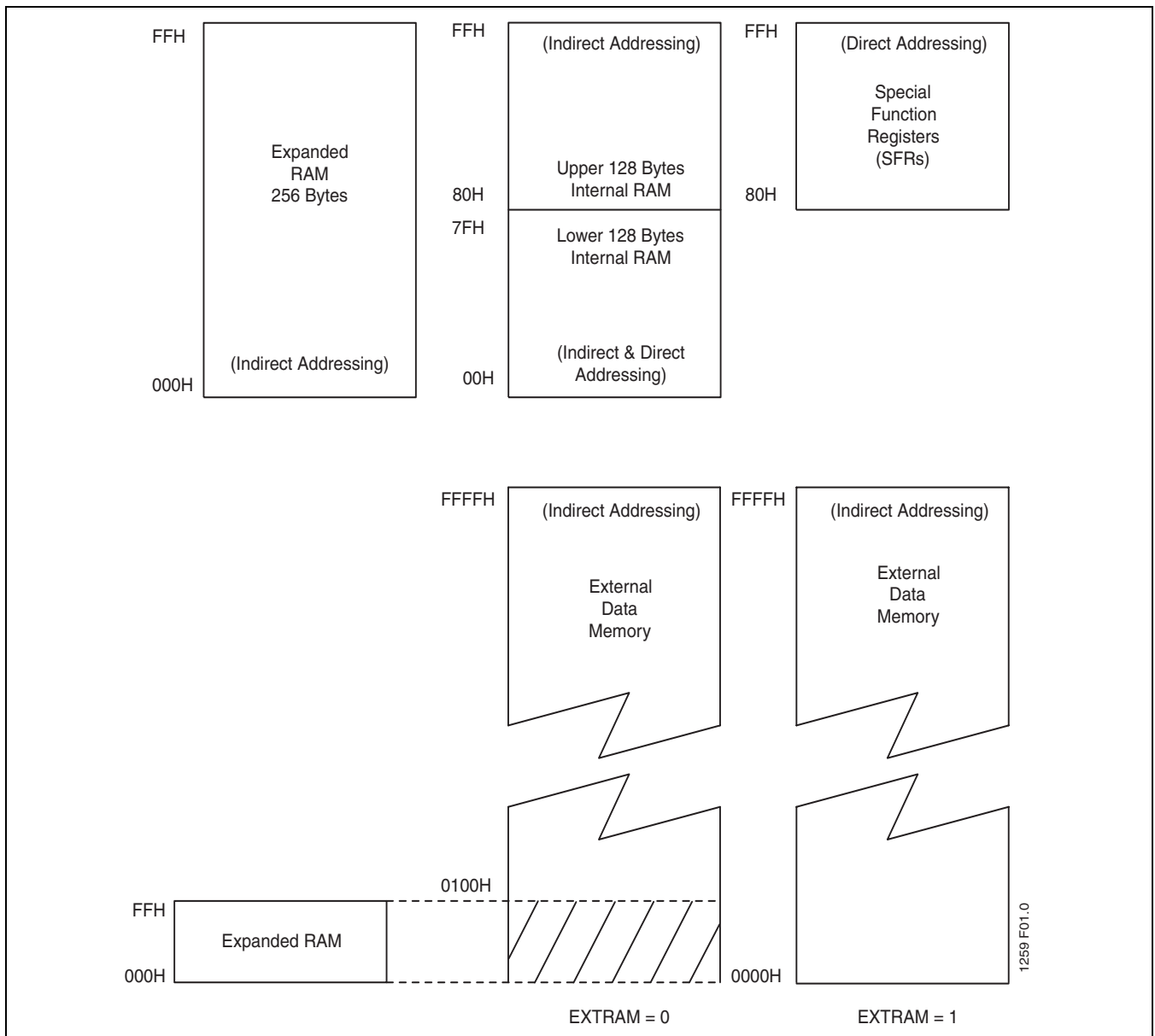
The stack pointer (SP) can be located anywhere within the 256 bytes of internal RAM (lower 128 bytes and upper 128 bytes). The stack pointer may not be located in any part of the expanded RAM.

**TABLE 3-1: External Data Memory RD#, WR# with EXTRAM bit**

|            | MOVX @DPTR, A or MOVX A, @DPTR |                    | MOVX @Ri, A or MOVX A, @Ri          |
|------------|--------------------------------|--------------------|-------------------------------------|
| AUXR       | ADDR < 0100H                   | ADDR >= 0100H      | ADDR = Any                          |
| EXTRAM = 0 | RD# / WR# not asserted         | RD# / WR# asserted | RD# / WR# not asserted <sup>1</sup> |
| EXTRAM = 1 | RD# / WR# asserted             | RD# / WR# asserted | RD# / WR# asserted                  |

T3-1.0 1259

1. Access limited to ERAM address within 0 to 0FFH.



**FIGURE 3-1: Internal and External Data Memory Structure**

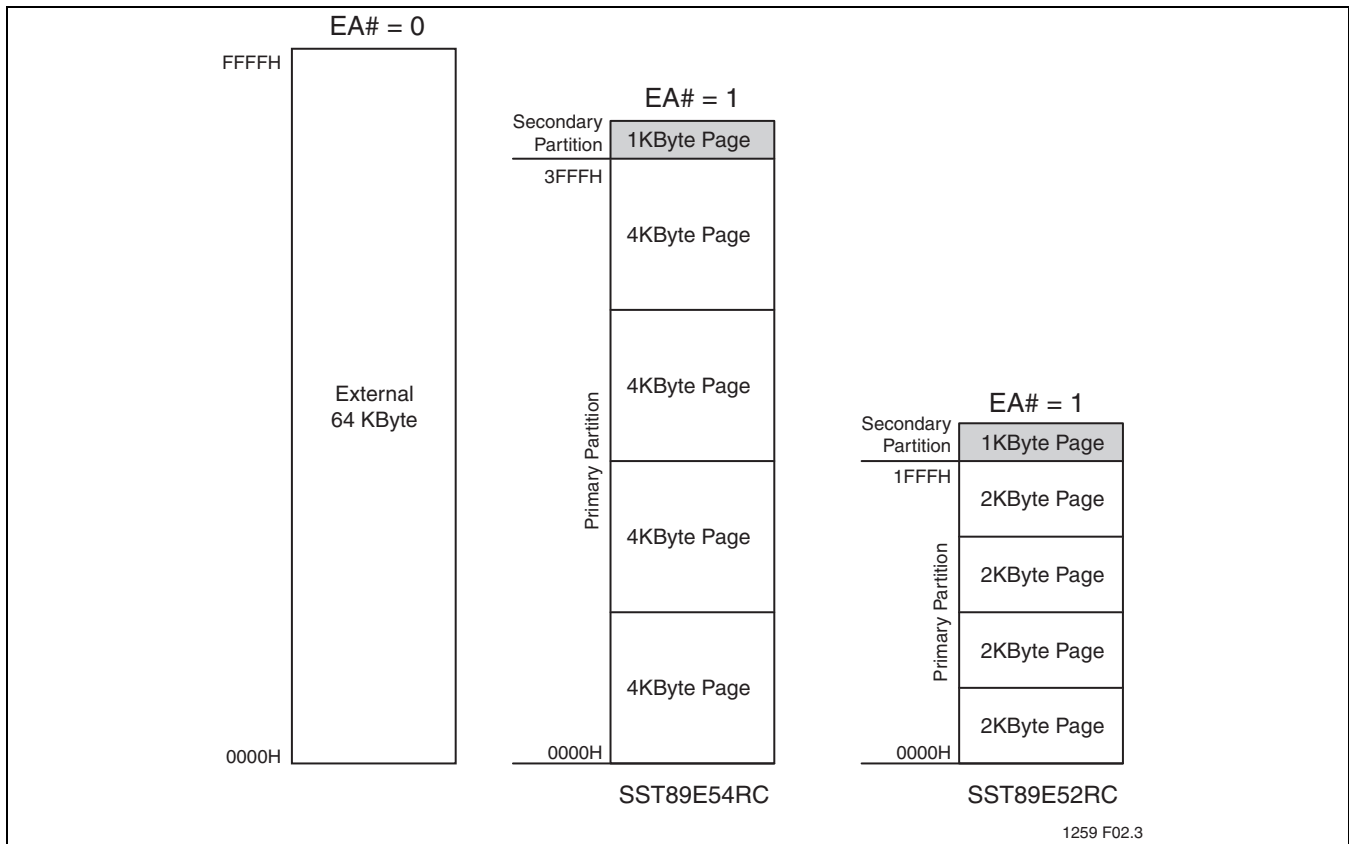


FIGURE 3-2: Program Memory Organization and Code Security Protection

### 3.4 Dual Data Pointers

The device has two 16-bit data pointers. The DPTR Select (DPS) bit in AUXR1 determines which of the two data pointers is accessed. When DPS=0, DPTR0 is selected; when DPS=1, DPTR1 is selected. Quickly switching between the two data pointers can be accomplished by a single INC instruction on AUXR1. (See Figure 3-3)

### 3.5 Special Function Registers

Most of the unique features of the FlashFlex microcontroller family are controlled by bits in special function registers (SFRs) located in the SFR memory map shown in Table 3-2. Individual descriptions of each SFR are provided and reset values indicated in Tables 3-3 to 3-8.

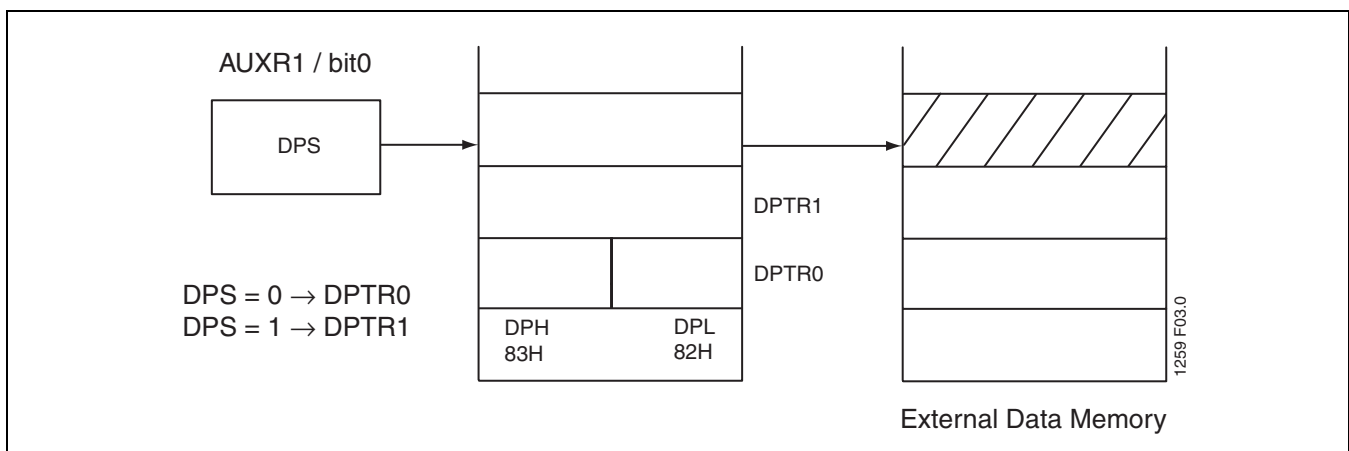


FIGURE 3-3: Dual Data Pointer Organization



Data Sheet

**TABLE 3-2: FlashFlex SFR Memory Map**

| 8 BYTES |                    |       |        |        |       |      |       |     |
|---------|--------------------|-------|--------|--------|-------|------|-------|-----|
| F8H     | IPA <sup>1</sup>   |       |        |        |       |      |       | FFH |
| F0H     | B <sup>1</sup>     |       |        |        |       |      | IPAH  | F7H |
| E8H     | IEA <sup>1</sup>   |       |        |        |       |      |       | EFH |
| E0H     | ACC <sup>1</sup>   |       |        |        |       |      |       | E7H |
| D8H     |                    |       |        |        |       |      |       | DFH |
| D0H     | PSW <sup>1</sup>   |       |        |        |       | SPCR |       | D7H |
| C8H     | T2CON <sup>1</sup> | T2MOD | RCAP2L | RCAP2H | TL2   | TH2  |       | CFH |
| C0H     | WDTC <sup>1</sup>  |       |        |        | SFIS1 |      |       | C7H |
| B8H     | IP <sup>1</sup>    | SADEN |        |        |       |      | COSR  | BFH |
| B0H     | P3 <sup>1</sup>    | SFCF  | SFCM   | SFAL   | SFAH  | SFDT | SFST  | IPH |
| A8H     | IE <sup>1</sup>    | SADDR |        |        |       |      |       | AFH |
| A0H     | P2 <sup>1</sup>    | PMC   | AUXR1  |        |       |      |       | A7H |
| 98H     | SCON <sup>1</sup>  | SBUF  |        |        |       |      |       | 9FH |
| 90H     | P1 <sup>1</sup>    |       |        |        |       |      | SFIS0 | 97H |
| 88H     | TCON <sup>1</sup>  | TMOD  | TL0    | TL1    | TH0   | TH1  | AUXR  | 8FH |
| 80H     | P0 <sup>1</sup>    | SP    | DPL    | DPH    |       | WDTD | PCON  | 87H |

1. Bit addressable SFRs



TABLE 3-3: CPU related SFRs

| Symbol           | Description                       | Direct Address | Bit Address, Symbol, or Alternative Port Function |       |      |     |      |      |        |      | Reset Value |
|------------------|-----------------------------------|----------------|---|-------|------|-----|------|------|--------|------|-------------|
|                  |                                   |                | MSB   |       |      |     | LSB  |      |        |      |             |
| ACC <sup>1</sup> | Accumulator                       | E0H            | ACC[7:0]  |       |      |     |      |      |        |      | 00H         |
| B <sup>1</sup>   | B Register                        | F0H            | B[7:0]  |       |      |     |      |      |        |      | 00H         |
| PSW <sup>1</sup> | Program Status Word               | D0H            | CY  | AC    | F0   | RS1 | RS0  | OV   | F1     | P    | 00H         |
| SP               | Stack Pointer                     | 81H            | SP[7:0]   |       |      |     |      |      |        |      | 07H         |
| DPL              | Data Pointer Low                  | 82H            | DPL[7:0]  |       |      |     |      |      |        |      | 00H         |
| DPH              | Data Pointer High                 | 83H            | DPH[7:0]  |       |      |     |      |      |        |      | 00H         |
| IE <sup>1</sup>  | Interrupt Enable                  | A8H            | EA  | EC    | ET2  | ES  | ET1  | EX1  | ET0    | EX0  | 00H         |
| IEA <sup>1</sup> | Interrupt Enable A                | E8H            | -   | EWD   | -    | -   | -    | -    | -      | -    | x0xxxxxxb   |
| IP <sup>1</sup>  | Interrupt Priority Reg            | B8H            | -   | -     | PT2  | PS  | PT1  | PX1  | PT0    | PX0  | x0000000b   |
| IPH              | Interrupt Priority Reg High       | B7H            | -   | PPCH  | PT2H | PSH | PT1H | PX1H | PT0H   | PX0H | x0000000b   |
| IPA <sup>1</sup> | Interrupt Priority Reg A          | F8H            | -   | PWD   | -    | -   | -    | -    | -      | -    | x0xxxxxxb   |
| IPAH             | Interrupt Priority Reg A High     | F7H            | -   | PWDH  | -    | -   | -    | -    | -      | -    | x0xxxxxxb   |
| PCON             | Power Control                     | 87H            | SMOD1   | SMOD0 | -    | POF | GF1  | GF0  | PD     | IDL  | 00x10000b   |
| AUXR             | Auxiliary Reg                     | 8EH            | -   | -     | -    | -   | -    | -    | EXTRAM | AO   | xxxxxxx00b  |
| AUXR1            | Auxiliary Reg 1                   | A2H            | -   | -     | -    | -   | GF2  | 0    | -      | DPS  | xxxx00x0b   |
| PMC              | Power Management Control Register | A1H            | -   | -     | WDU  | TCT | TCT2 | PB2  | PB1    | UART | xx000000b   |

1. Bit Addressable SFRs

T3-3.1 1259



Data Sheet

**TABLE 3-4: Flash Memory Programming SFRs**

| Symbol | Description              | Direct Address     | Bit Address, Symbol, or Alternative Port Function                                    |                |                       |                     |                         |                     |                     | Reset Value        |           |
|--------|--------------------------|--------------------|--|----------------|-----------------------|---------------------|-------------------------|---------------------|---------------------|--------------------|-----------|
|        |                          |                    | MSB  |                |                       | LSB                 |                         |                     |                     |                    |           |
| SFCF   | SuperFlash Configuration | B1H                | CMD_Status   | IAPEN          | -                     | HWIAP               | -                       | SFST_SEL            |                     |                    | 10000000b |
| SFCM   | SuperFlash Command       | B2H                | -  | FCM[6:0]       |                       |                     |                         |                     |                     | 00H                |           |
| SFAL   | SuperFlash Address Low   | B3H                | SuperFlash Low Order Byte Address Register A <sub>7</sub> to A <sub>0</sub> (SFAL)   |                |                       |                     |                         |                     |                     | 00H                |           |
| SFAH   | SuperFlash Address High  | B4H                | SuperFlash High Order Byte Address Register A <sub>15</sub> to A <sub>8</sub> (SFAH) |                |                       |                     |                         |                     |                     | 00H                |           |
| SFDT   | SuperFlash Data          | B5H                | SuperFlash Data Register   |                |                       |                     |                         |                     |                     | 00H                |           |
| SFST   | SuperFlash Status        | B6H<br>SFST_SEL=0H | Manufacturer's ID  |                |                       |                     |                         |                     |                     | BFH                |           |
|        |                          | SFST_SEL=1H        | Device ID0 (F7H indicates Device ID1 is real ID)                                     |                |                       |                     |                         |                     |                     |                    |           |
|        |                          | SFST_SEL=2H        | Device ID1   |                |                       |                     |                         |                     |                     |                    |           |
|        |                          | SFST_SEL=3H        | Boot Vector  |                |                       |                     |                         |                     |                     |                    |           |
|        |                          | SFST_SEL=4H        | -  | -              | -                     | PAGE4               | PAGE3                   | PAGE2               | PAGE1               | PAGE0              |           |
|        |                          | SFST_SEL=5H        | X  | Boot From Zero | Boot-From-User-Vector | Enable Clock-Double | Disable-Extern-Host-Cmd | Disable-Extern-MOVC | Disable-Extern-Boot | Disable-Extern-IAP |           |

T3-4.0 1259

**TABLE 3-5: Watchdog Timer SFRs**

| Symbol            | Description                | Direct Address | Bit Address, Symbol, or Alternative Port Function |       |      |     |      |      |     | Reset Value |           |
|-------------------|----------------------------|----------------|---|-------|------|-----|------|------|-----|-------------|-----------|
|                   |                            |                | MSB   |       |      | LSB |      |      |     |             |           |
| WDTC <sup>1</sup> | Watchdog Timer Control     | C0H            | -   | WDTON | WDFE | -   | WDRE | WDTS | WDT | SWDT        | x0000000b |
| WDTD              | Watchdog Timer Data/Reload | 85H            | Watchdog Timer Data/Reload                        |       |      |     |      |      |     | 00H         |           |

T3-5.0 1259

1. Bit Addressable SFRs

**TABLE 3-6: Feed Sequence SFRs**

| Symbol | Description    | Direct Address | Bit Address, Symbol, or Alternative Port Function |  |  |     |  |  |  | Reset Value |
|--------|----------------|----------------|---|--|--|-----|--|--|--|-------------|
|        |                |                | MSB   |  |  | LSB |  |  |  |             |
| SFIS0  | Sequence Reg 0 | 97H            | (Write only)                                      |  |  |     |  |  |  | 00H         |
| SFIS1  | Sequence Reg 1 | C4H            | (Write only)                                      |  |  |     |  |  |  | 00H         |

T3-6.0 1259



**TABLE 3-7: Timer/Counters SFRs**

| Symbol             | Description                | Direct Address | Bit Address, Symbol, or Alternative Port Function |      |      |      |         |      |       |         | Reset Value |
|--------------------|----------------------------|----------------|---|------|------|------|---------|------|-------|---------|-------------|
|                    |                            |                | MSB   |      |      |      | LSB     |      |       |         |             |
| TMOD               | Timer/Counter Mode Control | 89H            | Timer 1   |      |      |      | Timer 0 |      |       |         | 00H         |
|                    |                            |                | GATE  | C/T# | M1   | M0   | GATE    | C/T# | M1    | M0      |             |
| TCON <sup>1</sup>  | Timer/Counter Control      | 88H            | TF1   | TR1  | TF0  | TR0  | IE1     | IT1  | IE0   | IT0     | 00H         |
| TH0                | Timer 0 MSB                | 8CH            | TH0[7:0]  |      |      |      |         |      |       |         | 00H         |
| TL0                | Timer 0 LSB                | 8AH            | TL0[7:0]  |      |      |      |         |      |       |         | 00H         |
| TH1                | Timer 1 MSB                | 8DH            | TH1[7:0]  |      |      |      |         |      |       |         | 00H         |
| TL1                | Timer 1 LSB                | 8BH            | TL1[7:0]  |      |      |      |         |      |       |         | 00H         |
| T2CON <sup>1</sup> | Timer / Counter 2 Control  | C8H            | TF2   | EXF2 | RCLK | TCLK | EXEN2   | TR2  | C/T2# | CP/RL2# | 00H         |
| T2MOD#             | Timer2 Mode Control        | C9H            | -   | -    | -    | -    | -       | -    | T2OE  | DCEN    | xxxxxx00b   |
| TH2                | Timer 2 MSB                | CDH            | TH2[7:0]  |      |      |      |         |      |       |         | 00H         |
| TL2                | Timer 2 LSB                | CCH            | TL2[7:0]  |      |      |      |         |      |       |         | 00H         |
| RCAP2H             | Timer 2 Capture MSB        | CBH            | RCAP2H[7:0]                                       |      |      |      |         |      |       |         | 00H         |
| RCAP2L             | Timer 2 Capture LSB        | CAH            | RCAP2L[7:0]                                       |      |      |      |         |      |       |         | 00H         |

T3-7.0 1259

1. Bit Addressable SFRs

**TABLE 3-8: Interface SFRs**

| Symbol            | Description         | Direct Address | Bit Address, Symbol, or Alternative Port Function |     |     |     |       |       |      |     | RESET Value   |
|-------------------|---------------------|----------------|---|-----|-----|-----|-------|-------|------|-----|---------------|
|                   |                     |                | MSB   |     |     |     | LSB   |       |      |     |               |
| SBUF              | Serial Data Buffer  | 99H            | SBUF[7:0]   |     |     |     |       |       |      |     | Indeterminate |
| SCON <sup>1</sup> | Serial Port Control | 98H            | SM0/FE  | SM1 | SM2 | REN | TB8   | RB8   | TI   | RI  | 00H           |
| SADDR             | Slave Address       | A9H            | SADDR[7:0]  |     |     |     |       |       |      |     | 00H           |
| SADEN             | Slave Address Mask  | B9H            | SADEN[7:0]  |     |     |     |       |       |      |     | 00H           |
| P0 <sup>1</sup>   | Port 0              | 80H            | P0[7:0]   |     |     |     |       |       |      |     | FFH           |
| P1 <sup>1</sup>   | Port 1              | 90H            | -   | -   | -   | -   | -     | -     | T2EX | T2  | FFH           |
| P2 <sup>1</sup>   | Port 2              | A0H            | P2[7:0]   |     |     |     |       |       |      |     | FFH           |
| P3 <sup>1</sup>   | Port 3              | B0H            | RD#   | WR# | T1  | T0  | INT1# | INT0# | TXD  | RXD | FFH           |

T3-8.1 1259

1. Bit Addressable SFRs

**TABLE 3-9: Clock Option SFR**

| Symbol | Description           | Direct Address | Bit Address, Symbol, or Alternative Port Function |   |   |   |      |        |       | Reset Value |
|--------|-----------------------|----------------|---|---|---|---|------|--------|-------|-------------|
|        |                       |                | MSB   |   |   |   | LSB  |        |       |             |
| COSR   | Clock Option Register | BFH            | -   | - | - | - | COEN | CO_REL | CO_IN | 0x00000b    |



Data Sheet

**SuperFlash Configuration Register (SFCF)**

| Location | 7              | 6     | 5 | 4     | 3 | 2        | 1 | 0 | Reset Value |
|----------|----------------|-------|---|-------|---|----------|---|---|-------------|
| B1H      | CMD_<br>Status | IAPEN | - | HWIAP | - | SFST_SEL |   |   | 1000000b    |

| <b>Symbol</b> | <b>Function</b>   |
|---------------|---|
| CMD_Status    | IAP Command Completion Status<br>0: IAP command is ignored<br>1: IAP command is completed fully   |
| IAPEN         | IAP Enable Bit<br>0: Disable all IAP commands (Commands will be ignored)<br>1: Enable all IAP commands  |
| HWIAP         | Boot Status Flag<br>0: System boots up without special pin configuration setup<br>1: System boots up with both P1[0] and P1[1] pins in logic low state during reset.<br>(See Figure 9-3.) |
| SFST_SEL      | Provide index to read back information when read to SFST register is executed.<br>(See , “SuperFlash Status Register (SFST) (Read Only Register)” on page 18 for detailed settings.)      |





**SuperFlash Command Register (SFCM)**

| Location | 7 | 6    | 5    | 4    | 3    | 2    | 1    | 0    | Reset Value |
|----------|---|------|------|------|------|------|------|------|-------------|
| B2H      | - | FCM6 | FCM5 | FCM4 | FCM3 | FCM2 | FCM1 | FCM0 | 00H         |

**Symbol      Function**

-              Reserved

FCM[6:0]      Flash operation command

000\_0001b Chip-Erase

000\_1011b Sector-Erase

000\_1101b Partition0-Erase

000\_1100b Byte-Verify<sup>1</sup>

000\_1110b Byte-Program

000\_0011b Secure-Page

Page-Level Security Commands

SFAH=90H; Secure-Page0

SFAH=91H; Secure-Page1

SFAH=92H; Secure-Page2

SFAH=93H; Secure-Page3

SFAH=94H; Secure-Page4

000-0101b Secure-Chip

Chip-Level Security Commands

SFAH=B0H; Disable-Extern-IAP

SFAH=B1H; Disable-Extern-Boot

SFAH=B2H; Disable-Extern-MOVC

SFAH=B3H; Disable-Extern-Host-Cmd

000-1000b Boot Options

Boot Option Setting Commands

SFAH=E0H; Enable-Clock-Double

SFAH=E1H; Boot-From-User-Vector

SFAH=E2H; Boot-From-Zero

000-1001b Set-User-Boot-Vector

All other combinations are not implemented, and reserved for future use.

1. Byte-Verify has a single machine cycle latency and will not generate any INT1# interrupt regardless of FIE.

**SuperFlash Address Registers (SFAL)**

| Location | 7  | 6 | 5 | 4 | 3 | 2 | 1 | 0 | Reset Value |
|----------|--|---|---|---|---|---|---|---|-------------|
| B3H      | SuperFlash Low Order Byte Address Register |   |   |   |   |   |   |   | 00H         |

**Symbol      Function**

SFAL              Mailbox register for interfacing with flash memory block. (Low order address register).

**SuperFlash Address Registers (SFAH)**

| Location | 7   | 6 | 5 | 4 | 3 | 2 | 1 | 0 | Reset Value |
|----------|---|---|---|---|---|---|---|---|-------------|
| B4H      | SuperFlash High Order Byte Address Register |   |   |   |   |   |   |   | 00H         |

**Symbol      Function**

SFAH              Mailbox register for interfacing with flash memory block. (High order address register).



Data Sheet

**SuperFlash Data Register (SFDT)**

|                 |                          |          |          |          |          |          |          |          |                    |
|-----------------|--------------------------|----------|----------|----------|----------|----------|----------|----------|--------------------|
| <b>Location</b> | <b>7</b>                 | <b>6</b> | <b>5</b> | <b>4</b> | <b>3</b> | <b>2</b> | <b>1</b> | <b>0</b> | <b>Reset Value</b> |
| B5H             | SuperFlash Data Register |          |          |          |          |          |          |          | 00H                |

| Symbol | Function   |
|--------|--|
| SFDT   | Mailbox register for interfacing with flash memory block. (Data register). |

**SuperFlash Status Register (SFST) (Read Only Register)**

|                 |                            |          |          |          |          |          |          |          |                    |
|-----------------|----------------------------|----------|----------|----------|----------|----------|----------|----------|--------------------|
| <b>Location</b> | <b>7</b>                   | <b>6</b> | <b>5</b> | <b>4</b> | <b>3</b> | <b>2</b> | <b>1</b> | <b>0</b> | <b>Reset Value</b> |
| B6H             | SuperFlash Status Register |          |          |          |          |          |          |          | 10111111b          |

| Symbol | Function   |
|--------|--|
| SFST   | <p>This is a read-only register. The read-back value is indexed by SFST_SEL in the SuperFlash Configuration Register (SFCF).</p> <p>SFST_SEL=0H: Manufacturer's ID</p> <p style="padding-left: 20px;">1H: Device ID0 = F7H</p> <p style="padding-left: 20px;">2H: Device ID1 = Device ID (Refer to Table 4-1 on page 27)</p> <p style="padding-left: 20px;">3H: Boot Vector</p> <p style="padding-left: 20px;">4H: Page-Security bit setting</p> <p style="padding-left: 20px;">5H: Chip-Level Security bit setting and Boot Options</p> |



**Interrupt Enable (IE)**

| Location | 7  | 6 | 5   | 4  | 3   | 2   | 1   | 0   | Reset Value |
|----------|----|---|-----|----|-----|-----|-----|-----|-------------|
| A8H      | EA | - | ET2 | ES | ET1 | EX1 | ET0 | EX0 | 00H         |

| Symbol | Function  |
|--------|---|
| EA     | Global Interrupt Enable.<br>0 = Disable<br>1 = Enable |
| ET2    | Timer 2 Interrupt Enable.                             |
| ES     | Serial Interrupt Enable.                              |
| ET1    | Timer 1 Interrupt Enable.                             |
| EX1    | External 1 Interrupt Enable.                          |
| ET0    | Timer 0 Interrupt Enable.                             |
| EX0    | External 0 Interrupt Enable.                          |

**Interrupt Enable A (IEA)**

| Location | 7 | 6   | 5 | 4 | 3 | 2 | 1 | 0 | Reset Value |
|----------|---|-----|---|---|---|---|---|---|-------------|
| E8H      | - | EWD | - | - | - | - | - | - | x0xxxxxb    |

| Symbol | Function  |
|--------|---|
| EWD    | Watchdog Interrupt Enable.<br>1 = Enable the interrupt<br>0 = Disable the interrupt |



Data Sheet

**Interrupt Priority (IP)**

| Location | 7 | 6 | 5   | 4  | 3   | 2   | 1   | 0   | Reset Value |
|----------|---|---|-----|----|-----|-----|-----|-----|-------------|
| B8H      | - | - | PT2 | PS | PT1 | PX1 | PT0 | PX0 | x0000000b   |

| Symbol | Function                            |
|--------|-------------------------------------|
| PT2    | Timer 2 interrupt priority bit.     |
| PS     | Serial Port interrupt priority bit. |
| PT1    | Timer 1 interrupt priority bit.     |
| PX1    | External interrupt 1 priority bit.  |
| PT0    | Timer 0 interrupt priority bit.     |
| PX0    | External interrupt 0 priority bit.  |

**Interrupt Priority High (IPH)**

| Location | 7 | 6 | 5    | 4   | 3    | 2    | 1    | 0    | Reset Value |
|----------|---|---|------|-----|------|------|------|------|-------------|
| B7H      | - | - | PT2H | PSH | PT1H | PX1H | PT0H | PX0H | x0000000b   |

| Symbol | Function                                 |
|--------|--|
| PT2H   | Timer 2 interrupt priority bit high.     |
| PSH    | Serial Port interrupt priority bit high. |
| PT1H   | Timer 1 interrupt priority bit high.     |
| PX1H   | External interrupt 1 priority bit high.  |
| PT0H   | Timer 0 interrupt priority bit high.     |
| PX0H   | External interrupt 0 priority bit high.  |

**Interrupt Priority A (IPA)**

| Location | 7 | 6   | 5 | 4 | 3 | 2 | 1 | 0 | Reset Value |
|----------|---|-----|---|---|---|---|---|---|-------------|
| F8H      | - | PWD | - | - | - | - | - | - | x0xxxxxxb   |

| Symbol | Function                         |
|--------|----------------------------------|
| PWD    | Watchdog interrupt priority bit. |

**Interrupt Priority A High (IPAH)**

| Location | 7 | 6    | 5 | 4 | 3 | 2 | 1 | 0 | Reset Value |
|----------|---|------|---|---|---|---|---|---|-------------|
| F7H      | - | PWDH | - | - | - | - | - | - | x0xxxxxxb   |

| Symbol | Function                              |
|--------|---------------------------------------|
| PWDH   | Watchdog interrupt priority bit high. |



**Auxiliary Register (AUXR)**

| Location | 7 | 6 | 5 | 4 | 3 | 2 | 1      | 0  | Reset Value |
|----------|---|---|---|---|---|---|--------|----|-------------|
| 8EH      | - | - | - | - | - | - | EXTRAM | AO | xxxxxx10b   |

| Symbol | Function  |
|--------|---|
| EXTRAM | Internal/External RAM access<br>0: Internal Expanded RAM access within range of 00H to FFH using MOVX @Ri / @DPTR. Beyond 100H, the MCU always accesses external data memory. For details, refer to Section 3.3, "Expanded Data RAM Addressing".<br>1: External data memory access. |
| AO     | Disable/Enable ALE<br>0: ALE is emitted at a constant rate of 1/3 the oscillator frequency in 6 clock mode, 1/6 f <sub>OSC</sub> in 12 clock mode.<br>1: ALE is active only during a MOVX or MOVC instruction.  |

**Auxiliary Register 1 (AUXR1)**

| Location | 7 | 6 | 5 | 4 | 3   | 2 | 1 | 0   | Reset Value |
|----------|---|---|---|---|-----|---|---|-----|-------------|
| A2H      | - | - | - | - | GF2 | 0 | - | DPS | xxxx00x0b   |

| Symbol | Function  |
|--------|---|
| GF2    | General purpose user-defined flag   |
| DPS    | DPTR registers select bit<br>0: DPTR0 is selected.<br>1: DPTR1 is selected. |

**Sequence Register 0 (SFIS0)**

| Location | 7            | 6 | 5 | 4 | 3 | 2 | 1 | 0 | Reset Value |
|----------|--------------|---|---|---|---|---|---|---|-------------|
| 97H      | (Write only) |   |   |   |   |   |   |   | N/A         |

| Symbol | Function   |
|--------|--|
| SFIS0  | Register used with SFIS1 to provide a feed sequence to validate writing to WDTC and SFCM. Without a proper feed sequence, writing to SFCM will be ignored and writing to WDTC in Watchdog mode will cause an immediate Watchdog reset. |

**Sequence Register 1 (SFIS1)**

| Location | 7            | 6 | 5 | 4 | 3 | 2 | 1 | 0 | Reset Value |
|----------|--------------|---|---|---|---|---|---|---|-------------|
| C4H      | (Write only) |   |   |   |   |   |   |   | N/A         |

| Symbol | Function  |
|--------|---|
| SFIS1  | Register used with SFIS0 to provide a feed sequence to validate writing to WDTC and SFCM. |



Data Sheet

**Watchdog Timer Control Register (WDTC)**

| Location | 7 | 6     | 5    | 4 | 3    | 2    | 1   | 0    | Reset Value |
|----------|---|-------|------|---|------|------|-----|------|-------------|
| C0H      | - | WDTON | WDFE | - | WDRE | WDTS | WDT | SWDT | x0000000b   |

| Symbol | Function  |
|--------|---|
| WDTON  | Watchdog timer start control bit (Used in Watchdog mode)<br>0: Watchdog timer can be started or stopped freely during Watchdog mode.<br>1: Start Watchdog timer; bit cannot be cleared by software.   |
| WDFE   | Watchdog feed sequence error flag<br>0: Watchdog feed sequence error has not occurred.<br>1: Due to an incorrect feed sequence before writing to WDTC in Watchdog mode, the hardware entered Watchdog reset and set this flag to "1." This is for software to detect whether the Watchdog reset was caused by timer expiration or an incorrect feed sequence. |
| WDRE   | Watchdog timer reset enable.<br>0: Disable Watchdog timer reset.<br>1: Enable Watchdog timer reset.   |
| WDTS   | Watchdog timer reset flag.<br>0: External hardware reset or power-on reset clears the flag.<br>Flag can also be cleared by writing a 1.<br>Flag survives if chip reset happened because of Watchdog timer overflow.<br>1: Hardware sets the flag on watchdog overflow.  |
| WDT    | Watchdog timer refresh.<br>0: Hardware resets the bit when refresh is done.<br>1: Software sets the bit to force a Watchdog timer refresh.  |
| SWDT   | Start Watchdog timer.<br>0: Stop WDT.<br>1: Start WDT.  |



**Clock Option Register (COSR)**

| Location | 7 | 6 | 5 | 4 | 3    | 2      | 1 | 0     | Reset Value |
|----------|---|---|---|---|------|--------|---|-------|-------------|
| BFH      | - | - | - | - | COEN | CO_SEL |   | CO_IN | 00H         |

**Symbol      Function**

**COEN**      Clock Divider Enable  
0: Disable Clock Divider  
1: Enable Clock Divider

**CO\_SEL**      Clock Divider Selection  
00b: 1/4 clock source  
01b: 1/16 clock source  
10b: 1/256 clock source  
11b: 1/1024 clock source

**CO\_IN**      Clock Source Selection  
0b: Select clock from 1x clock  
1b: Select clock from 2x clock

The default value of this bit is set during Power-on reset by copying from Enable\_Clock\_Double\_i non-volatile bit setting. CO\_IN can be changed during normal operation to select the double clock option.

If the clock source is a 1x clock, the clock divider exports 1/4, 1/16, 1/256, or 1/1024 of the input clock.

If the clock source is a 2x clock, the clock divider exports 1/2, 1/8, 1/128, or 1/512 of the input clock.

**Power Management Control Register (PMC)**

| Location | 7 | 6 | 5   | 4   | 3    | 2   | 1   | 0    | Reset Value |
|----------|---|---|-----|-----|------|-----|-----|------|-------------|
| A1H      | - | - | WDU | TCT | TCT2 | PB2 | PB1 | UART | xx000000b   |

**Symbol      Function**

**WDU**      Watchdog Timer Clock Control  
0:The clock for the Watchdog timer is running  
1:The clock for the Watchdog timer is stopped

**TCT**      Timer 0/1 Clock Control  
0:The Timer 0/1 logic is running  
1:The Timer 0/1 logic is stopped

**TCT2**      Timer 2 Clock Control  
0:The Timer 2 logic is running  
1:The Timer 2 logic is stopped

**PB2**      Further Power Control 2  
0:The PB2 logic is running  
1:The PB2 logic is stopped

**PB1**      Further Power Control 1  
0:The PB1 logic is running  
1:The PB1 logic is stopped

Power consumption can be decreased by setting both PB2 and PB1 to 1.

**UART**      UART Clock Control  
0:The UART logic is running  
1:The UART logic is stopped



Data Sheet

**Watchdog Timer Data/Reload Register (WDTD)**

|                 |                            |          |          |          |          |          |          |          |                    |
|-----------------|----------------------------|----------|----------|----------|----------|----------|----------|----------|--------------------|
| <b>Location</b> | <b>7</b>                   | <b>6</b> | <b>5</b> | <b>4</b> | <b>3</b> | <b>2</b> | <b>1</b> | <b>0</b> | <b>Reset Value</b> |
| 85H             | Watchdog Timer Data/Reload |          |          |          |          |          |          |          | 00H                |

**Power Control Register (PCON)**

|                 |          |          |          |          |          |          |          |          |                    |
|-----------------|----------|----------|----------|----------|----------|----------|----------|----------|--------------------|
| <b>Location</b> | <b>7</b> | <b>6</b> | <b>5</b> | <b>4</b> | <b>3</b> | <b>2</b> | <b>1</b> | <b>0</b> | <b>Reset Value</b> |
| 87H             | SMOD1    | SMOD0    | -        | POF      | GF1      | GF0      | PD       | IDL      | 00x10000b          |

| <b>Symbol</b> | <b>Function</b>  |
|---------------|--|
| SMOD1         | Double Baud rate bit. If SMOD1 = 1, Timer 1 is used to generate the baud rate, and the serial port is used in modes 1, 2, and 3.                                       |
| SMOD0         | FE/SM0 Selection bit.<br>0: SCON[7] = SM0<br>1: SCON[7] = FE,  |
| POF           | Power-on reset status bit, this bit will not be affected by any other reset. POF should be cleared by software.<br>0: No Power-on reset.<br>1: Power-on reset occurred |
| GF1           | General-purpose flag bit.  |
| GF0           | General-purpose flag bit.  |
| PD            | Power-down bit, this bit is cleared by hardware after exiting from power-down mode.<br>0: Power-down mode is not activated.<br>1: Activates Power-down mode.           |
| IDL           | Idle mode bit, this bit is cleared by hardware after exiting from idle mode.<br>0: Idle mode is not activated.<br>1: Activates idle mode.                              |





**Serial Port Control Register (SCON)**

|                 |          |          |          |          |          |          |          |          |                    |
|-----------------|----------|----------|----------|----------|----------|----------|----------|----------|--------------------|
| <b>Location</b> | <b>7</b> | <b>6</b> | <b>5</b> | <b>4</b> | <b>3</b> | <b>2</b> | <b>1</b> | <b>0</b> | <b>Reset Value</b> |
| 98H             | SM0/FE   | SM1      | SM2      | REN      | TB8      | RB8      | TI       | RI       | 0000000b           |

| Symbol | Function  |
|--------|---|
| FE     | Set SMOD0 = 1 to access FE bit.<br>0: No framing error<br>1: Framing Error. Set by receiver when an invalid stop bit is detected. This bit needs to be cleared by software. |
| SM0    | SMOD0 = 0 to access SM0 bit.<br>Serial Port Mode Bit 0  |
| SM1    | Serial Port Mode Bit 1  |

| SM0 | SM1 | Mode | Description    | Baud Rate <sup>1</sup>  |
|-----|-----|------|----------------|---|
| 0   | 0   | 0    | Shift Register | $f_{osc}/6$ (6 clock mode) or $f_{osc}/12$ (12 clock mode)                                  |
| 0   | 1   | 1    | 8-bit UART     | Variable  |
| 1   | 0   | 2    | 9-bit UART     | $f_{osc}/32$ or $f_{osc}/16$ (6 clock mode) or $f_{osc}/64$ or $f_{osc}/32$ (12 clock mode) |
| 1   | 1   | 3    | 9-bit UART     | Variable  |

1.  $f_{osc}$  = oscillator frequency

|     |  |
|-----|--|
| SM2 | Enables the Automatic Address Recognition feature in Modes 2 or 3. If SM2 = 1 then RI will not be set unless the received 9th data bit (RB8) is 1, indicating an address, and the received byte is a given or broadcast address. In Mode 1, if SM2 = 1 then RI will not be activated unless a valid stop bit was received. In Mode 0, SM2 should be 0. |
| REN | Enables serial reception.<br>0: to disable reception.<br>1: to enable reception.   |
| TB8 | The 9th data bit that will be transmitted in Modes 2 and 3. Set or clear by software as desired.   |
| RB8 | In Modes 2 and 3, the 9th data bit that was received. In Mode 1, if SM2 = 0, RB8 is the stop bit that was received. In Mode 0, RB8 is not used.  |
| TI  | Transmit interrupt flag. Set by hardware at the end of the 8th bit time in Mode 0, or at the beginning of the stop bit in the other modes, in any serial transmission, Must be cleared by software.  |
| RI  | Receive interrupt flag. Set by hardware at the end of the 8th bit time in Mode 0, or halfway through the stop bit time in the other modes, in any serial reception (except see SM2). Must be cleared by software.  |



Data Sheet

**Timer/Counter 2 Control Register (T2CON)**

| Location | 7   | 6    | 5    | 4    | 3     | 2   | 1     | 0       | Reset Value |
|----------|-----|------|------|------|-------|-----|-------|---------|-------------|
| C8H      | TF2 | EXF2 | RCLK | TCLK | EXEN2 | TR2 | C/T2# | CP/RL2# | 00H         |

| Symbol  | Function   |
|---------|--|
| TF2     | Timer 2 overflow flag set by a Timer 2 overflow and must be cleared by software. TF2 will not be set when either RCLK or TCLK = 1.   |
| EXF2    | Timer 2 external flag set when either a capture or reload is caused by a negative transition on T2EX and EXEN2 = 1. When Timer 2 interrupt is enabled, EXF2 = 1 will cause the CPU to vector to the Timer 2 interrupt routine. EXF2 must be cleared by software. EXF2 does not cause an interrupt in up/down counter mode (DCEN = 1).  |
| RCLK    | Receive clock flag. When set, causes the serial port to use Timer 2 overflow pulses for its receive clock in modes 1 and 3. RCLK = 0 causes Timer 1 overflow to be used for the receive clock.   |
| TCLK    | Transmit clock flag. When set, causes the serial port to use Timer 2 overflow pulses for its transmit clock in modes 1 and 3. TCLK = 0 causes Timer 1 overflow to be used for the transmit clock.  |
| EXEN2   | Timer 2 external enable flag. When set, allows a capture or reload to occur as a result of a negative transition on T2EX if Timer 2 is not being used to clock the serial port. EXEN2 = 0 causes Timer 2 to ignore events at T2EX.   |
| TR2     | Start/stop control for Timer 2. A logic 1 starts the timer.  |
| C/T2#   | Timer or counter select (Timer 2)<br>0: Internal timer (OSC/6 in 6 clock mode, OSC/12 in 12 clock mode)<br>1: External event counter (falling edge triggered)  |
| CP/RL2# | Capture/Reload flag. When set, captures will occur on negative transitions at T2EX if EXEN2 = 1. When cleared, auto-reloads will occur either with Timer 2 overflows or negative transitions at T2EX when EXEN2 = 1. When either RCLK = 1 or TCLK = 1, this bit is ignored and the timer is forced to auto-reload on Timer 2 overflow. |

**Timer/Counter 2 Mode Control (T2MOD)**

| Location | 7 | 6 | 5 | 4 | 3 | 2 | 1    | 0    | Reset Value |
|----------|---|---|---|---|---|---|------|------|-------------|
| C9H      | - | - | - | - | - | - | T2OE | DCEN | xxxxxx00b   |

| Symbol | Function  |
|--------|---|
| -      | Not implemented, reserved for future use.<br><b>Note:</b> User should not write '1's to reserved bits. The value read from a reserved bit is indeterminate. |
| T2OE   | Timer 2 Output Enable bit.  |
| DCEN   | Down Count Enable bit. When set, this allows Timer 2 to be configured as an up/down counter.  |

## 4.0 FLASH MEMORY PROGRAMMING

The device internal flash memory can be programmed or erased using In-Application Programming (IAP).

### 4.1 Product Identification

The Read-ID command accesses the Signature Bytes that identify the device and the manufacturer as SST. External programmers primarily use these Signature Bytes in the selection of programming algorithms.

**TABLE 4-1: Product Identification**

|                      | Address | Data |
|----------------------|---------|------|
| Manufacturer's ID    | 30H     | BFH  |
| Device ID            | 31H     | F7H  |
| Device ID (extended) |         |      |
| SST89E54RC           | 32H     | 43H  |
| SST89E52RC           | 32H     | 42H  |

T4-1.1 1259

### 4.2 In-Application Programming

The device offers 17/9 KByte of in-application programmable flash memory. During In-Application Programming (IAP), the CPU of the microcontroller enters STOP mode. Upon completion of IAP, the CPU will be released to resume program execution. The mailbox registers (SFST, SFCM, SFAL, SFAH, SFDT and SFCF) located in the special function register (SFR), control and monitor the device's Erase and Program processes.

Table 4-3 outlines the commands and their associated mailbox register settings.

#### 4.2.1 IAP Mode Clock Source

During IAP mode, both the CPU core and the flash controller unit are driven off the external clock. However, an internal oscillator will provide timing references for Program and Erase operations. The internal oscillator is only turned on when required, and is turned off as soon as the flash operation is completed.

#### 4.2.2 IAP Enable Bit

The IAP enable bit, SFCF[6], enables In-Application programming mode. Until this bit is set, all flash programming IAP commands will be ignored.

#### 4.2.3 IAP Mode Commands

In order to protect the flash memory against inadvertent writes during unstable power conditions, all IAP commands need the following feed sequence to validate the execution of commands.

#### Feed Sequence

1. Write A2H to SFIS0 (097H)
2. Write DFH to SFIS1 (0C4H)
3. Then write IAP command to SFCM (0B2H)

**Note:** Above commands should be executed in sequence without interference from other instructions.

All of the following commands can only be initiated in the IAP mode. In all situations, writing the control byte to the SFCM register will initiate all of the operations. A feed sequence is required prior to issuing commands through SFCM. Without the feed sequence all IAP commands are ignored. Sector-Erase, Byte-Program, and Byte-Verify commands will not be carried out on a specific memory page if the security locks are enabled on the memory page.

The Byte-Program command is to update a byte of flash memory. If the original flash byte is not FFH, it should first be erased with an appropriate Erase command. **Warning: Do not attempt to write (Program or Erase) to a sector that the code is currently fetching from. This will cause unpredictable program behavior and may corrupt program data.**



Data Sheet

**4.2.3.1 Chip-Erase**

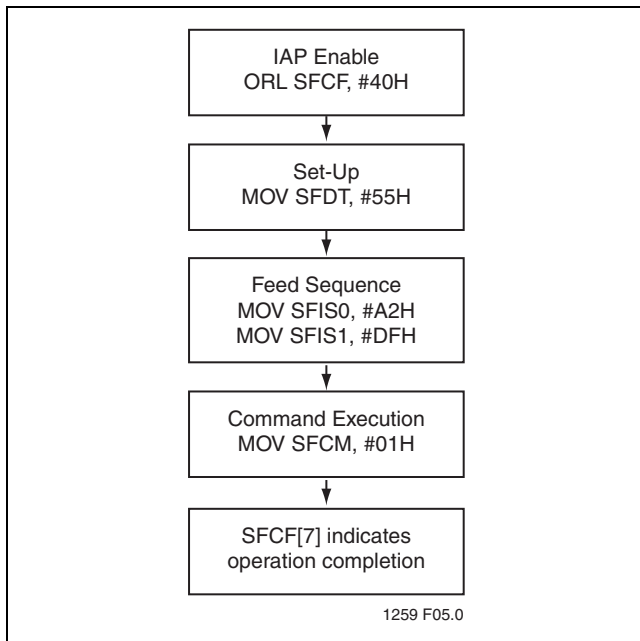
The Chip-Erase command erases all bytes in both memory partitions. This command is only allowed when EA#=0 (external memory execution).

Chip-Erase ignores the Security setting status and will erase all settings on all pages and the different chip-level security restrictions, returning the device to its Unlocked state. The Chip-Erase command will also erase the boot vector setting. Upon completion of Chip-Erase command, the chip will boot from the default setting. See Table 4-2 for the default boot vector setting.

**TABLE 4-2: Default Boot Vector Settings**

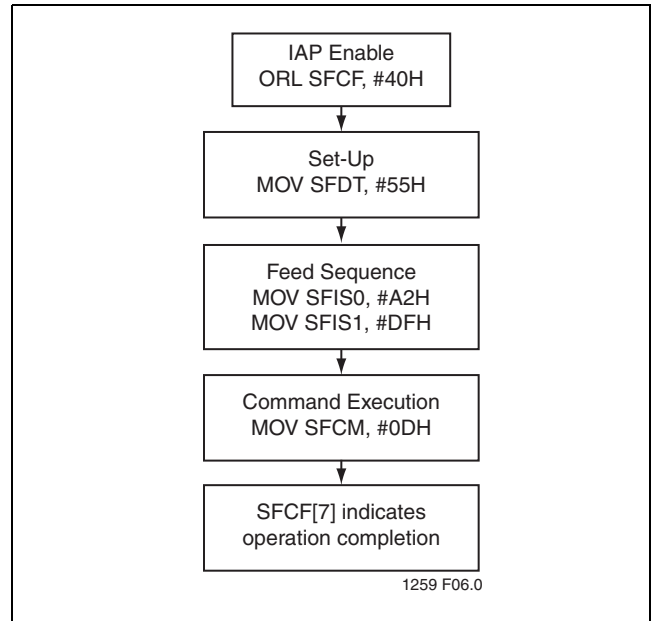
| Device     | Address |
|------------|---------|
| SST89E54RC | 4000H   |
| SST89E52RC | 2000H   |

T4-2.1 1259



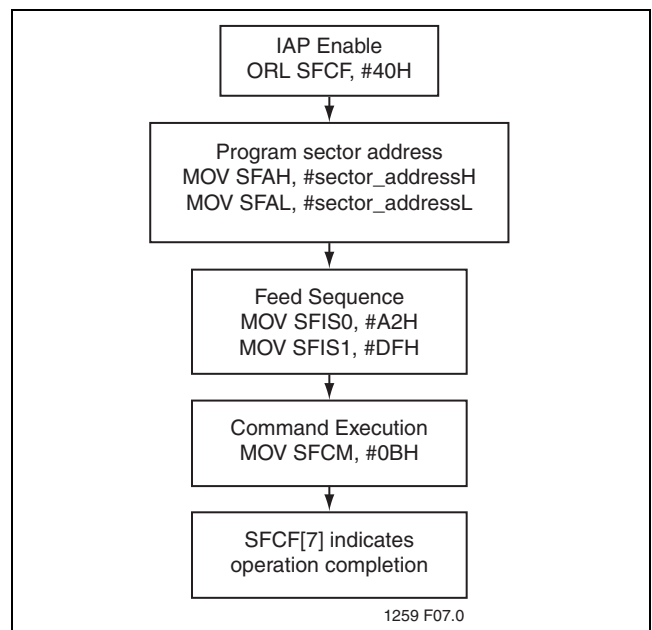
**4.2.3.2 Partition0-Erase**

The Partition0-Erase command erases all bytes in memory partition 0. All security bits associated with Page0-3 are also reset.



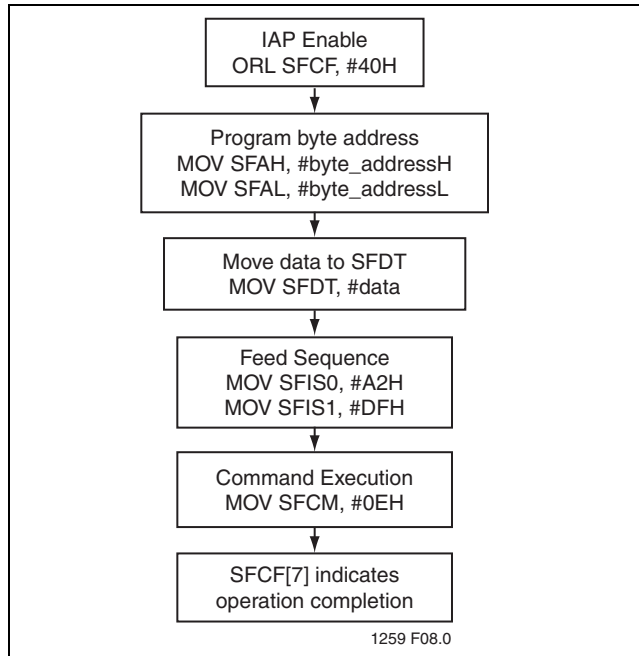
**4.2.3.3 Sector-Erase**

The Sector-Erase command erases all of the bytes in a sector. The sector size for the flash memory blocks is 128 Bytes. The selection of the sector to be erased is determined by the contents of SFAH and SFAL.



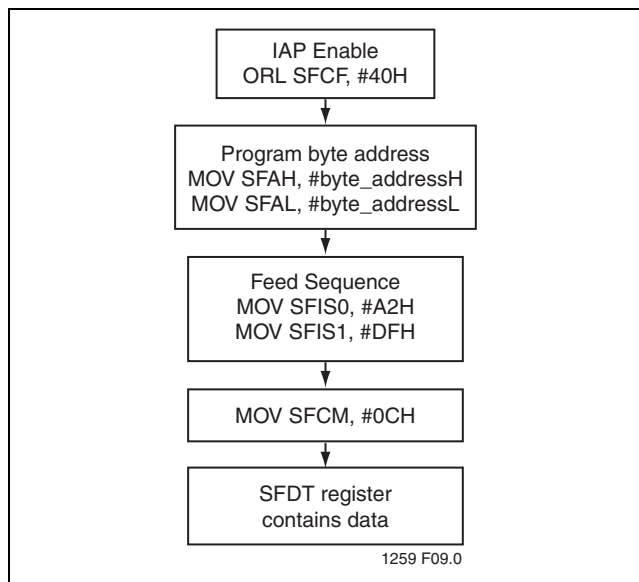
#### 4.2.3.4 Byte-Program

The Byte-Program command programs data into a single byte. The address is determined by the contents of SFAH and SFAL. The data byte is in SFDT.



#### 4.2.3.5 Byte-Verify

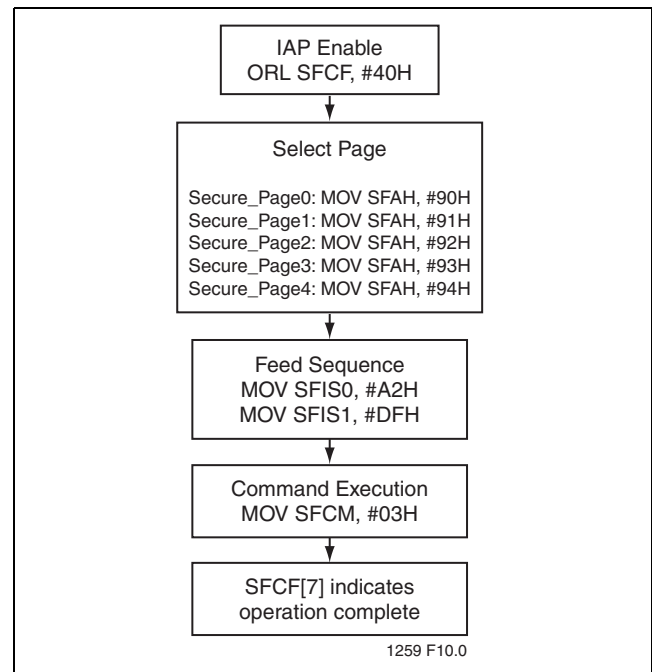
The Byte-Verify command allows the user to verify that the device has correctly performed an Erase or Program command. Byte-Verify command returns the data byte in SFDT if the command is successful. The previous flash operation has to be fully completed before a Byte-Verify command can be issued.



#### 4.2.3.6 Secure-Page0, Secure-Page1, Secure-Page2, Secure-Page3, and Secure-Page4

Secure-Page0, Secure-Page1, Secure-Page2, Secure-Page3, and Secure-Page4 commands are used to program the page security bits. Upon completion of any of these commands, the page security options will be updated immediately.

Page security bits previously in un-programmed state can be programmed by these commands. The factory setting for these bits is all "1"s which indicates the pages are not security locked.

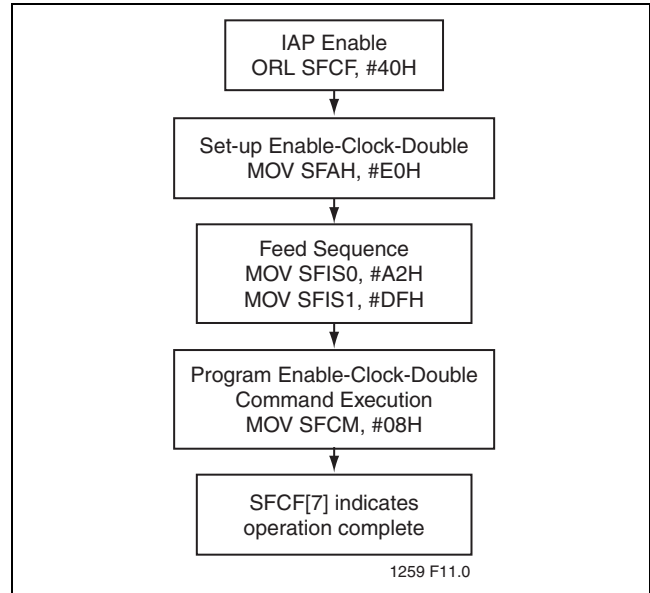




Data Sheet

**4.2.3.7 Enable-Clock-Double**

Enable-Clock-Double command is used to make the MCU run at 6 clocks per machine cycle. The standard (default) is 12 clocks per machine cycle (i.e. clock double command disabled).



**TABLE 4-3: IAP COMMANDS**

| Operation               | SFCM [6:0] | SFDT [7:0] | SFAH [7:0] | SFAL [7:0] |
|-------------------------|------------|------------|------------|------------|
| Chip-Erase              | 01H        | 55H        | X          | X          |
| Partition0-Erase        | 0DH        | 55H        | X          | X          |
| Sector-Erase            | 0BH        | X          | AH         | AL         |
| Byte-Program            | 0EH        | DI         | AH         | AL         |
| Byte-Verify (Read)      | 0CH        | DO         | AH         | AL         |
| Secure-Page0            | 03H        | X          | 90H        | X          |
| Secure-Page1            | 03H        | X          | 91H        | X          |
| Secure-Page2            | 03H        | X          | 92H        | X          |
| Secure-Page3            | 03H        | X          | 93H        | X          |
| Secure-Page4            | 03H        | X          | 94H        | X          |
| Disable-Extern-IAP      | 05H        | X          | B0H        | X          |
| Disable-Extern-Boot     | 05H        | X          | B1H        | X          |
| Disable-Extern-MOVC     | 05H        | X          | B2H        | X          |
| Disable-Extern-Host-Cmd | 05H        | X          | B3H        | X          |
| Enable-Clock-Double     | 08H        | X          | E0H        | X          |
| Boot-From-User-Vector   | 08H        | X          | E1H        | X          |
| Boot-From-Zero          | 08H        | X          | E2H        | X          |
| Set-User-Boot-Vector    | 09H        | DI         | F0H        | X          |

**Note:** V<sub>IL</sub> = Input Low Voltage; V<sub>IH</sub> = Input High Voltage; V<sub>IH1</sub> = Input High Voltage (XTAL, RST); X = Don't care; AL = Address low order byte; AH = Address high order byte; DI = Data Input; DO = Data Output.

T4-3.0 1259

**4.3 In-System Programming**

SST provides an example In-System Programming (ISP) solution for this device series. An example bootstrap loader can be pre-programmed into Partition1 to demonstrate the initial user program code loading or subsequent user code updating via the IAP operation.

Users can either use the SST ISP solution or develop a customized ISP solution. Customized ISP firmware can be pre-programmed into a user-defined boot vector. See Section "Boot Sequence" on page 40 for details.



## 5.0 TIMERS/COUNTERS

### 5.1 Timers

The device has three 16-bit registers that can be used as either timers or event counters. The three timers/counters are denoted Timer 0 (T0), Timer 1 (T1), and Timer 2 (T2). Each is designated a pair of 8-bit registers in the SFRs. The pair consists of a most significant (high) byte and least significant (low) byte. The respective registers are TL0, TH0, TL1, TH1, TL2, and TH2.

### 5.2 Timer Set-up

Refer to Table 3-7 for TMOD, TCON, and T2CON registers regarding timers T0, T1, and T2. The following tables provide TMOD values to be used to set up Timers T0, T1, and T2.

Except for the baud rate generator mode, the values given for T2CON do not include the setting of the TR2 bit. Therefore, bit TR2 must be set separately to turn the timer on.

TABLE 5-1: Timer/Counter 0

|                 | Mode | Function          | TMOD                          |                               |
|-----------------|------|-------------------|-------------------------------|-------------------------------|
|                 |      |                   | Internal Control <sup>1</sup> | External Control <sup>2</sup> |
| Used as Timer   | 0    | 13-bit Timer      | 00H                           | 08H                           |
|                 | 1    | 16-bit Timer      | 01H                           | 09H                           |
|                 | 2    | 8-bit Auto-Reload | 02H                           | 0AH                           |
|                 | 3    | Two 8-bit Timers  | 03H                           | 0BH                           |
| Used as Counter | 0    | 13-bit Timer      | 04H                           | 0CH                           |
|                 | 1    | 16-bit Timer      | 05H                           | 0DH                           |
|                 | 2    | 8-bit Auto-Reload | 06H                           | 0EH                           |
|                 | 3    | Two 8-bit Timers  | 07H                           | 0FH                           |

T5-1.0 1259

1. The Timer is turned ON/OFF by setting/clearing bit TR0 in the software.
2. The Timer is turned ON/OFF by the 1 to 0 transition on INT0# (P3.2) when TR0 = 1 (hardware control).

TABLE 5-2: Timer/Counter 1

|                 | Mode | Function          | TMOD                          |                               |
|-----------------|------|-------------------|-------------------------------|-------------------------------|
|                 |      |                   | Internal Control <sup>1</sup> | External Control <sup>2</sup> |
| Used as Timer   | 0    | 13-bit Timer      | 00H                           | 80H                           |
|                 | 1    | 16-bit Timer      | 10H                           | 90H                           |
|                 | 2    | 8-bit Auto-Reload | 20H                           | A0H                           |
|                 | 3    | Does not run      | 30H                           | B0H                           |
| Used as Counter | 0    | 13-bit Timer      | 40H                           | C0H                           |
|                 | 1    | 16-bit Timer      | 50H                           | D0H                           |
|                 | 2    | 8-bit Auto-Reload | 60H                           | E0H                           |
|                 | 3    | Not available     | -                             | -                             |

T5-2.0 1259

1. The Timer is turned ON/OFF by setting/clearing bit TR1 in the software.
2. The Timer is turned ON/OFF by the 1 to 0 transition on INT1# (P3.3) when TR1 = 1 (hardware control).

TABLE 5-3: Timer/Counter 2

|               | Mode  | T2CON                         |                               |
|---------------|---|-------------------------------|-------------------------------|
|               |   | Internal Control <sup>1</sup> | External Control <sup>2</sup> |
| Used as Timer | 16-bit Auto-Reload                                      | 00H                           | 08H                           |
|               | 16-bit Capture  | 01H                           | 09H                           |
|               | Baud rate generator receive and transmit same baud rate | 34H                           | 36H                           |
|               | Receive only  | 24H                           | 26H                           |
|               | Transmit only   | 14H                           | 16H                           |
|               | Used as Counter   | 16-bit Auto-Reload            | 02H                           |
|               | 16-bit Capture  | 03H                           | 0BH                           |

T5-3.0 1259

1. Capture/Reload occurs only on timer/counter overflow.
2. Capture/Reload occurs on timer/counter overflow and a 1 to 0 transition on T2EX (P1.1) pin except when Timer 2 is used in the baud rate generating mode.



### 5.3 Programmable Clock-Out

A 50% duty cycle clock can be programmed to come out on P1.0. This pin, besides being a regular I/O pin, has two alternate functions. It can be programmed:

1. to input the external clock for Timer/Counter 2, or
2. to output a 50% duty cycle clock ranging from 122 Hz to 8 MHz at a 16 MHz operating frequency (61 Hz to 4 MHz in 12 clock mode).

To configure Timer/Counter 2 as a clock generator, bit C/#T2 (in T2CON) must be cleared and bit T20E in T2MOD must be set. Bit TR2 (T2CON.2) also must be set to start the timer.

The Clock-Out frequency depends on the oscillator frequency and the reload value of Timer 2 capture registers (RCAP2H, RCAP2L) as shown in this equation:

$$\frac{\text{Oscillator Frequency}}{n \times (65536 - \text{RCAP2H}, \text{RCAP2L})}$$

n = 2 (in 6 clock mode)  
4 (in 12 clock mode)

Where (RCAP2H, RCAP2L) = the contents of RCAP2H and RCAP2L taken as a 16-bit unsigned integer.

In the Clock-Out mode, Timer 2 roll-overs will not generate an interrupt. This is similar to when it is used as a baud-rate generator. It is possible to use Timer 2 as a baud-rate generator and a clock generator simultaneously. Note, however, that the baud-rate and the Clock-Out frequency will not be the same.

## 6.0 SERIAL I/O

### 6.1 Full-Duplex, Enhanced UART

The device serial I/O port is a full-duplex port that allows data to be transmitted and received simultaneously in hardware by the transmit and receive registers, respectively, while the software is performing other tasks. The transmit and receive registers are both located in the Serial Data Buffer (SBUF) special function register. Writing to the SBUF register loads the transmit register, and reading from the SBUF register obtains the contents of the receive register.

The UART has four modes of operation which are selected by the Serial Port Mode Specifier (SM0 and SM1) bits of the Serial Port Control (SCON) special function register. In all four modes, transmission is initiated by any instruction that uses the SBUF register as a destination register. Reception is initiated in mode 0 when the Receive Interrupt (RI) flag bit of the Serial Port Control (SCON) SFR is cleared and the Reception Enable/ Disable (REN) bit of the SCON register is set. Reception is initiated in the other modes by the incoming start bit if the REN bit of the SCON register is set.

#### 6.1.1 Framing Error Detection

Framing Error Detection is a feature, which allows the receiving controller to check for valid stop bits in modes 1, 2, or 3. Missing stops bits can be caused by noise in serial lines or from simultaneous transmission by two CPUs.

Framing Error Detection is selected by going to the PCON register and changing SMOD0 = 1 (see Figure 6-1). If a stop bit is missing, the Framing Error bit (FE) will be set. Software may examine the FE bit after each reception to check for data errors. After the FE bit has been set, it can only be cleared by software. Valid stop bits do not clear FE. When FE is enabled, RI rises on the stop bit, instead of the last data bit (see Figure 6-2 and Figure 6-3).



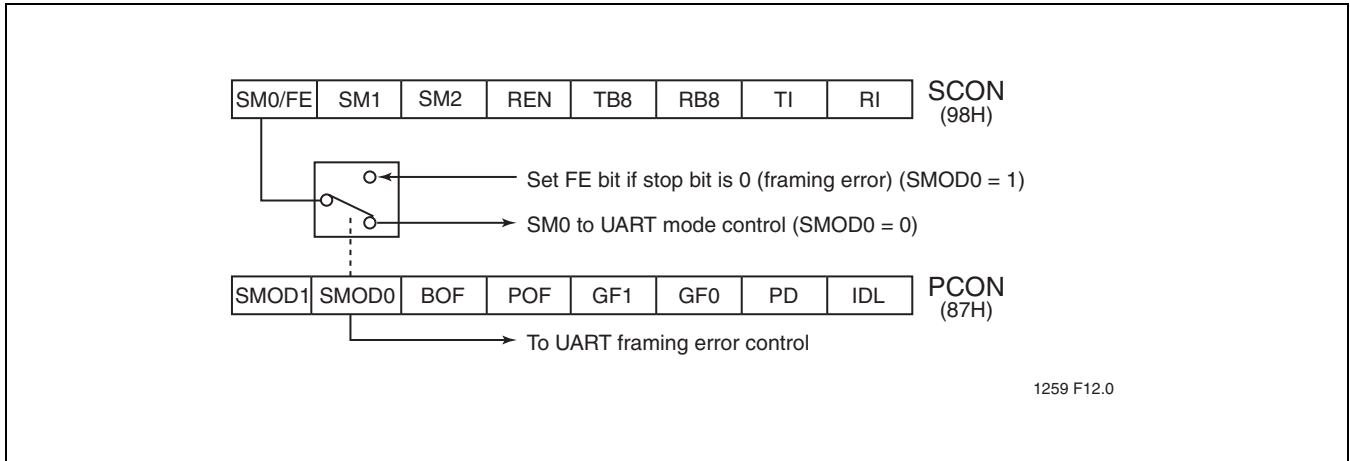


FIGURE 6-1: Framing Error Block Diagram

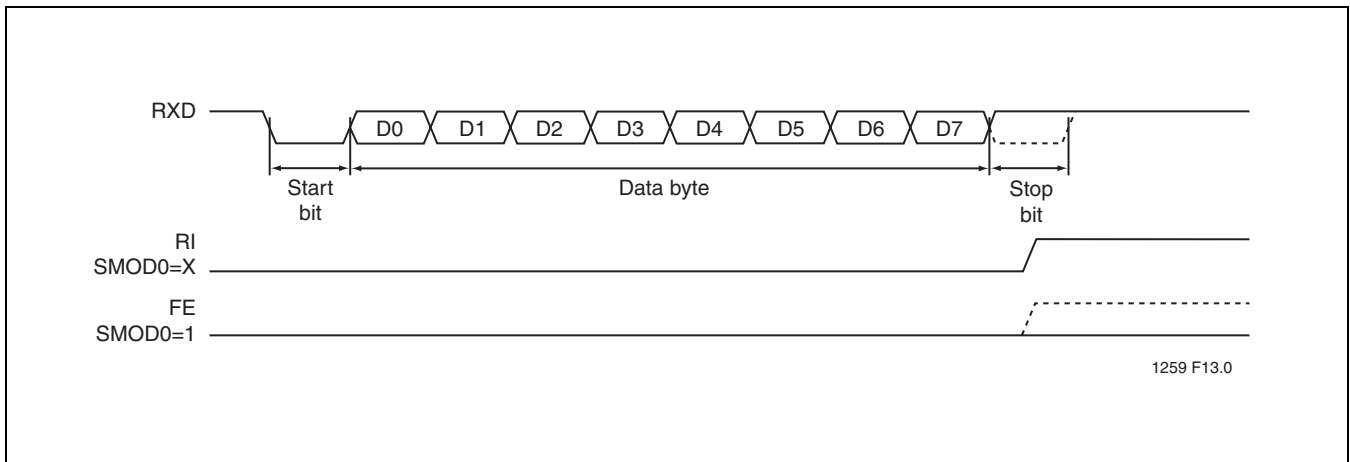


FIGURE 6-2: UART Timings in Mode 1

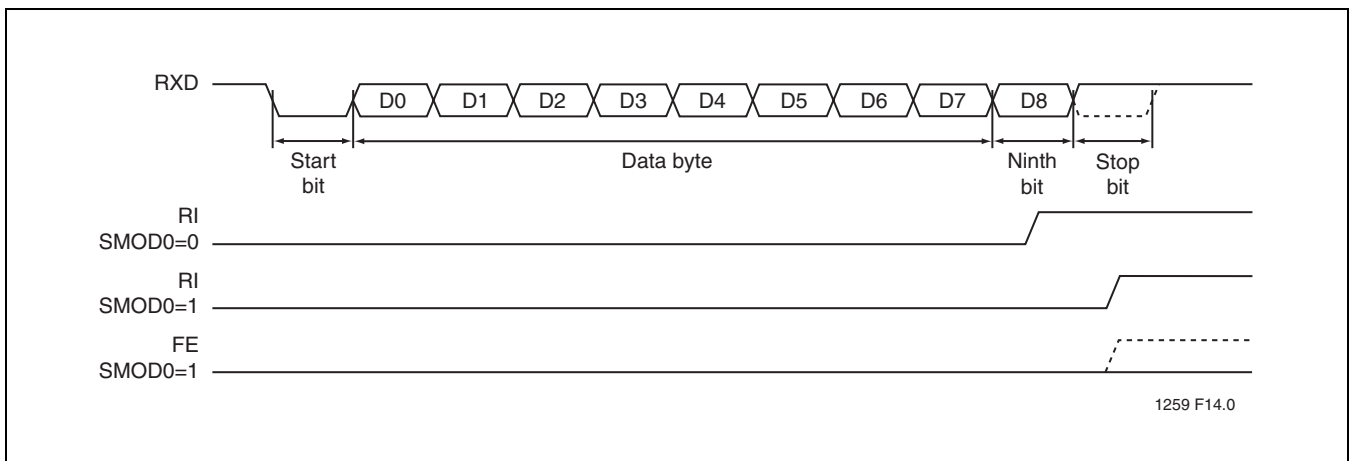


FIGURE 6-3: UART Timings in Modes 2 and 3



Data Sheet

**6.1.2 Automatic Address Recognition**

Automatic Address Recognition helps to reduce the MCU time and power required to talk to multiple serial devices. Each device is hooked together sharing the same serial link with its own address. In this configuration, a device is only interrupted when it receives its own address, thus eliminating the software overhead to compare addresses.

This same feature helps to save power because it can be used in conjunction with idle mode to reduce the system's overall power consumption. Since there may be multiple slaves hooked up serial to one master, only one slave would have to be interrupted from idle mode to respond to the master's transmission. Automatic Address Recognition (AAR) allows the other slaves to remain in idle mode while only one is interrupted. By limiting the number of interruptions, the total current draw on the system is reduced.

There are two ways to communicate with slaves: a group of them at once, or all of them at once. To communicate with a group of slaves, the master sends out an address called the given address. To communicate with all the slaves, the master sends out an address called the "broadcast" address.

AAR can be configured as mode 2 or 3 (9-bit modes) and setting the SM2 bit in SCON. Each slave has its own SM2 bit set waiting for an address byte (9th bit = 1). The Receive Interrupt (RI) flag will only be set when the received byte matches either the given address or the broadcast address. Next, the slave then clears its SM2 bit to enable reception of the data bytes (9th bit = 0) from the master. When the 9th bit = 1, the master is sending an address. When the 9th bit = 0, the master is sending actual data.

If mode 1 is used, the stop bit takes the place of the 9th bit. Bit RI is set only when the received command frame address matches the device's address and is terminated by a valid stop bit. Note that mode 0 cannot be used. Setting SM2 bit in the SCON register in mode 0 will have no effect.

Each slave's individual address is specified by SFR SADDR. SFR SADEN is a mask byte that defines "don't care" bits to form the given address when combined with SADDR. See the example below:

**Slave 1**  
SADDR = 1111 0001  
SADEN = 1111 1010  
GIVEN = 1111 0X0X

**Slave 2**  
SADDR = 1111 0011  
SADEN = 1111 1001  
GIVEN = 1111 0XX1

**6.1.2.1 Using the Given Address to Select Slaves**

Any bits masked off by a 0 from SADEN become a "don't care" bit for the given address. Any bit masked off by a 1, becomes ANDED with SADDR. The "don't cares" provide flexibility in the user-defined addresses to address more slaves when using the given address.

Shown in the example above, Slave 1 has been given an address of 1111 0001 (SADDR). The SADEN byte has been used to mask off bits to a given address to allow more combinations of selecting Slave 1 and Slave 2. In this case for the given addresses, the last bit (LSB) of Slave 1 is a "don't care" and the last bit of Slave 2 is a 1. To communicate with Slave 1 and Slave 2, the master would need to send an address with the last bit equal to 1 (e.g. 1111 0001) since Slave 1's last bit is a don't care and Slave 2's last bit has to be a 1. To communicate with Slave 1 alone, the master would send an address with the last bit equal to 0 (e.g. 1111 0000), since Slave 2's last bit is a 1. See the table below for other possible combinations.

| Select Slave 1 Only |               |                        |
|---------------------|---------------|------------------------|
| Slave 1             | Given Address | Possible Addresses     |
|                     | 1111 0X0X     | 1111 0000<br>1111 0100 |

| Select Slave 2 Only |               |                        |
|---------------------|---------------|------------------------|
| Slave 2             | Given Address | Possible Addresses     |
|                     | 1111 0XX1     | 1111 0111<br>1111 0011 |

| Select Slaves 1 and 2 |                        |
|-----------------------|------------------------|
| Slaves 1 and 2        | Possible Addresses     |
|                       | 1111 0001<br>1111 0101 |

If the user added a third slave such as the example below:

**Slave 3**  
SADDR = 1111 1001  
SADEN = 1111 0101  
GIVEN = 1111 X0X1



| Select Slave 3 Only |               |                        |
|---------------------|---------------|------------------------|
| Slave 2             | Given Address | Possible Addresses     |
|                     | 1111 X0X1     | 1111 1011<br>1111 1001 |

The user could use the possible addresses above to select slave 3 only. Another combination could be to select slave 2 and 3 only as shown below.

| Select Slaves 2 and 3 Only |                    |
|----------------------------|--------------------|
| Slaves 2 and 3             | Possible Addresses |
|                            | 1111 0011          |

More than one slave may have the same SADDR address as well, and a given address could be used to modify the address so that it is unique.

### 6.1.2.2 Using the Broadcast Address to Select Slaves

Using the broadcast address, the master can communicate with all the slaves at once. It is formed by performing a logical OR of SADDR and SADEN with 0s in the result treated as “don’t cares”.

#### Slave 1

$$\begin{aligned}
 1111\ 0001 &= \text{SADDR} \\
 +1111\ 1010 &= \text{SADEN} \\
 \hline
 1111\ 1X11 &= \text{Broadcast}
 \end{aligned}$$

“Don’t cares” allow for a wider range in defining the broadcast address, but in most cases, the broadcast address will be FFH.

On reset, SADDR and SADEN are “0”. This produces an given address of all “don’t cares” as well as a broadcast address of all “don’t cares.” This effectively disables Automatic Addressing mode and allows the microcontroller to function as a standard 8051, which does not make use of this feature.



## 7.0 WATCHDOG TIMER

The programmable Watchdog Timer (WDT) is for fail safe protection against software deadlock and for automatic recovery.

The Watchdog timer can be utilized as a watchdog or a timer. To use the Watchdog timer as a watchdog, WDRE (WDTC[3]) should be set to "1." To use the Watchdog timer as a timer only, WDRE should be set to "0" so that an interrupt will be generated upon timer overflow, and the EWD (IEA[6]) should be set to "1" in order to enable the interrupt.

### 7.1 Watchdog Timer Mode

To protect the system against software deadlock, WDT (WDTC[1]) should be refreshed within a user-defined time period. Without a periodic refresh, an internal hardware reset will be initiated when WDRE (WDTC[3]) = 1. The WDRE bit can only be cleared by a power-on reset.

Any Write to WDTC must be preceded by a correct feed sequence. If WDTON (WDTC[6])=0, SWDT (WDTC[0]) controls the start or stop of the watchdog. If WDTON = 1, the watchdog starts regardless of SWDT and cannot be stopped.

The upper 8 bits of the time base register (WDTD) is used as the reload register of the counter. When WDT (WDTC[1]) is set to "1," the content of WDTD is loaded into the watchdog counter and the prescaler is also cleared.

If a watchdog reset occurs, the internal reset is active for at least one watchdog clock cycle. The code execution will begin immediately after the reset cycle.

The WDTS flag bit is set by Watchdog timer overflow and can only be cleared by power-on reset. Users can also clear the WDTS bit by writing "1" to it following a correct feed sequence.

### 7.2 Pure Timer Mode

In Timer mode, the WDTC and WDTD can be written at any time without a feed sequence. Setting or clearing the SWDT bit will start or stop the counter. A timer overflow will set the WDTS bit. Writing "1" to this bit clears the bit. When an overflow occurs, the content of WDTD is reloaded into the counter and the Watchdog timer immediately begins to count again. If the interrupt is enabled, an interrupt will occur when the timer overflows. The vector address is 053H and it has a second level priority by default. A feed sequence is not required in this mode.

### 7.3 Clock Source

The WDT in the device uses the system clock (XTAL1) as its time base. So strictly speaking, it is a watchdog counter rather than a Watchdog timer. The WDT register will increment every 344,064 crystal clocks. The upper 8-bits of the time base register (WDTD) are used as the reload register of the WDT.

Figure 7-1 provides a block diagram of the WDT. Two SFRs (WDTC and WDTD) control Watchdog timer operation.

The time-out period of the WDT is calculated as follows:

$$\text{Period} = (255 - \text{WDTD}) * 344064 * 1/f_{\text{CLK}}(\text{XTAL1})$$

where WDTD is the value loaded into the WDTD register and  $f_{\text{osc}}$  is the oscillator frequency.

### 7.4 Feed Sequence

In Watchdog mode (WDRE=1), a feed sequence is needed to write into the WDTC register.

The correct feed sequence is:

1. write FDH to SFIS1,
2. write 2AH to SFIS0, then
3. write to the WDTC register

An incorrect feed sequence will cause an immediate reset in Watchdog mode.

In Timer mode, the WDTC and WDTD can be written at any time. A feed sequence is not required.

### 7.5 Power Saving Considerations for Using the Watchdog Timer

During Idle mode, the Watchdog timer will remain active. The device should be awakened and the Watchdog timer refreshed periodically before expiration. During Power-down mode, the Watchdog timer is stopped. When the Watchdog timer is used as a pure timer, users can turn off the clock to save power. See "Power Management Control Register (PMC)" on page 23.

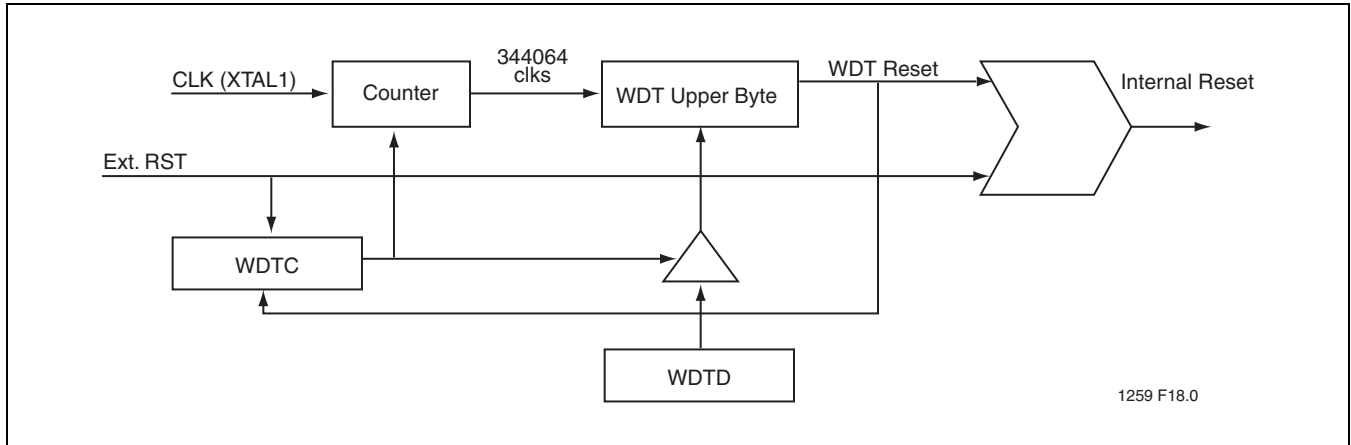


FIGURE 7-1: Block Diagram of Programmable Watchdog Timer



## 8.0 SECURITY LOCK

The security lock protects against software piracy and prevents the contents of the flash from being read by unauthorized parties. It also protects against code corruption resulting from accidental erasing and programming to the internal flash memory. There are two different types of security locks in the device security lock system: Chip-Level Security Lock and Page-Level Security Lock.

### 8.1 Chip-Level Security Lock

There are four types of chip-level security locks.

1. Disable External MOVC instruction
2. Disable External Host Mode (Except Read Chip ID and Chip-Erase commands)
3. Disable Boot from External Memory
4. Disable External IAP commands (Except Chip-Erase commands)

Users can turn on these security locks in any combination to achieve the security protection scheme. To unlock security locks, the Chip-Erase command must be used.

#### 8.1.1 Disable External MOVC instruction

When Disable-Extern-MOVC command is executed either by External Host Mode command or IAP Mode Command, MOVC instructions executed from external program memory are disabled from fetching code bytes from internal memory.

#### 8.1.2 Disable External Host Mode

When Disable-Extern-Host-Cmd command is executed either by External Host Mode Command or IAP Mode Command, all external host mode commands are disabled except Chip-Erase command and Read-ID command.

Upon activation of this option, the device can not be accessed through external host mode. User can not verify and copy the contents of the internal flash

#### 8.1.3 Disable Boot From External Memory

When Disable-Extern-Boot command is executed either by External Host Mode Command or IAP Mode Command, the EA pin value will be ignored during chip Reset and always boot from the internal memory.

#### 8.1.4 Disable External IAP Commands

When Disable-Extern-IAP command is executed either by External Host Mode Command or IAP Mode Command, all IAP commands executed from external memory are disabled except Chip-Erase command. All IAP commands executed from internal memory are allowed if the Page Lock is not set.

### 8.2 Page-Level Security Lock

When any of Secure-Page0, Secure-Page1, Secure-Page2, Secure-Page3, or Secure-Page4 command is executed, the individual page (Page0, Page1, Page2, Page3, or Page4) will enter secured mode. No part of the page can be verified by either External Host mode commands or IAP commands. MOVC instructions are also unable to read any data from the page.

To unlock the security locks on Page0-3 of the primary partition (Partition0), the Partition0-Erase command must be used. To unlock the security lock on Page4, the Chip-Erase command must be used.

### 8.3 Read Operation Under Lock Condition

The following three cases can be used to indicate the Read operation is targeting a locked, secured memory area:

1. External host mode: Read-back = 55H (locked)
2. IAP command: Read-back = previous SFDT data
3. MOVC: Read-back = 00H (blank)

## 9.0 RESET

A system reset initializes the MCU and begins program execution at program memory location 0000H or the boot vector address. The reset input for the device is the RST pin. In order to reset the device, a logic level high must be applied to the RST pin for at least two machine cycles (24 clocks), after the oscillator becomes stable. ALE and PSEN# are weakly pulled high during reset. During reset, ALE and PSEN# output a high level in order to perform a proper reset. This level must not be affected by external element. A system reset will not affect the 512 Bytes of on-chip RAM while the device is running, however, the contents of the on-chip RAM during power up are indeterminate. Following reset, all Special Function Registers (SFR) return to their reset values outlined in Tables 3-3 to 3-8.

### 9.1 Power-on Reset

At initial power up, the port pins will be in a random state until the oscillator has started and the internal reset algorithm has weakly pulled all pins high.

When power is applied to the device, the RST pin must be held high long enough for the oscillator to start up (usually several milliseconds for a low frequency crystal), in addition to two machine cycles for a valid power-on reset. An example of a method to extend the RST signal is to implement a RC circuit by connecting the RST pin to  $V_{DD}$  through a 10  $\mu\text{F}$  capacitor and to  $V_{SS}$  through an 8.2K $\Omega$  resistor as shown in Figure 9-1. Note that if an RC circuit is being used, provisions should be made to ensure the  $V_{DD}$  rise time does not exceed 1 millisecond and the oscillator start-up time does not exceed 10 milliseconds.

For a low frequency oscillator with slow start-up time the reset signal must be extended in order to account for the slow start-up time. This method maintains the necessary relationship between  $V_{DD}$  and RST to avoid programming at an indeterminate location. The POF flag in the PCON register is set to indicate an initial power up condition. The POF flag will remain active until cleared by software. Please refer to Section 3.5, PCON register definition, for detailed information.

For more information on system level design techniques, please review the *Design Considerations for the SST FlashFlex Family Microcontroller* application note.

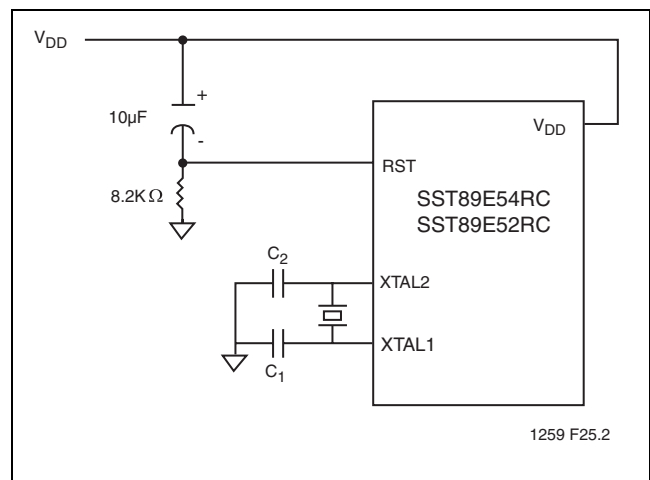


FIGURE 9-1: Power-on Reset Circuit



Data Sheet

9.2 Boot Sequence

After Power On Reset, the device can boot from one of three locations: zero, default boot vector (see Table 4-2), or a user-defined boot vector. The checking sequence follows the flowchart in Figure 9-2. If the device uses external code memory (EA#=0), the boot-start address is always zero. The next sequence is to detect any external hardware pin setup.

The device should check P1[0] and P1[1] at the falling edge of reset. (See Figure 9-3 for the timing diagram.) If both pins are low, the device is forced to boot from either the default boot vector or the user-defined boot vector depending on the setting of Boot\_From\_User\_Vector\_i. The Boot\_Status\_Flag bit (HWIAP) in the SFCF register indi-

cates whether or not the system booted with P1[0] and P1[1] set to low during reset. (See Section 3.5, "Special Function Registers" on page 11 for details.)

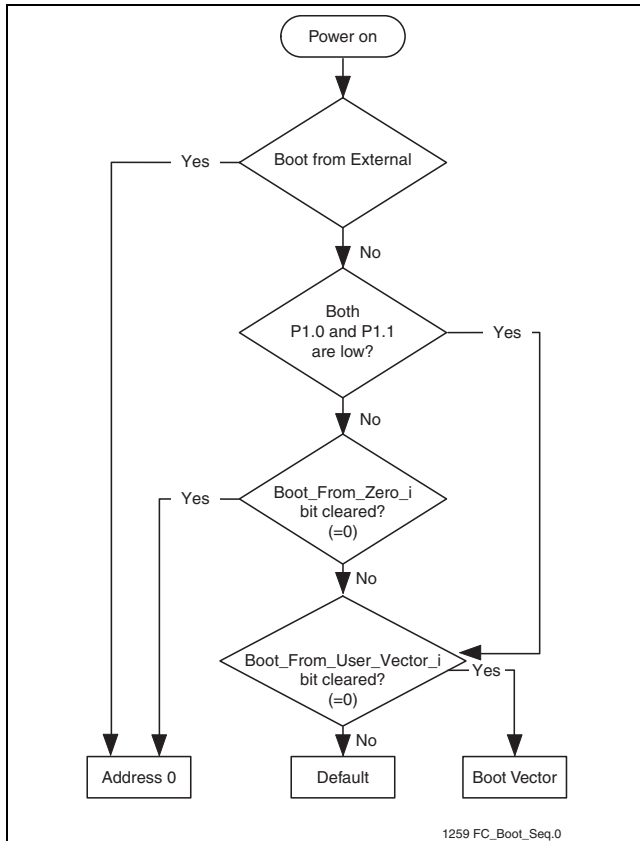
Programming the control bits (Boot\_From\_User\_Vector\_i and Boot\_From\_Zero\_i) can be done through IAP mode commands or External Host Mode commands. The factory default setting for these two bits is "1" and will lead the system to boot from the default boot vector per Table 4-2.

When the device is configured to boot from a user-defined vector, users should use the Set\_User\_Boot\_Vector command to program the Boot\_Vector[7:0]. The final boot vector address is calculated in Table 9-1.

TABLE 9-1: Boot Vector Address

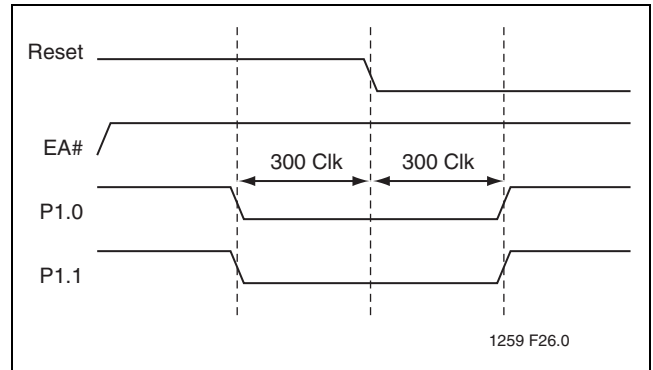
| Device     | Bit Number |    |                  |                  |    |    |   |   |   |   |   |   |   |   |   |   |   |   |   |
|------------|------------|----|------------------|------------------|----|----|---|---|---|---|---|---|---|---|---|---|---|---|---|
|            | 15         | 14 | 13               | 12               | 11 | 10 | 9 | 8 | 7 | 6 | 5 | 4 | 3 | 2 | 1 | 0 |   |   |   |
| SST89E54RC | 0          | 0  | Boot_Vector[7:0] |                  |    |    |   |   |   |   |   | 0 | 0 | 0 | 0 | 0 | 0 | 0 |   |
| SST89E52RC | 0          | 0  | 0                | Boot_Vector[7:0] |    |    |   |   |   |   |   |   | 0 | 0 | 0 | 0 | 0 | 0 | 0 |

T9-1.1 1259



1259 FC\_Boot\_Seq.0

FIGURE 9-2: Boot Sequence Flowchart



1259 F26.0

FIGURE 9-3: Hardware Pin Setup

9.3 Interrupt Priority and Polling Sequence

The device supports seven interrupt sources under a four level priority scheme. Table 9-2 and Figure 9-4 summarize the polling sequence of the supported interrupts.



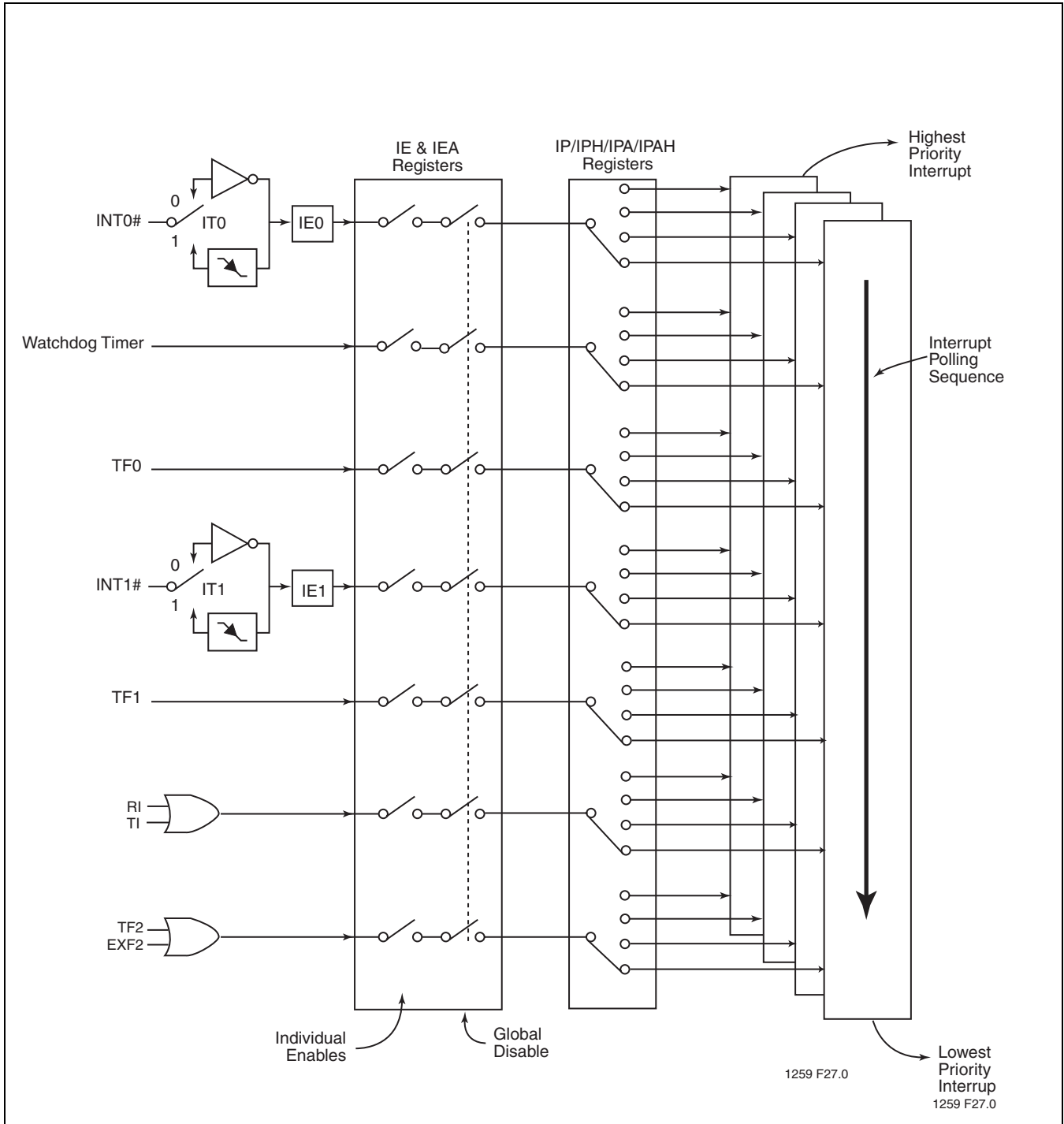


FIGURE 9-4: Interrupt Sequence



Data Sheet

**TABLE 9-2: Interrupt Polling Sequence**

| Description | Interrupt Flag | Vector Address | Interrupt Enable | Interrupt Priority | Service Priority | Wake-Up Power-down |
|-------------|----------------|----------------|------------------|--------------------|------------------|--------------------|
| Ext. Int0   | IE0            | 0003H          | EX0              | PX0/H              | 1 (highest)      | yes                |
| Watchdog    | -              | 0053H          | EWD              | PWD/H              | 2                | no                 |
| T0          | TF0            | 000BH          | ET0              | PT0/H              | 3                | no                 |
| Ext. Int1   | IE1            | 0013H          | EX1              | PX1/H              | 4                | yes                |
| T1          | TF1            | 001BH          | ET1              | PT1/H              | 5                | no                 |
| UART        | TI/RI          | 0023H          | ES               | PS/H               | 6                | no                 |
| T2          | TF2, EXF2      | 002BH          | ET2              | PT2/H              | 7                | no                 |

T9-2.0 1259



## 10.0 POWER-SAVING MODES

The device provides two power saving modes of operation for applications where power consumption is critical. The two modes are idle and power-down, see Table 10-1.

In addition to these two power saving modes, users can choose to set the device to run at one of four slower clock rates to reduce power consumption. See Section 11.3, "Clock Divider Option".

Another option is to turn off the clocks by individual functional blocks, please refer to Section 3.5, the PMC register definition, for detailed information.

### 10.1 Idle Mode

Idle mode is entered setting the IDL bit in the PCON register. In idle mode, the program counter (PC) is stopped. The system clock continues to run and all interrupts and peripherals remain active. The on-chip RAM and the special function registers hold their data during this mode.

The device exits idle mode through either a system interrupt or a hardware reset. Exiting idle mode via system interrupt, the start of the interrupt clears the IDL bit and exits idle mode. After exit the Interrupt Service Routine, the interrupted program resumes execution beginning at the instruction immediately following the instruction which invoked the idle mode. A hardware reset starts the device similar to a power-on reset.

### 10.2 Power-down Mode

The power-down mode is entered by setting the PD bit in the PCON register. In the power-down mode, the clock is stopped and external interrupts are active for level sensitive interrupts only. SRAM contents are retained during power-down, the minimum  $V_{DD}$  level is 2.0V.

The device exits power-down mode through either an enabled external level sensitive interrupt or a hardware reset. The start of the interrupt clears the PD bit and exits power-down. Holding the external interrupt pin low restarts the oscillator, the signal must hold low at least 1024 clock cycles before bringing back high to complete the exit. Upon interrupt signal restored to logic  $V_{IH}$ , the interrupt service routine program execution resumes beginning at the instruction immediately following the instruction which invoked power-down mode. A hardware reset starts the device similar to power-on reset.

To exit properly out of power-down, the reset or external interrupt should not be executed before the  $V_{DD}$  line is restored to its normal operating voltage. Be sure to hold  $V_{DD}$  voltage long enough at its normal operating level for the oscillator to restart and stabilize (normally less than 10 ms).

**TABLE 10-1: Power Saving Modes**

| Mode       | Initiated by   | State of MCU   | Exited by   |
|------------|--|--|---|
| Idle       | Software<br>(Set IDL bit in PCON)<br>MOV PCON, #01H; | <ul style="list-style-type: none"> <li>• CLK is running.</li> <li>• Interrupts, serial port and timers/counters are active.</li> <li>• Program Counter is stopped.</li> <li>• ALE and PSEN# signals at a HIGH level during Idle.</li> <li>• All registers remain unchanged.</li> </ul> | Enabled interrupt or hardware reset. Start of interrupt clears IDL bit and exits idle mode, after the ISR RETI instruction, program resumes execution beginning at the instruction following the one that invoked idle mode. A user could consider placing two or three NOP instructions after the instruction that invokes idle mode to eliminate any problems. A hardware reset restarts the device similar to a power-on reset.  |
| Power-down | Software<br>(Set PD bit in PCON)<br>MOV PCON, #02H;  | <ul style="list-style-type: none"> <li>• CLK is stopped.</li> <li>• On-chip SRAM and SFR data is maintained.</li> <li>• ALE and PSEN# signals at a LOW level during power -down.</li> <li>• External Interrupts are only active for level sensitive interrupts, if enabled.</li> </ul> | Enabled external level sensitive interrupt or hardware reset. Start of interrupt clears PD bit and exits power-down mode, after the ISR RETI instruction program resumes execution beginning at the instruction following the one that invoked power-down mode. A user could consider placing two or three NOP instructions after the instruction that invokes power-down mode to eliminate any problems. A hardware reset restarts the device similar to a power-on reset. |

T10-1.0 1259



## 11.0 SYSTEM CLOCK AND CLOCK OPTIONS

### 11.1 Clock Input Options and Recommended Capacitor Values for Oscillator

Shown in Figure 11-1 are the input and output of an internal inverting amplifier (XTAL1, XTAL2), which can be configured for use as an on-chip oscillator.

When driving the device from an external clock source, XTAL2 should be left disconnected and XTAL1 should be driven.

At start-up, the external oscillator may encounter a higher capacitive load at XTAL1 due to interaction between the amplifier and its feedback capacitance. However, the capacitance will not exceed 15 pF once the external signal meets the  $V_{IL}$  and  $V_{IH}$  specifications.

Crystal manufacturer, supply voltage, and other factors may cause circuit performance to differ from one application to another. C1 and C2 should be adjusted appropriately for each design. Table 11-1, shows the typical values for C1 and C2 vs. crystal type for various frequencies

**TABLE 11-1: Recommended Values for C1 and C2 by Crystal Type**

| Crystal | C1 = C2 |
|---------|---------|
| Quartz  | 20-30pF |
| Ceramic | 40-50pF |

T11-1.1 1259

More specific information about on-chip oscillator design can be found in the *FlashFlex Oscillator Circuit Design Considerations* application note.

### 11.2 Clock Doubling Option

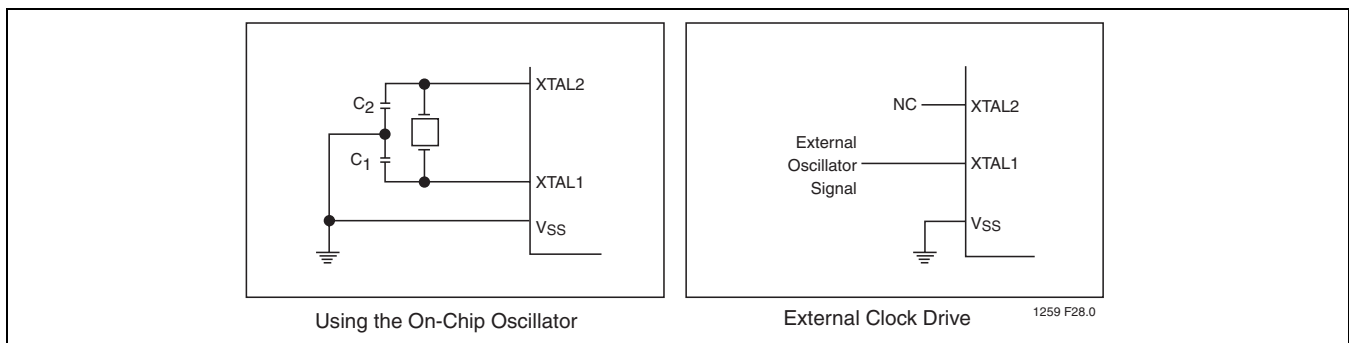
By default, the device runs at 12 clocks per machine cycle (x1 mode). The device has a clock doubling option to speed up to 6 clocks per machine cycle. Please refer to Table 11-2 for detail.

Clock double mode can be enabled either via the external host mode or the IAP mode. Please refer to Table 4-3 for the IAP mode enabling command (When set, the Enable-Clock-Double\_i bit in the SFST register will indicate 6-clock mode.).

**The clock double mode is only for doubling the internal system clock and the internal flash memory, i.e. EA#=1.** To access the external memory and the peripheral devices, careful consideration must be taken. Also note that the crystal output (XTAL2) will not be doubled.

### 11.3 Clock Divider Option

The device has an option to run at scaled-down clock rates of 1/4, 1/16, 1/256, and 1/1024. The COEN bit in the COSR register must be set to enable this option. The CO\_SEL bits are set to select the clock rate. See the COSR register for more information.



**FIGURE 11-1: Oscillator Characteristics**

**TABLE 11-2: Clock Doubling Features**

| Device     | Standard Mode (x1)       |                                     | Clock Double Mode (x2)   |                                     |
|------------|--------------------------|-------------------------------------|--------------------------|-------------------------------------|
|            | Clocks per Machine Cycle | Max. External Clock Frequency (MHz) | Clocks per Machine Cycle | Max. External Clock Frequency (MHz) |
| SST89E5xRC | 12                       | 33                                  | 6                        | 16                                  |

T11-2.0 1259



## 12.0 ELECTRICAL SPECIFICATION

**Absolute Maximum Stress Ratings** (Applied conditions greater than those listed under “Absolute Maximum Stress Ratings” may cause permanent damage to the device. This is a stress rating only and functional operation of the device at these conditions or conditions greater than those defined in the operational sections of this data sheet is not implied. Exposure to absolute maximum stress rating conditions may affect device reliability.)

|   |                        |
|---|------------------------|
| Ambient Temperature Under Bias                                    | -55°C to +125°C        |
| Storage Temperature   | -65°C to +150°C        |
| Voltage on EA# Pin to $V_{SS}$                                    | -0.5V to +14.0V        |
| D.C. Voltage on Any Pin to Ground Potential                       | -0.5V to $V_{DD}+0.5V$ |
| Transient Voltage (<20ns) on Any Other Pin to $V_{SS}$            | -1.0V to $V_{DD}+1.0V$ |
| Maximum $I_{OL}$ per I/O Pins P1.5, P1.6, P1.7                    | 20mA                   |
| Maximum $I_{OL}$ per I/O for All Other Pins                       | 15mA                   |
| Package Power Dissipation Capability ( $T_A = 25^\circ\text{C}$ ) | 1.5W                   |
| Through Hole Lead Soldering Temperature (10 Seconds)              | 300°C                  |
| Surface Mount Solder Reflow Temperature <sup>1</sup>              | 260°C for 10 seconds   |
| Output Short Circuit Current <sup>2</sup>                         | 50 mA                  |

1. Excluding certain with-Pb 32-PLCC units, all packages are 260°C capable in both non-Pb and with-Pb solder versions. Certain with-Pb 32-PLCC package types are capable of 240°C for 10 seconds; please consult the factory for the latest information.
2. Outputs shorted for no more than one second. No more than one output shorted at a time. (Based on package heat transfer limitations, not device power consumption.)

**Note:** This specification contains preliminary information on new products in production. The specifications are subject to change without notice.

**TABLE 12-1: Operating Range**

| Symbol    | Description   | Min. | Max | Unit |
|-----------|---|------|-----|------|
| $T_A$     | Ambient Temperature Under Bias<br>Standard                        | 0    | +70 | °C   |
| $V_{DD}$  | Supply Voltage<br>SST89E5xRC                                      | 4.5  | 5.5 | V    |
| $f_{OSC}$ | Oscillator Frequency<br>SST89E5xRC                                | 0    | 33  | MHz  |
|           | Oscillator Frequency for In-Application programming<br>SST89E5xRC | .25  | 33  | MHz  |

T12-1.1 1259

**TABLE 12-2: Reliability Characteristics**

| Symbol      | Parameter      | Minimum Specification | Units  | Test Method         |
|-------------|----------------|-----------------------|--------|---------------------|
| $N_{END}^1$ | Endurance      | 10,000                | Cycles | JEDEC Standard A117 |
| $T_{DR}^1$  | Data Retention | 100                   | Years  | JEDEC Standard A103 |
| $I_{LTH}^1$ | Latch Up       | 100 + $I_{DD}$        | mA     | JEDEC Standard 78   |

T12-2.0 1259

1. This parameter is measured only for initial qualification and after a design or process change that could affect this parameter.



Data Sheet

**TABLE 12-3: AC Conditions of Test**

|                                      |
|--------------------------------------|
| Input Rise/Fall Time . . . . . 10 ns |
| Output Load . . . . . $C_L = 100$ pF |
| See Figures 12-6 and 12-8            |

T12-3.0 1259

**TABLE 12-4: Recommended System Power-up Timings**

| Symbol           | Parameter                   | Minimum | Units   |
|------------------|-----------------------------|---------|---------|
| $T_{PU-READ}^1$  | Power-up to Read Operation  | 100     | $\mu$ s |
| $T_{PU-WRITE}^1$ | Power-up to Write Operation | 100     | $\mu$ s |

T12-4.2 1259

1. This parameter is measured only for initial qualification and after a design or process change that could affect this parameter

**TABLE 12-5: Pin Impedance (TA=25 °C, f=1 Mhz, other pins open)**

| Parameter   | Description         | Test Condition | Maximum |
|-------------|---------------------|----------------|---------|
| $C_{I/O}^1$ | I/O Pin Capacitance | $V_{I/O} = 0V$ | 15 pF   |
| $C_{IN}^1$  | Input Capacitance   | $V_{IN} = 0V$  | 12 pF   |
| $L_{PIN}^2$ | Pin Inductance      |                | 20 nH   |

T12-5.4 1259

1. This parameter is measured only for initial qualification and after a design or process change that could affect this parameter.
2. Refer to PCI spec.

## 12.1 DC Electrical Characteristics

**TABLE 12-6: DC Characteristics for SST89E5xRC:  $T_A = -0^{\circ}\text{C}$  to  $+70^{\circ}\text{C}$ ;  $V_{DD} = 4.5\text{-}5.5\text{V}$ ;  $V_{SS} = 0\text{V}$**

| Symbol    | Parameter  | Test Conditions   | Min  | Max                | Units            |
|-----------|--|---|--|--------------------|------------------|
| $V_{IL}$  | Input Low Voltage  | $4.5 < V_{DD} < 5.5$  | -0.5   | $0.2V_{DD} - 0.1$  | V                |
| $V_{IH}$  | Input High Voltage   | $4.5 < V_{DD} < 5.5$  | $0.2V_{DD} + 0.9$                                  | $V_{DD} + 0.5$     | V                |
| $V_{IH1}$ | Input High Voltage (XTAL1, RST)                                | $4.5 < V_{DD} < 5.5$  | $0.7V_{DD}$  | $V_{DD} + 0.5$     | V                |
| $V_{OL}$  | Output Low Voltage (Ports 1.5, 1.6, 1.7)                       | $V_{DD} = 4.5\text{V}$<br>$I_{OL} = 16\text{mA}$  |  | 1.0                | V                |
| $V_{OL}$  | Output Low Voltage (Ports 1, 2, 3) <sup>1</sup>                | $V_{DD} = 4.5\text{V}$<br>$I_{OL} = 100\mu\text{A}^2$<br>$I_{OL} = 1.6\text{mA}^2$<br>$I_{OL} = 3.5\text{mA}^2$ |  | 0.3<br>0.45<br>1.0 | V<br>V<br>V      |
| $V_{OL1}$ | Output Low Voltage (Port 0, ALE, PSEN#) <sup>1,3</sup>         | $V_{DD} = 4.5\text{V}$<br>$I_{OL} = 200\mu\text{A}^2$<br>$I_{OL} = 3.2\text{mA}^2$                              |  | 0.3<br>0.45        | V<br>V           |
| $V_{OH}$  | Output High Voltage (Ports 1, 2, 3, ALE, PSEN#) <sup>4</sup>   | $V_{DD} = 4.5\text{V}$<br>$I_{OH} = -10\mu\text{A}$<br>$I_{OH} = -30\mu\text{A}$<br>$I_{OH} = -60\mu\text{A}$   | $V_{DD} - 0.3$<br>$V_{DD} - 0.7$<br>$V_{DD} - 1.5$ |                    | V<br>V<br>V      |
| $V_{OH1}$ | Output High Voltage (Port 0 in External Bus Mode) <sup>4</sup> | $V_{DD} = 4.5\text{V}$<br>$I_{OH} = -200\mu\text{A}$<br>$I_{OH} = -3.2\text{mA}$                                | $V_{DD} - 0.3$<br>$V_{DD} - 0.7$                   |                    | V<br>V           |
| $I_{IL}$  | Logical 0 Input Current (Ports 1, 2, 3)                        | $V_{IN} = 0.4\text{V}$  |  | -75                | $\mu\text{A}$    |
| $I_{TL}$  | Logical 1-to-0 Transition Current (Ports 1, 2, 3) <sup>5</sup> | $V_{IN} = 2\text{V}$  |  | -650               | $\mu\text{A}$    |
| $I_{LI}$  | Input Leakage Current (Port 0)                                 | $0.45 < V_{IN} < V_{DD} - 0.3$  |  | $\pm 10$           | $\mu\text{A}$    |
| $R_{RST}$ | RST Pull-down Resistor   |   | 40   | 225                | $\text{K}\Omega$ |
| $C_{IO}$  | Pin Capacitance <sup>6</sup>                                   | @ 1 MHz, 25°C   |  | 15                 | pF               |
| $I_{DD}$  | Power Supply Current   |   |  |                    |                  |
|           | Active Mode @ 33 MHz   |   |  | 32                 | mA               |
|           | Idle Mode @ 33 MHz   |   |  | 26                 | mA               |
|           | Power-down Mode (min $V_{DD} = 2\text{V}$ )                    | $T_A = 0^{\circ}\text{C}$ to $70^{\circ}\text{C}$   |  | 50                 | $\mu\text{A}$    |

T12-6.1 1259

- Under steady state (non-transient) conditions,  $I_{OL}$  must be externally limited as follows:  
 Maximum  $I_{OL}$  per port pin: 15mA  
 Maximum  $I_{OL}$  per 8-bit port: 26mA  
 Maximum  $I_{OL}$  total for all outputs: 71mA  
 If  $I_{OL}$  exceeds the test condition,  $V_{OL}$  may exceed the related specification.  
 Pins are not guaranteed to sink current greater than the listed test conditions.
- Capacitive loading on Ports 0 and 2 may cause spurious noise to be superimposed on the  $V_{OL}$ s of ALE and Ports 1 and 3. The noise due to external bus capacitance discharging into the Port 0 and 2 pins when the pins make 1-to-0 transitions during bus operations. In the worst cases (capacitive loading > 100pF), the noise pulse on the ALE pin may exceed 0.8V. In such cases, it may be desirable to qualify ALE with a Schmitt Trigger, or use an address latch with a Schmitt Trigger STROBE input.
- Load capacitance for Port 0, ALE and PSEN# = 100pF, load capacitance for all other outputs = 80 pF.
- Capacitive loading on Ports 0 and 2 may cause the  $V_{OH}$  on ALE and PSEN# to momentarily fall below the  $V_{DD} - 0.7$  specification when the address bits are stabilizing.
- Pins of Ports 1, 2, and 3 source a transition current when they are being externally driven from 1 to 0. The transition current reaches its maximum value when  $V_{IN}$  is approximately 2V.
- Pin capacitance is characterized but not tested. EA# is 25pF (max).



Data Sheet

12.2 AC Electrical Characteristics

**AC Characteristics:** (Over Operating Conditions: Load Capacitance for Port 0, ALE#, and PSEN# = 100pF; Load Capacitance for All Other Outputs = 80pF)

**TABLE 12-7: AC Electrical Characteristics**  $T_A = -0^{\circ}\text{C}$  to  $+70^{\circ}\text{C}$ ,  $V_{DD} = 4.5\text{-}5.5\text{V}@33\text{MHz}$ ,  $V_{SS} = 0\text{V}$

| Symbol        | Parameter                                | Oscillator  |     |   |     |                       |                       | Units |
|---------------|--|---|-----|---|-----|-----------------------|-----------------------|-------|
|               |  | 25 MHz (x1 Mode)<br>12 MHz (x2 Mode) <sup>1</sup> |     | 33 MHz (x1 Mode)<br>16 MHz (x2 Mode) <sup>1</sup> |     | Variable              |                       |       |
|               |  | Min   | Max | Min   | Max | Min                   | Max                   |       |
| $1/T_{CLCL}$  | x1 Mode Oscillator Frequency             | 0   | 25  | 0   | 33  | 0                     |                       | MHz   |
| $1/2T_{CLCL}$ | x2 Mode Oscillator Frequency             | 0   | 12  | 0   | 16  | 0                     |                       | MHz   |
| $T_{LHLL}$    | ALE Pulse Width                          | 65  |     | 46  |     | $2T_{CLCL} - 15$      |                       | ns    |
| $T_{AVLL}$    | Address Valid to ALE Low                 |   |     | 15  |     | $T_{CLCL} - 15$ (5V)  |                       | ns    |
| $T_{LLAX}$    | Address Hold After ALE Low               |   |     | 15  |     | $T_{CLCL} - 15$ (5V)  |                       | ns    |
| $T_{LLIV}$    | ALE Low to Valid Instr In                |   |     |   | 66  |                       | $4T_{CLCL} - 45$ (5V) | ns    |
| $T_{LLPL}$    | ALE Low to PSEN# Low                     |   |     | 15  |     | $T_{CLCL} - 15$ (5V)  |                       | ns    |
| $T_{PLPH}$    | PSEN# Pulse Width                        |   |     | 76  |     | $3T_{CLCL} - 15$ (5V) |                       | ns    |
| $T_{PLIV}$    | PSEN# Low to Valid Instr In              |   |     |   | 41  |                       | $3T_{CLCL} - 50$ (5V) | ns    |
| $T_{PXIX}$    | Input Instr Hold After PSEN#             |   |     |   |     | 0                     |                       | ns    |
| $T_{PXIZ}$    | Input Instr Float After PSEN#            |   |     |   | 15  |                       | $T_{CLCL} - 15$ (5V)  | ns    |
| $T_{PXAV}$    | PSEN# to Address valid                   | 32  |     | 22  |     | $T_{CLCL} - 8$        |                       | ns    |
| $T_{AVIV}$    | Address to Valid Instr In                |   |     |   | 92  |                       | $5T_{CLCL} - 60$ (5V) | ns    |
| $T_{PLAZ}$    | PSEN# Low to Address Float               |   | 10  |   | 10  |                       | 10                    | ns    |
| $T_{RLRH}$    | RD# Pulse Width                          |   |     | 152   |     | $6T_{CLCL} - 30$ (5V) |                       | ns    |
| $T_{WLWH}$    | Write Pulse Width (WE#)                  |   |     | 152   |     | $6T_{CLCL} - 30$ (5V) |                       | ns    |
| $T_{RLDV}$    | RD# Low to Valid Data In                 |   |     |   | 102 |                       | $5T_{CLCL} - 50$ (5V) | ns    |
| $T_{RHDX}$    | Data Hold After RD#                      | 0   |     | 0   |     | 0                     |                       | ns    |
| $T_{RHDZ}$    | Data Float After RD#                     |   |     |   | 49  |                       | $2T_{CLCL} - 12$ (5V) | ns    |
| $T_{LLDV}$    | ALE Low to Valid Data In                 |   |     |   | 192 |                       | $8T_{CLCL} - 50$ (5V) | ns    |
| $T_{AVDV}$    | Address to Valid Data In                 |   |     |   | 198 |                       | $9T_{CLCL} - 75$ (5V) | ns    |
| $T_{LLWL}$    | ALE Low to RD# or WR# Low                |   |     | 76  | 106 | $3T_{CLCL} - 15$ (5V) | $3T_{CLCL} + 15$ (5V) | ns    |
| $T_{AVWL}$    | Address to RD# or WR# Low                |   |     | 91  |     | $4T_{CLCL} - 30$ (5V) |                       | ns    |
| $T_{QVWX}$    | Data Valid to WR# High to Low Transition |   | 20  |   | 10  | $T_{CLCL} - 20$       |                       | ns    |
| $T_{WHQX}$    | Data Hold After WR#                      |   |     | 10  |     | $T_{CLCL} - 20$ (5V)  |                       | ns    |
| $T_{QVWH}$    | Data Valid to WR# High                   |   |     | 162   |     | $7T_{CLCL} - 50$ (5V) |                       | ns    |
| $T_{RLAZ}$    | RD# Low to Address Float                 |   | 0   |   | 0   |                       | 0                     | ns    |
| $T_{WHLH}$    | RD# to WR# High to ALE High              |   |     | 15  | 45  | $T_{CLCL} - 15$ (5V)  | $T_{CLCL} + 15$ (5V)  | ns    |

T12-7.0 1259

1. Calculated values are for x1 Mode only





**Explanation of Symbols** Each timing symbol has 5 characters. The first character is always a 'T' (stands for time). The other characters, depending on their positions, stand for the name of a signal or the logical status of that signal. The following is a list of all the characters and what they stand for.

|  |                                  |
|--|----------------------------------|
| A: Address                               | Q: Output data                   |
| C: Clock                                 | R: RD# signal                    |
| D: Input data                            | T: Time                          |
| H: Logic level HIGH                      | V: Valid                         |
| I: Instruction (program memory contents) | W: WR# signal                    |
| L: Logic level LOW or ALE                | X: No longer a valid logic level |
| P: PSEN#                                 | Z: High Impedance (Float)        |

For example:

$T_{AVLL}$  = Time from Address Valid to ALE Low

$T_{LLPL}$  = Time from ALE Low to PSEN# Low

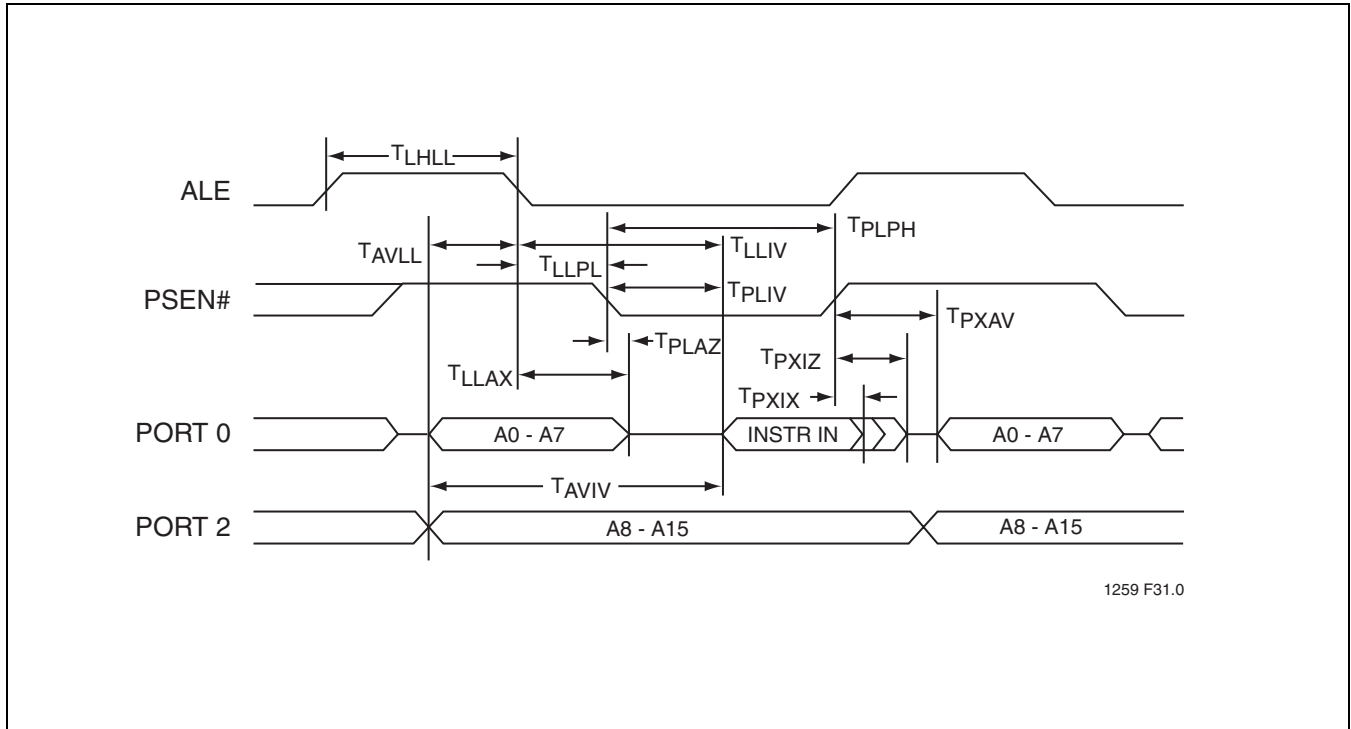


FIGURE 12-1: External Program Memory Read Cycle

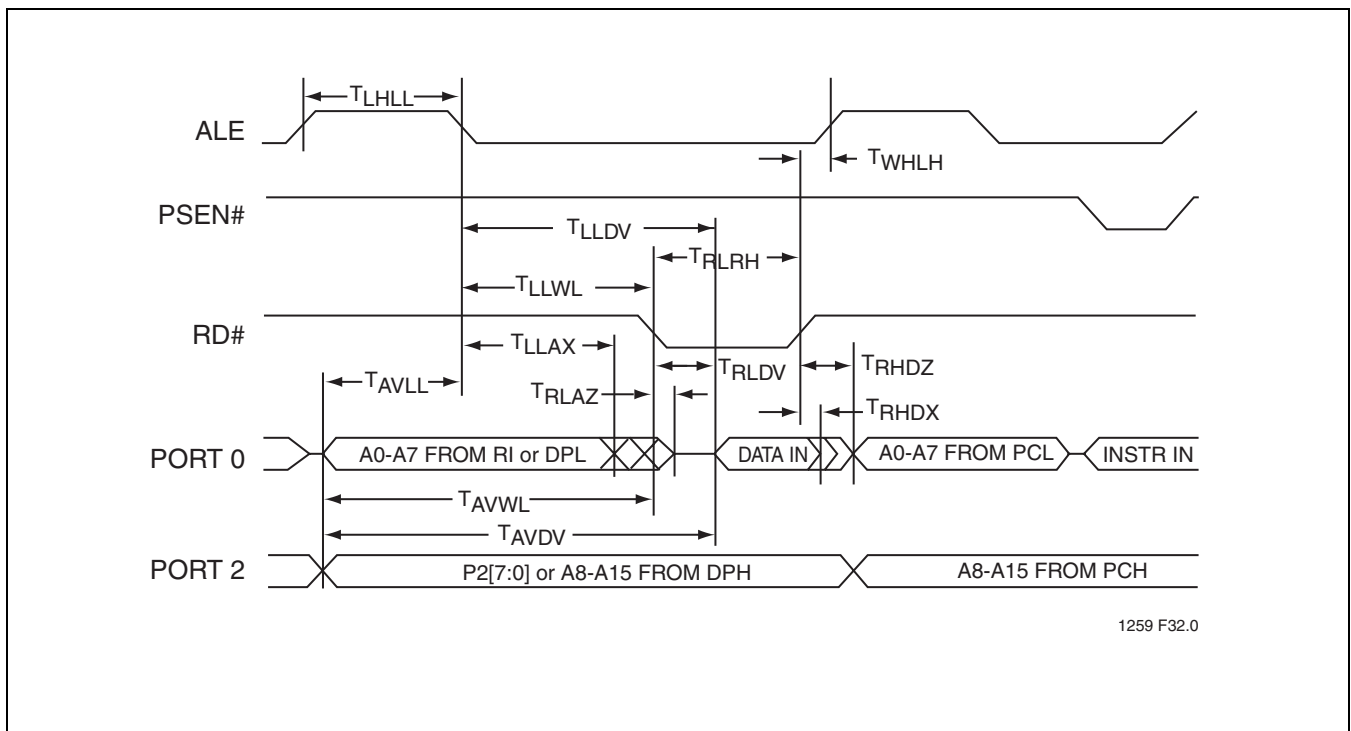


FIGURE 12-2: External Data Memory Read Cycle

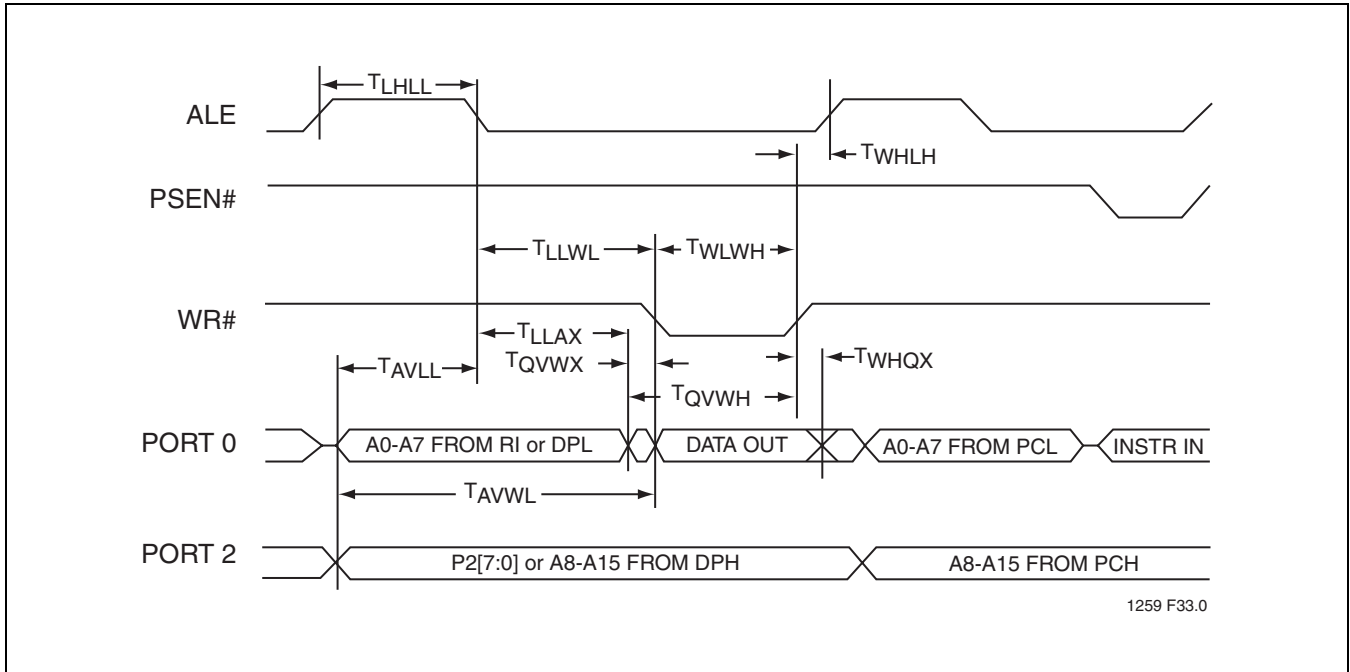


FIGURE 12-3: External Data Memory Write Cycle

TABLE 12-8: External Clock Drive

| Symbol       | Parameter            | Oscillator |     |       |     |                |                | Units |
|--------------|----------------------|------------|-----|-------|-----|----------------|----------------|-------|
|              |                      | 12MHz      |     | 33MHz |     | Variable       |                |       |
|              |                      | Min        | Max | Min   | Max | Min            | Max            |       |
| $1/T_{CLCL}$ | Oscillator Frequency |            |     |       |     | 0              | 40             | MHz   |
| $T_{CLCL}$   |                      | 83         |     | 30.3  |     |                |                | ns    |
| $T_{CHCX}$   | High Time            |            |     | 10.6  |     | $0.35T_{CLCL}$ | $0.65T_{CLCL}$ | ns    |
| $T_{CLCX}$   | Low Time             |            |     | 10.6  |     | $0.35T_{CLCL}$ | $0.65T_{CLCL}$ | ns    |
| $T_{CLCH}$   | Rise Time            |            | 20  |       | 10  |                |                | ns    |
| $T_{CHCL}$   | Fall Time            |            | 20  |       | 10  |                |                | ns    |

T12-8.2 1259

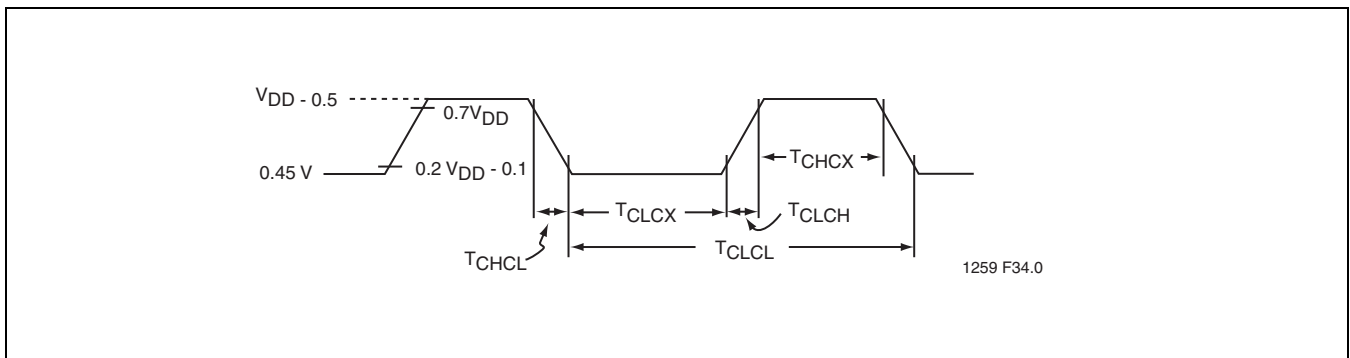


FIGURE 12-4: External Clock Drive Waveform



Data Sheet

TABLE 12-9: Serial Port Timing

| Symbol            | Parameter                                | Oscillator |     |       |     |   |                           | Units    |
|-------------------|--|------------|-----|-------|-----|---|---------------------------|----------|
|                   |  | 12MHz      |     | 33MHz |     | Variable  |                           |          |
|                   |  | Min        | Max | Min   | Max | Min   | Max                       |          |
| T <sub>XLXL</sub> | Serial Port Clock Cycle Time             | 1.0        |     | 0.364 |     | 12T <sub>CLCL</sub>                                 |                           | μs       |
| T <sub>QVXH</sub> | Output Data Setup to Clock Rising Edge   | 700        |     | 170   |     | 10T <sub>CLCL</sub> - 133                           |                           | ns       |
| T <sub>XHQX</sub> | Output Data Hold After Clock Rising Edge | 50         |     | 11    |     | 2T <sub>CLCL</sub> - 117<br>2T <sub>CLCL</sub> - 50 |                           | ns<br>ns |
| T <sub>XHDX</sub> | Input Data Hold After Clock Rising Edge  | 0          |     | 0     |     | 0   |                           | ns       |
| T <sub>XHDV</sub> | Clock Rising Edge to Input Data Valid    |            | 700 |       | 170 |   | 10T <sub>CLCL</sub> - 133 | ns       |

T12-9.2 1259

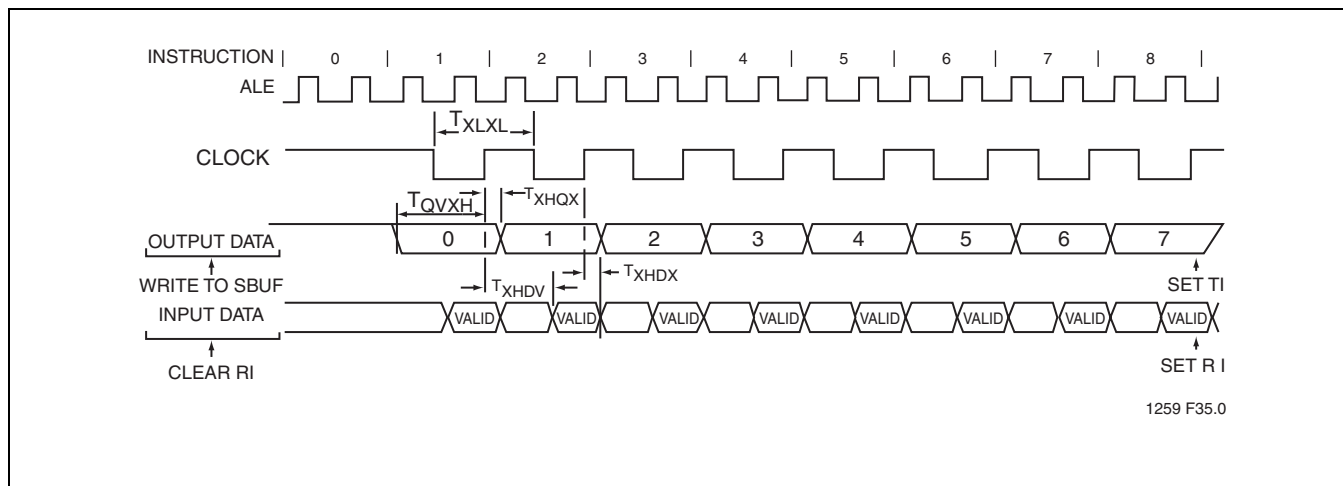


FIGURE 12-5: Shift Register Mode Timing Waveforms

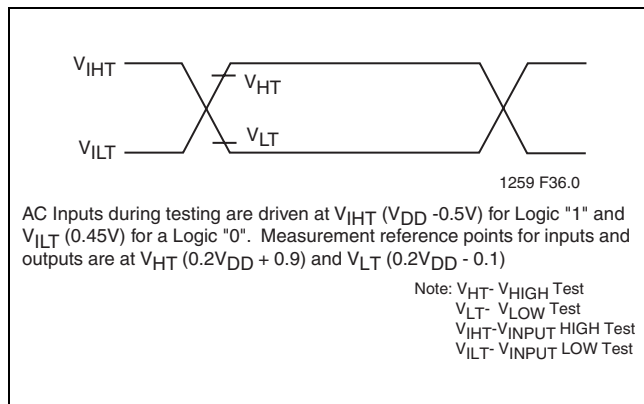


FIGURE 12-6: AC Testing Input/Output Test Waveform

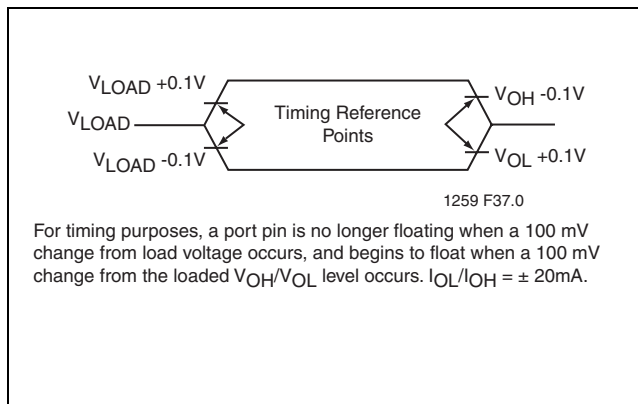


FIGURE 12-7: Float Waveform

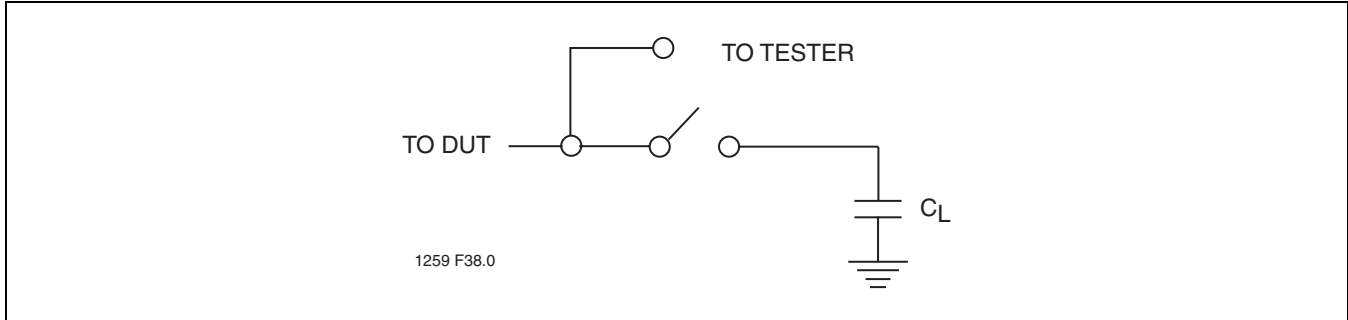


FIGURE 12-8: A Test Load Example

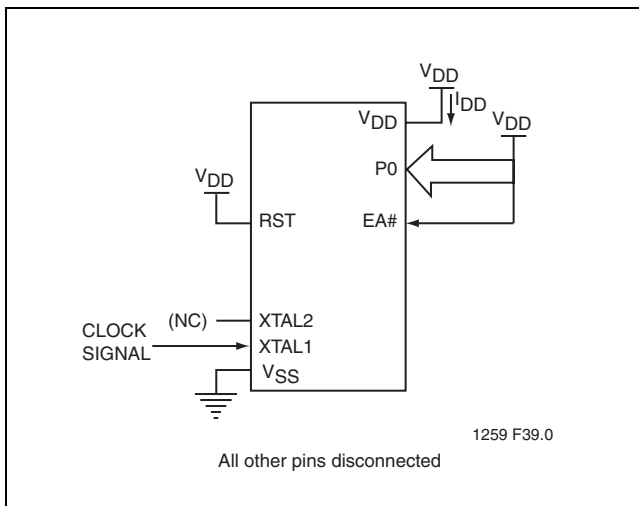


FIGURE 12-9:  $I_{DD}$  Test Condition, Active Mode

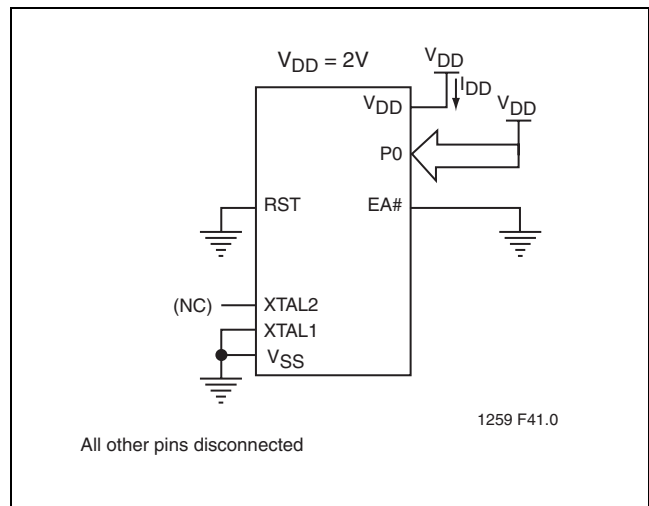


FIGURE 12-11:  $I_{DD}$  Test Condition, Power-down Mode

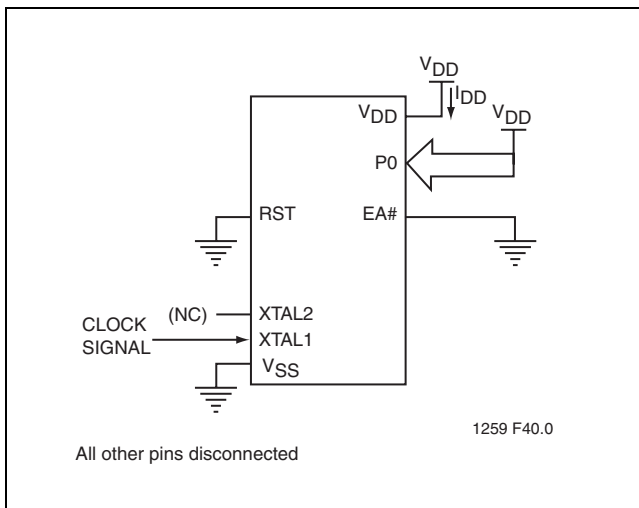


FIGURE 12-10:  $I_{DD}$  Test Condition, Idle Mode

TABLE 12-10: Flash Memory Programming/ Verification Parameters<sup>1</sup>

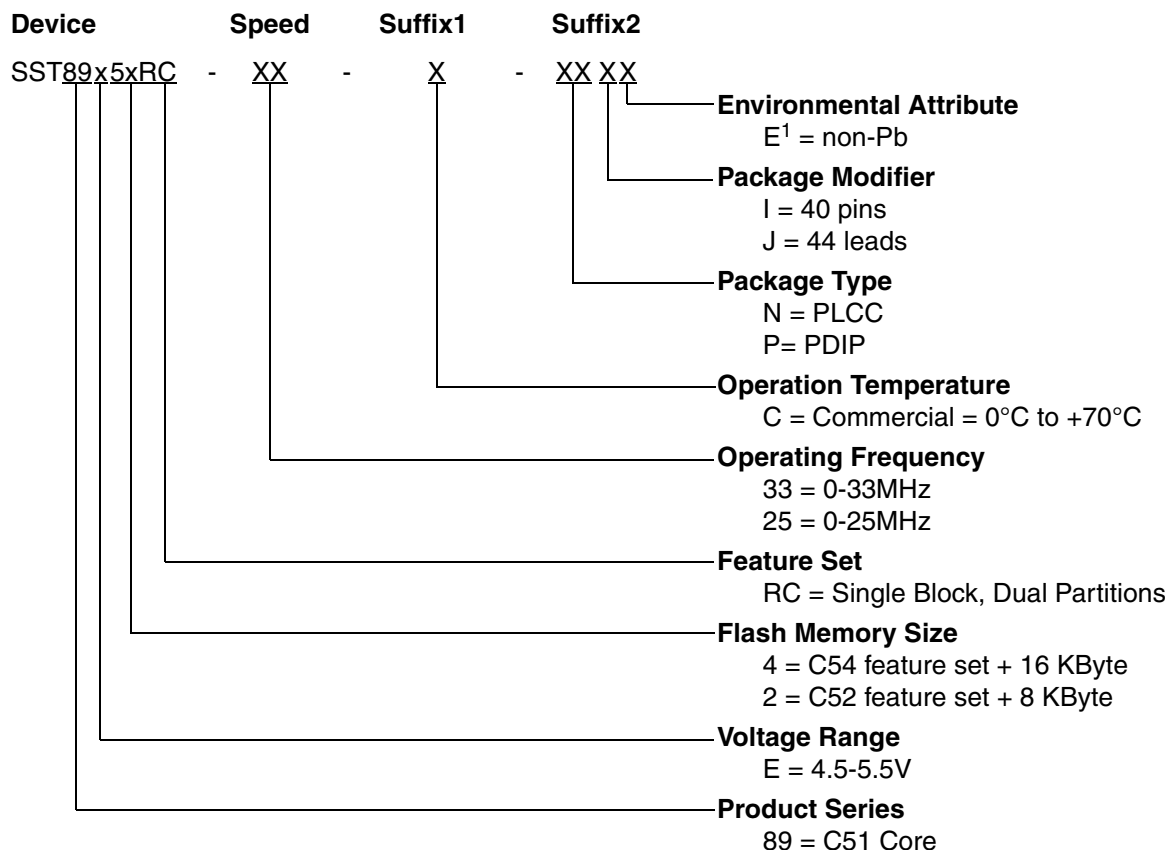
| Parameter <sup>2</sup>              | Max | Units   |
|-------------------------------------|-----|---------|
| Chip-Erase Time                     | 350 | ms      |
| Block-Erase Time                    | 300 | ms      |
| Sector-Erase Time                   | 30  | ms      |
| Byte-Program Time <sup>3</sup>      | 100 | $\mu$ s |
| Re-map or Security bit Program Time | 100 | $\mu$ s |

T12-10.0 1259

1. For IAP operations, the program execution overhead must be added to the above timing parameters.
2. Program and Erase times will scale inversely proportional to programming clock frequency.
3. Each byte must be erased before programming.



### 13.0 PRODUCT ORDERING INFORMATION




---

1. Environmental suffix "E" denotes non-Pb solder.  
SST non-Pb solder devices are "RoHS Compliant".



## 13.1 Valid Combinations

### Valid combinations for SST89E52RC

SST89E52RC-33-C-NJE      SST89E52RC-33-C-PIE

### Valid combinations for SST89E54RC

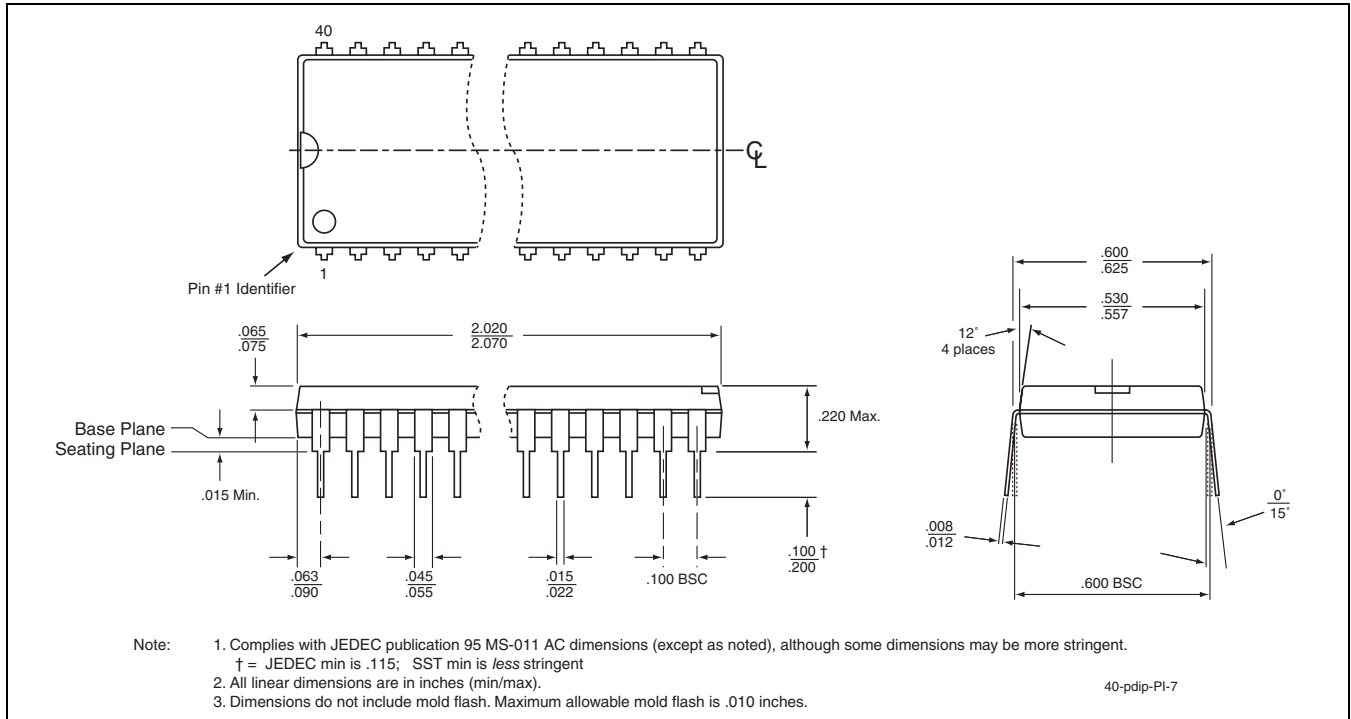
SST89E54RC-33-C-NJE      SST89E54RC-33-C-PIE

**Note:** Valid combinations are those products in mass production or will be in mass production. Consult your SST sales representative to confirm availability of valid combinations and to determine availability of new combinations.

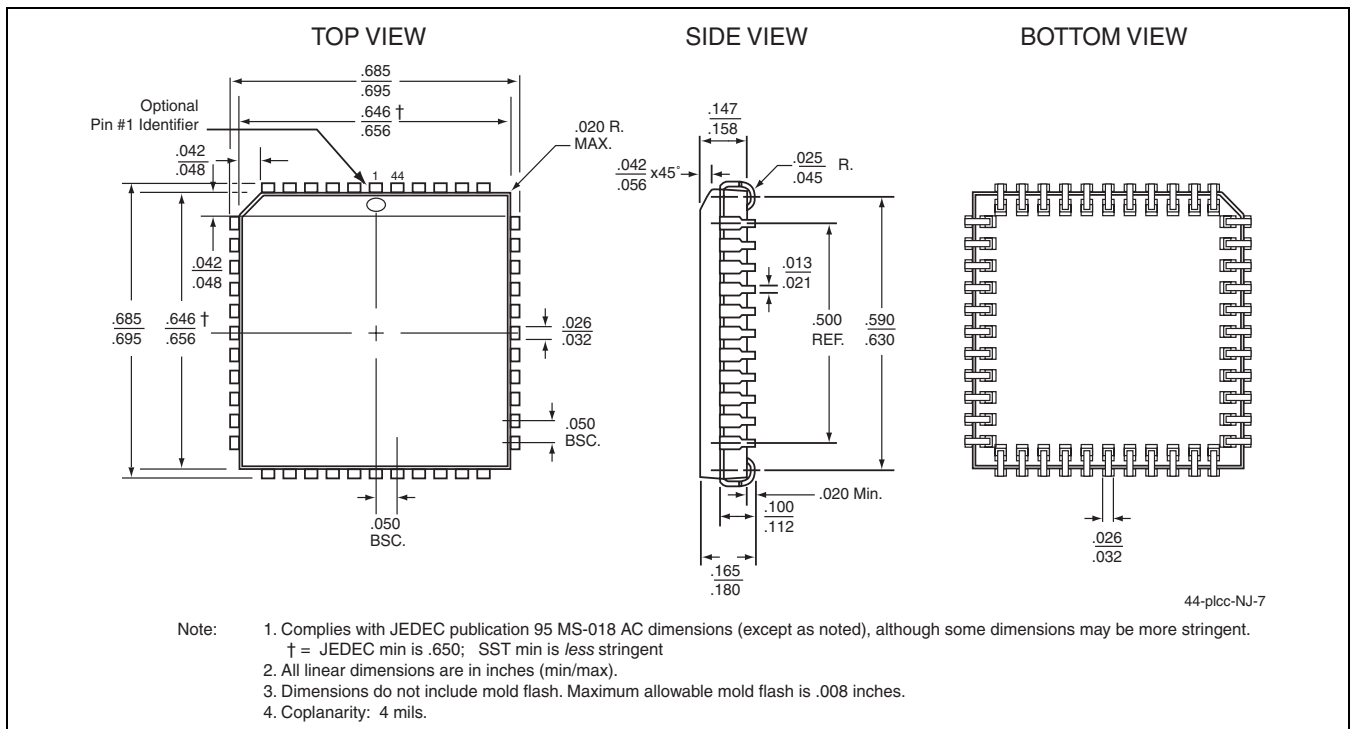


Data Sheet

14.0 PACKAGING DIAGRAMS



**FIGURE 14-1: 40-pin Plastic Dual In-line Pins (PDIP)**  
SST Package Code: PI



**FIGURE 14-2: 44-lead Plastic Lead Chip Carrier (PLCC)**  
SST Package Code: NJ





**TABLE 14-1: Revision History**

| Number | Description  | Date     |
|--------|--|----------|
| 00     | <ul style="list-style-type: none"> <li>Initial Release of Fact Sheet</li> </ul>  | Feb 2005 |
| 01     | <ul style="list-style-type: none"> <li>Added 40-PDIP devices and associated MPNs.</li> <li>Revised Function Block and Pin Assignment diagrams.</li> <li>Revised Valid Combinations product numbers.</li> <li>Removed 4KByte product from the fact sheet (SST89x51RC).</li> <li>Initial Release of Data Sheet</li> </ul>  | Feb 2006 |
| 02     | <ul style="list-style-type: none"> <li>Revised factory pre-programmed BSL statements to pre-programming by user capabilities, pages 1 and 30.</li> <li>Changed 17/9/5 to 17/9 in first paragraph of Section 4.2 on page 27.</li> <li>Changed 2FFFH to 3FFFH in Figure 3-2 on page 11.</li> <li>Removed Industrial (-40°C to +85°C) from Temperature Range on page 1, and Operation Temperature on page 55.</li> <li>Changed <math>T_A = -40^\circ\text{C}</math> to <math>+85^\circ\text{C}</math> to <math>T_A = -0^\circ\text{C}</math> to <math>+70^\circ\text{C}</math> in Tables 12-6, 12-7, and 12-8</li> <li>Removed 44-lead TQFP from Package Available page 1 and TQ = TQFP from Package Type on page 55.</li> <li>Removed "I" and "TQJE" packages from Valid Combinations on page 56.</li> <li>Removed Package diagram for TQFP, Figure 14-3 on page 58.</li> <li>Globally removed all 3V (SST89V52RC/SST89V54RC) references.</li> <li>Removed Pin Assignment for 44-lead TQFP on page 6.</li> <li>Edited Tables 4.-2, 4-3 (page 28), 9-1, (page 40), 11-2 (page 44), 12-1 (page 45), 12-5 (page 46), and 12-7 (page 48) to remove 3V / 89V52EC references.</li> <li>Removed the entire "DC Characteristics for SST89V5xRC..." table.</li> <li>Removed SST89V52RC and SST89V54RC valid combinations page 55.</li> <li>Removed 44-lead Thin Quad Flat Pack (TQFP) package drawing.</li> <li>Edited figures 3-2 and 9-1 to remove 3V / 89V52EC.</li> </ul> | Mar 2006 |
| 03     | <ul style="list-style-type: none"> <li>Changed reset value from 01x0x000b to 10000000b in Table 3-4, page 14.</li> <li>Changed reset value from 01x0x000b to 10000000b in SFCF register, page 16.</li> <li>Changed reset value from xxxxx0xxb to 10111111b in SFCF register, page 18.</li> <li>Changed external host mode: Read-back = 00H to 55H, page 38.</li> <li>Changed MOVD: Read-back = FFH to 00h, page 38.</li> <li>Changed document status from preliminary specification to data sheet.</li> </ul>  | May 2006 |
| 04     | <ul style="list-style-type: none"> <li>Changed FlashFlex51 to FlashFlex globally</li> </ul>  | Jan 2007 |