

HCPL-0700

HCPL-0701

DESCRIPTION

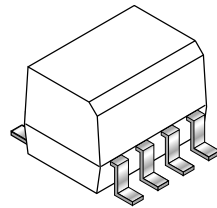
The HCPL-0700 and HCPL-0701 optocouplers consist of an AlGaAs LED optically coupled to a high gain split darlington photodetector housed in a compact 8-pin small outline package.

The split darlington configuration separating the input photodiode and the first stage gain from the output transistor permits lower output saturation voltage and higher speed operation than possible with conventional darlington phototransistor optocoupler.

The combination of a very low input current of 0.5 mA and a high current transfer ratio of 2000% makes this family particularly useful for input interface to MOS, CMOS, LSTTL and EIA RS232C, while output compatibility is ensured to CMOS as well as high fan-out TTL requirements.

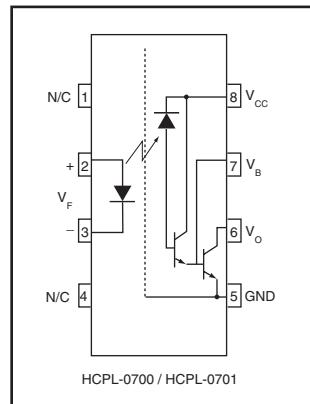
FEATURES

- Low current - 0.5 mA
- Superior CTR-2000%
- Superior CMR-10 kV/μs
- CTR guaranteed 0-70°C
- *BSI, CSA and UL approval

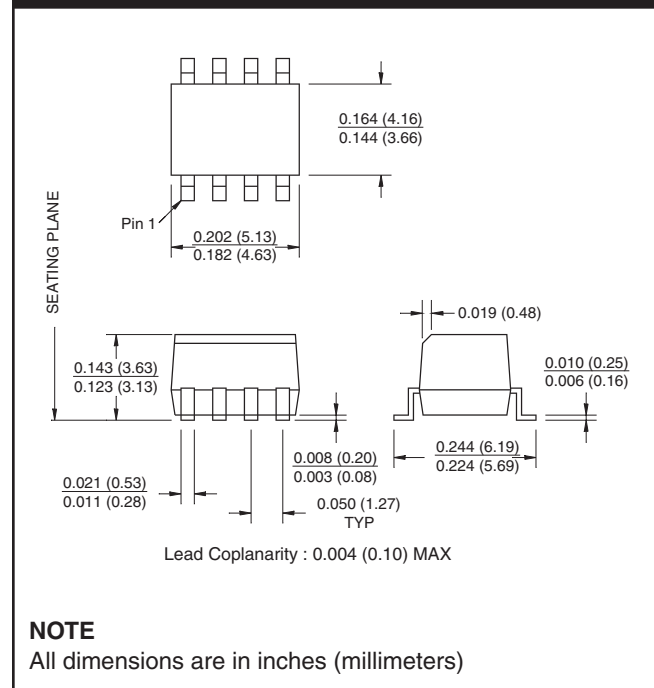


APPLICATIONS

- Digital logic ground isolation
- Telephone ring detector
- EIA-RS-232C line receiver
- High common mode noise line receiver
- μP bus isolation
- Current loop receiver



PACKAGE DIMENSIONS



HCPL-0700

HCPL-0701

ABSOLUTE MAXIMUM RATINGS ($T_A = 25^\circ\text{C}$ unless otherwise specified)			
Parameter	Symbol	Value	Units
Storage Temperature	T_{STG}	-55 to +125	$^\circ\text{C}$
Operating Temperature	T_{OPR}	-55 to +85	$^\circ\text{C}$
Reflow Temperature Profile (Refer to fig. 11)			
EMITTER			
DC/Average Forward Input Current	I_F (avg)	20	mA
Peak Forward Input Current (50% duty cycle, 1 ms P.W.)	I_F (pk)	40	mA
Peak Transient Input Current - ($\leq 1 \mu\text{s}$ P.W., 300 pps)	I_F (trans)	1.0	A
Reverse Input Voltage	V_R	5	V
Input Power Dissipation	P_D	35	mW
DETECTOR			
Average Output Current (Pin 6)	I_O (avg)	60	mA
Emitter-Base Reverse Voltage	V_{EBR}	0.5	V
Supply Voltage, Output Voltage	V_{CC}, V_O	-0.5 to 7	V
		-0.5 to 18	V
Output power dissipation	P_D	100	mW

*Samples submitted for certification - Approval pending

ELECTRICAL CHARACTERISTICS ($T_A = 0$ to 70°C Unless otherwise specified)							
INDIVIDUAL COMPONENT CHARACTERISTICS							
Parameter	Test Conditions	Symbol	Device	Min	Typ**	Max	Unit
EMITTER Input Forward Voltage	($T_A = 25^\circ\text{C}$)	V_F	All	1.0	1.27	1.7	V
	($I_F = 1.6 \text{ mA}$)					1.75	
Input Reverse Breakdown Voltage	($T_A = 25^\circ\text{C}$, $I_R = 10 \mu\text{A}$)	BV_R	All	5.0	20		
Temperature coefficient of forward voltage	($I_F = 1.6 \text{ mA}$)	$(\Delta V_F / \Delta T_A)$	All		-1.8		mV/ $^\circ\text{C}$
DETECTOR Logic high output current	($I_F = 0 \text{ mA}$, $V_O = V_{CC} = 18 \text{ V}$)	I_{OH}	HCPL-0701		0.01	100	μA
	($I_F = 0 \text{ mA}$, $V_O = V_{CC} = 7 \text{ V}$)		HCPL-0700		0.01	250	
Logic low supply	($I_F = 1.6 \text{ mA}$, $V_O = \text{Open}$)	I_{CCL}	HCPL-0700		0.4	1.5	mA
	($V_{CC} = 18 \text{ V}$)		HCPL-0701				
Logic high supply	($I_F = 0 \text{ mA}$, $V_O = \text{Open}$)	I_{CCH}	HCPL-0700		0.05	10	μA
	($V_{CC} = 18 \text{ V}$)		HCPL-0701				

HCPL-0700

HCPL-0701

TRANSFER CHARACTERISTICS ($T_A = 0$ to 70°C Unless otherwise specified)							
Parameter	Test Conditions	Symbol	Device	Min	Typ**	Max	Unit
COUPLED Current transfer ratio (Notes 1,2)	($I_F = 0.5$ mA, $V_O = 0.4$ V, $V_{CC} = 4.5$ V)	CTR	HCPL-0701	400	2000	5000	%
	($I_F = 1.6$ mA, $V_O = 0.4$ V, $V_{CC} = 4.5$ V)		HCPL-0701	500	1300	2600	
	($I_F = 1.6$ mA, $V_O = 0.4$ V, $V_{CC} = 4.5$ V)		HCPL-0700	300	1300	2600	
Logic low output voltage output voltage	($I_F = 0.5$ mA, $I_O = 2$ mA, $V_{CC} = 4.5$ V)	V_{OL}	HCPL-0701		0.05	0.4	V
	($I_F = 1.6$ mA, $I_O = 8$ mA, $V_{CC} = 4.5$ V)				0.10	0.4	
	($I_F = 5$ mA, $I_O = 15$ mA, $V_{CC} = 4.5$ V)				0.13	0.4	
	($I_F = 12$ mA, $I_O = 24$ mA, $V_{CC} = 4.5$ V)				0.20	0.4	
	($I_F = 1.6$ mA, $I_O = 4.8$ mA, $V_{CC} = 4.5$ V)		HCPL-0700		0.08	0.4	

ISOLATION CHARACTERISTICS ($T_A = 0$ to 70°C Unless otherwise specified)						
Characteristics	Test Conditions	Symbol	Min	Typ**	Max	Unit
Input-output insulation leakage current	(Relative humidity = 45%) ($T_A = 25^\circ\text{C}$, $t = 5$ s) ($V_{I-O} = 3000$ VDC) (Note 4)	I_{I-O}			1.0	μA
Withstand insulation test voltage	($R_H \leq 50\%$, $T_A = 25^\circ\text{C}$) (Note 4, 5) ($t = 1$ min.)	V_{ISO}	2500			V_{RMS}
Resistance (input to output)	(Note 4) ($V_{I-O} = 500$ VDC)	R_{I-O}		10^{12}		Ω

** All typicals at $T_A = 25^\circ\text{C}$

HCPL-0700

HCPL-0701

SWITCHING CHARACTERISTICS ($T_A = 0$ to 70°C unless otherwise specified., $V_{CC} = 5\text{ V}$)							
Parameter	Test Conditions	Symbol	Device	Min	Typ**	Max	Unit
Propagation delay time to logic low (Note 2) (Fig. 13)	$(R_L = 4.7\text{ k}\Omega, I_F = 0.5\text{ mA})$ $T_A = 25^\circ\text{C}$	T_{PHL}	HCPL-0701		4	30 25	μs
	$(R_L = 270\ \Omega, I_F = 12\text{ mA})$ $T_A = 25^\circ\text{C}$		HCPL-0701		0.2	2 1	
	$(R_L = 2.2\text{ k}\Omega, I_F = 1.6\text{ mA})$ $T_A = 25^\circ\text{C}$		HCPL-0700		1.5	15 10	
Propagation delay time to logic high (Note 2) (Fig. 13)	$(R_L = 4.7\text{ k}\Omega, I_F = 0.5\text{ mA})$ $(R_L = 4.7\text{ k}\Omega, I_F = 0.5\text{ mA}) T_A = 25^\circ\text{C}$	T_{PLH}	HCPL-0701		12	90 60	μs
	$(R_L = 270\ \Omega, I_F = 12\text{ mA})$ $T_A = 25^\circ\text{C}$		HCPL-0701		1.3	10 7	
	$(R_L = 2.2\text{ k}\Omega, I_F = 1.6\text{ mA})$ $T_A = 25^\circ\text{C}$		HCPL-0700		7	50 35	
Common mode transient immunity at logic high	$(I_F = 0\text{ mA}, V_{CM} = 10\text{ V}_{P-P})$ $T_A = 25^\circ\text{C}$ ($R_L = 2.2\text{ k}\Omega$) (Note 3) (Fig. 14)	ICM_{HI}	HCPL-0700	1,000	10,000		$\text{V}/\mu\text{s}$
			HCPL-0701				
Common mode transient immunity at logic low	$(I_F = 1.6\text{ mA}, V_{CM} = 10\text{ V}_{P-P}, R_L = 2.2\text{ k}\Omega)$ $T_A = 25^\circ\text{C}$ (Note 3) (Fig. 14)	ICM_{LI}	HCPL-0700	1,000	10,000		$\text{V}/\mu\text{s}$
			HCPL-0701				

NOTES

1. Current Transfer Ratio is defined as a ratio of output collector current, I_O , to the forward LED input current, I_F times 100%.
2. Pin 7 open. Use of a resistor between pins 5 and 7 will decrease gain and delay time.
3. Common mode transient immunity in logic high level is the maximum tolerable (positive) dV_{CM}/dt on the leading edge of the common mode pulse signal, V_{CM} , to assure that the output will remain in a logic high state (i.e., $V_O > 2.0\text{ V}$). Common mode transient immunity in logic low level is the maximum tolerable (negative) dV_{CM}/dt on the trailing edge of the common mode pulse signal, V_{CM} , to assure that the output will remain in a logic low state (i.e., $V_O < 0.8\text{ V}$).
4. Device is considered a two terminal device: Pins 1, 2, 3 and 4 are shorted together and Pins 5, 6, 7 and 8 are shorted together.
5. 2500 VAC RMS for 1 minute duration is equivalent to 3000 VAC RMS for 1 second duration.

** All typicals at $T_A = 25^\circ\text{C}$

HCPL-0700

HCPL-0701

ELECTRICAL CHARACTERISTICS ($T_A = 0$ to 70°C unless otherwise specified)

Current Limiting Resistor Calculations

$$R_1(\text{Non-Invert}) = \frac{V_{DD1} - V_{DF} - V_{OL1}}{I_F}$$

$$R_1(\text{Invert}) = \frac{V_{DD1} - V_{OH1} - V_{DF}}{I_F}$$

$$R_2 = \frac{V_{DD2} - V_{OLX}(@I_L - I_2)}{I_L}$$

Where:

- V_{DD1} - Input Supply Voltage
- V_{DD2} - Output Supply Voltage
- V_{DF} - Diode Forward Voltage
- V_{OL1} - Logic "0" Voltage of Driver
- V_{OH1} - Logic "1" Voltage of Driver
- I_F - Diode Forward Current
- V_{OLX} - Saturation Voltage of Output Transistor
- I_L - Load Current Through Resistor R2
- I_2 - Input Current of Output Gate

INPUT			OUTPUT						
			CMOS @ 5V	CMOS @ 10V	74XX	74LXX	74SXX	74LSXX	74HXX
		R1 (Ω)	R2 (Ω)	R2 (Ω)	R2 (Ω)	R2 (Ω)	R2 (Ω)	R2 (Ω)	R2 (Ω)
CMOS @ 5V	NON-INV.	2000	1000	2200	750	1000	1000	1000	560
	INV.	510							
CMOS @ 10V	NON-INV.	5100							
	INV.	4700							
74XX	NON-INV.	2200							
	INV.	180							
74LXX	NON-INV.	1800							
	INV.	100							
74SXX	NON-INV.	2000							
	INV.	360							
74LSXX	NON-INV.	2000							
	INV.	180							
74HXX	NON-INV.	2000							
	INV.	180							

Fig. 1 Resistor Values for Logic Interface

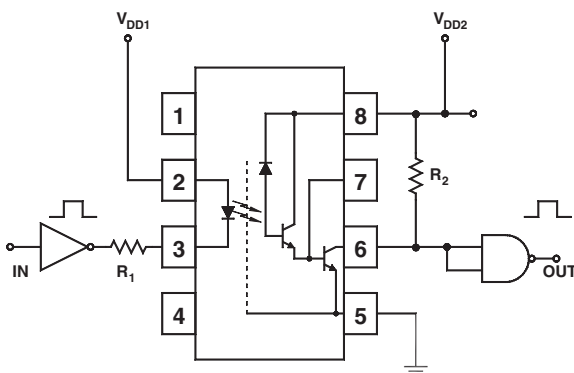


Fig. 2 Non-Inverting Logic Interface

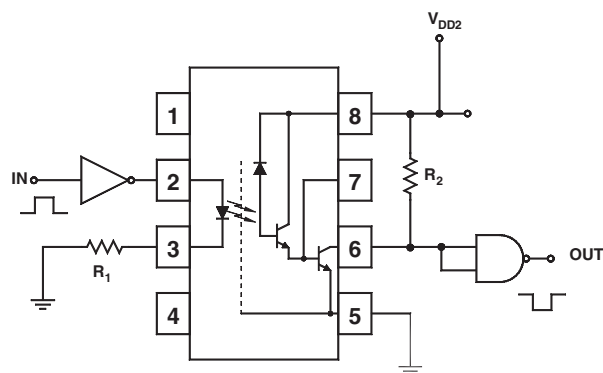


Fig. 3 Inverting Logic Interface

HCPL-0700

HCPL-0701

TYPICAL PERFORMANCE CURVES

Fig. 4 Propagation Delay vs. Temperature

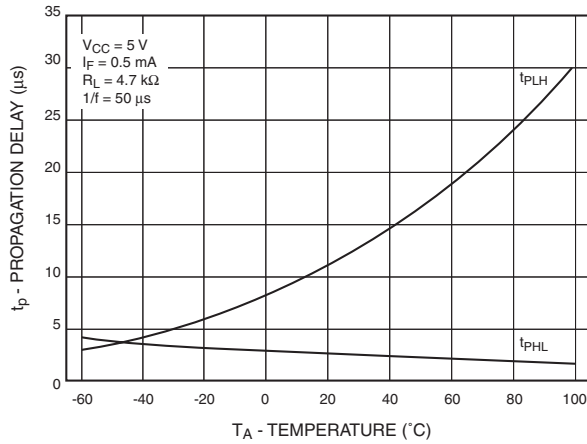


Fig. 5 Propagation Delay vs. Temperature

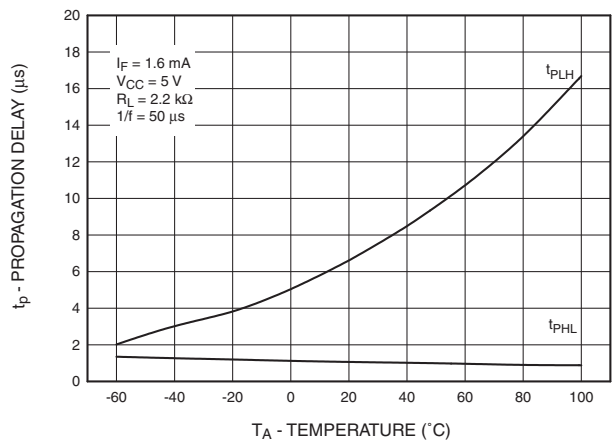


Fig. 6 Propagation Delay vs. Temperature

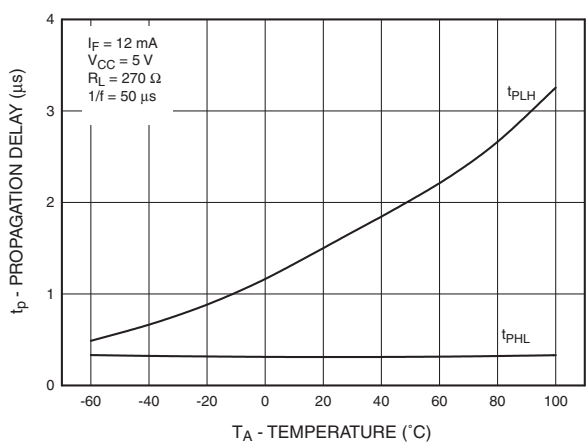
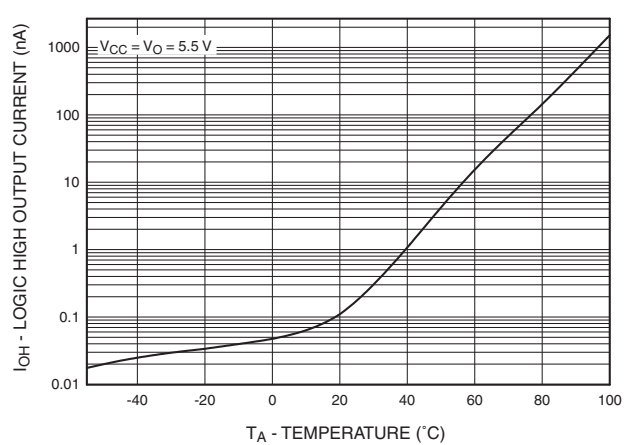


Fig. 7 Logic High Output Current vs. Temperature



HCPL-0700

HCPL-0701

TYPICAL PERFORMANCE CURVES

Fig. 8 Output Current vs. Input Forward Current

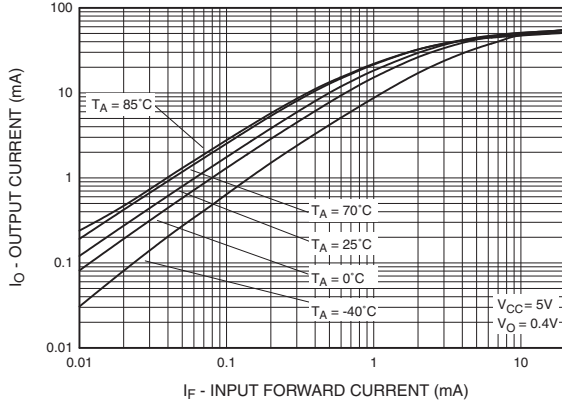


Fig. 9 Input Forward Current vs. Forward Voltage

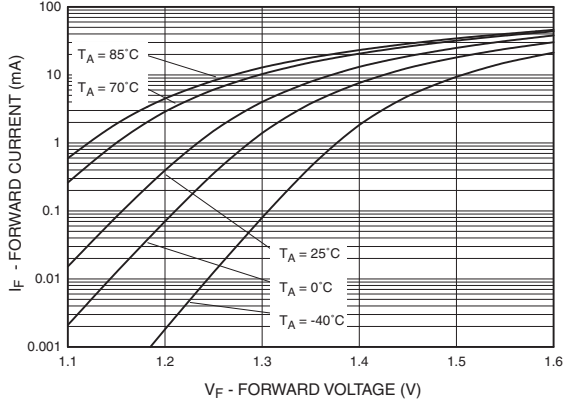


Fig. 10 Logic Low Supply Current vs. Input Forward Current

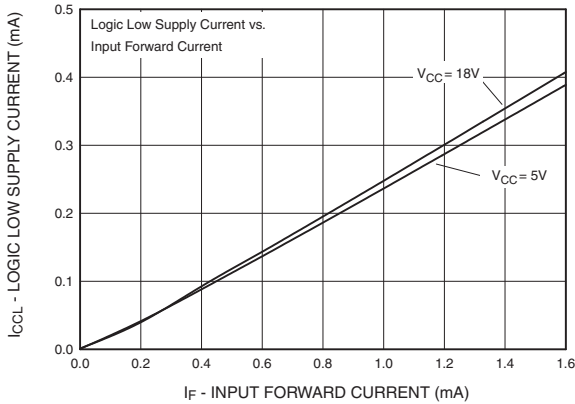


Fig. 11 DC Transfer Characteristics

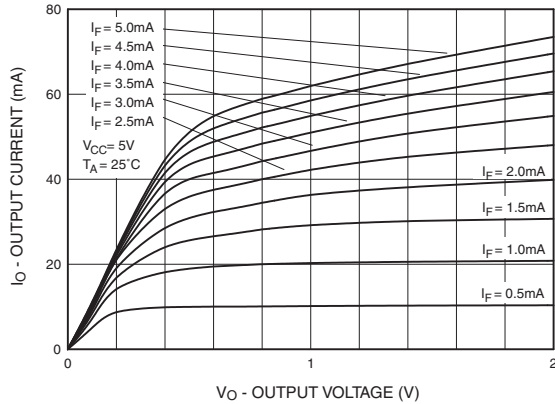
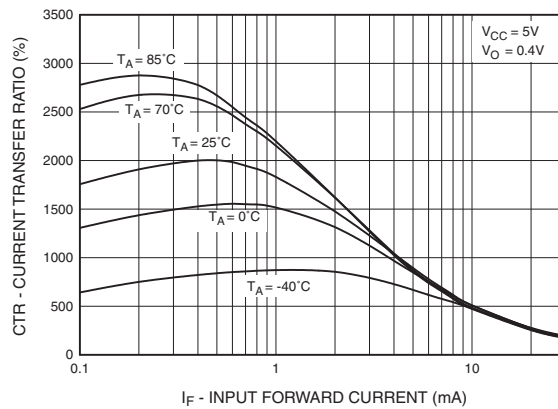
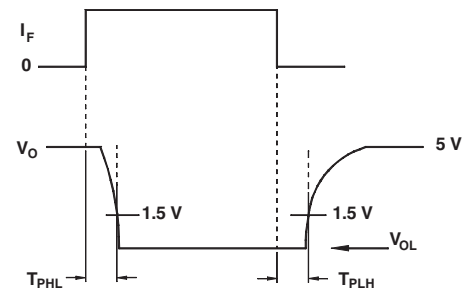
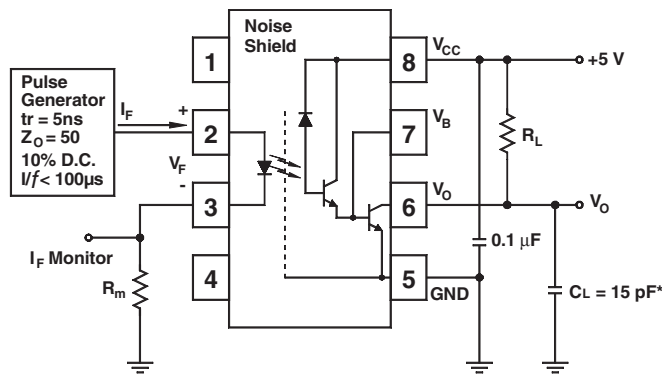


Fig. 12 Current Transfer Ratio vs. Input Forward Current



HCPL-0700

HCPL-0701



* Includes probe and fixture capacitance

Fig. 13 Switching Time Test Circuit

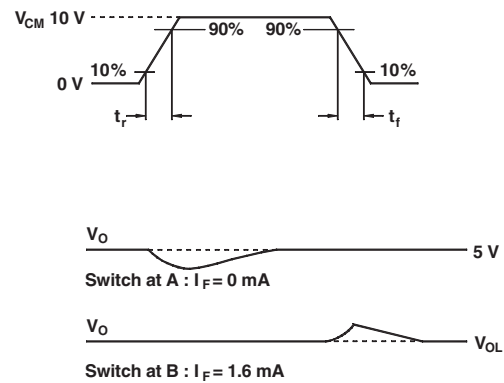
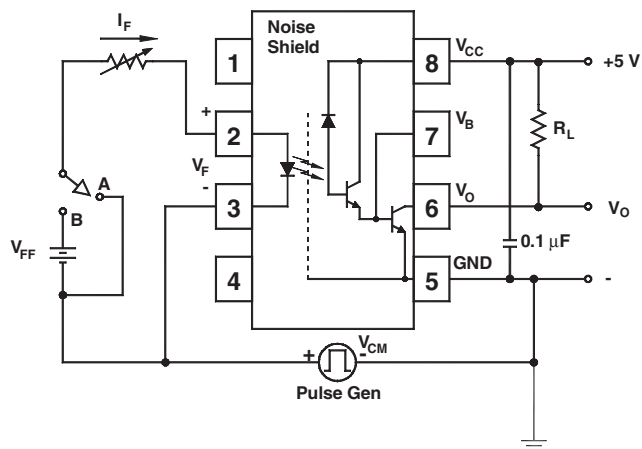


Fig. 14 Common Mode Immunity Test Circuit

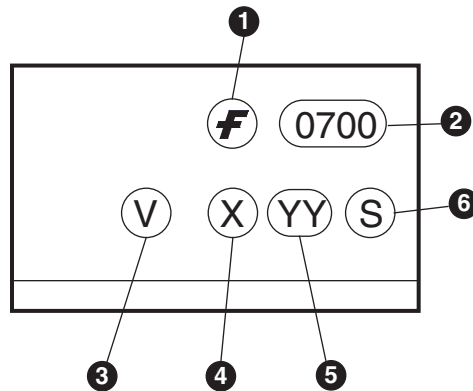
HCPL-0700

HCPL-0701

ORDERING INFORMATION

Option	Order Entry Identifier	Description
V	V	VDE 0884
R1	R1	Tape and reel (500 units per reel)
R1V	R1V	VDE 0884, Tape and reel (500 units per reel)
R2	R2	Tape and reel (2500 units per reel)
R2V	R2V	VDE 0884, Tape and reel (2500 units per reel)

MARKING INFORMATION

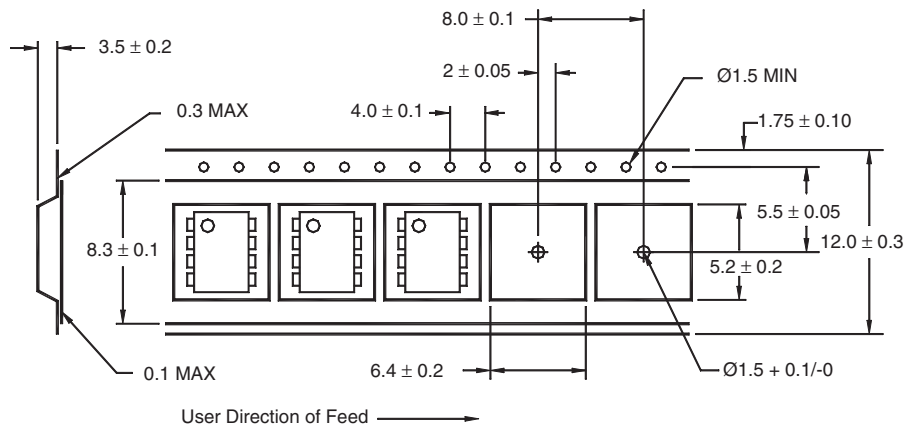


Definitions	
1	Fairchild logo
2	Device number
3	VDE mark (Note: Only appears on parts ordered with VDE option – See order entry table)
4	One digit year code, e.g., '3'
5	Two digit work week ranging from '01' to '53'
6	Assembly package code

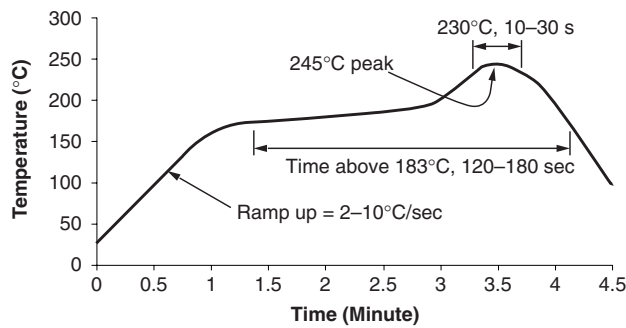
HCPL-0700

HCPL-0701

Carrier Tape Specifications



Reflow Profile



- Peak reflow temperature: 245°C (package surface temperature)
- Time of temperature higher than 183°C for 120-180 seconds
- One time soldering reflow is recommended

HCPL-0700

HCPL-0701

DISCLAIMER

FAIRCHILD SEMICONDUCTOR RESERVES THE RIGHT TO MAKE CHANGES WITHOUT FURTHER NOTICE TO ANY PRODUCTS HEREIN TO IMPROVE RELIABILITY, FUNCTION OR DESIGN. FAIRCHILD DOES NOT ASSUME ANY LIABILITY ARISING OUT OF THE APPLICATION OR USE OF ANY PRODUCT OR CIRCUIT DESCRIBED HEREIN; NEITHER DOES IT CONVEY ANY LICENSE UNDER ITS PATENT RIGHTS, NOR THE RIGHTS OF OTHERS.

LIFE SUPPORT POLICY

FAIRCHILD'S PRODUCTS ARE NOT AUTHORIZED FOR USE AS CRITICAL COMPONENTS IN LIFE SUPPORT DEVICES OR SYSTEMS WITHOUT THE EXPRESS WRITTEN APPROVAL OF THE PRESIDENT OF FAIRCHILD SEMICONDUCTOR CORPORATION. As used herein:

1. Life support devices or systems are devices or systems which, (a) are intended for surgical implant into the body, or (b) support or sustain life, and (c) whose failure to perform when properly used in accordance with instructions for use provided in the labeling, can be reasonably expected to result in a significant injury of the user.
2. A critical component in any component of a life support device or system whose failure to perform can be reasonably expected to cause the failure of the life support device or system, or to affect its safety or effectiveness.