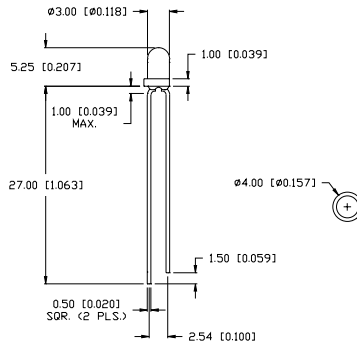


Discrete LEDs ~ Dome Lens



SSL-LX3054xD Series

3mm Standard Lens, Diffused



FEATURES / OPTIONS

- ▶ State-of-the-Art, High Brightness Chip Technology
- ▶ Choice of Colors and Lens Finishes
- ▶ Lead Frame / Lens Casting Reliability
- ▶ Easy-to-Solder Leads, Tin Finish
- ▶ Available Bulk or on Tape and Reel
- ▶ Lead Trimming and Forming Available
- ▶ Custom Shapes, Easily Tooled, Low Minimum
- ▶ Blinking LED
- ▶ With Internal Resistor for 5V and 12V Operation

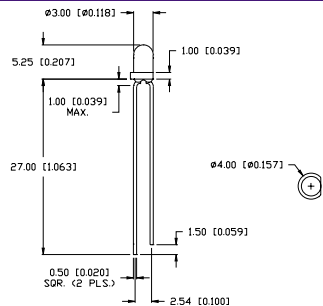
APPLICATIONS / USES

- ▶ Board or Panel Indication or Illumination
- ▶ Backlighting of Overlays and Graphics
- ▶ Annunciator and Control Panels
- ▶ Keyboards and Switches
- ▶ Telecom Switches and Central Station Equipment
- ▶ Signs, Warning Lights, Displays

Lumex Part Number	Die Material	Emitted Color	Peak (nm)	Lens	Operating Current (mA)	Operating TYP. Vf (V)	Brightness TYP. Mcd	@ mA	View Angle° 2θ
HIGH BRIGHTNESS									
SSL-LX3054SID	AlInGaP	Super High Intensity Red	636	Red Diffused	5-25	2	100	20	60
SSL-LX3054SOD	AlInGaP	Super Orange	610	Orange Diffused	5-25	2	100	20	60
SSL-LX3054SUGD	AlInGaP	Super Ultra Green	574	Green Diffused	5-25	2.2	180	20	60
SSL-LX3054SYD	AlInGaP	Super Yellow	590	Yellow Diffused	5-25	2	250	20	60
SSL-LX3054USBD	InGaN/SiC	Ultra Super Blue	470	Blue Diffused	5-25	3.5	80	20	60
STANDARD BRIGHTNESS									
SSL-LX3054AD	GaAsP	Amber	605	Amber Diffused	5-25	2.1	40	20	60
SSL-LX3054GD	GaP	Green	565	Green Diffused	5-25	2.2	40	20	60
SSL-LX3054HD	GaP	High Efficiency Red	700	Red Diffused	5-25	2	6	20	60
SSL-LX3054ID	GaAsP	High Intensity Red	635	Red Diffused	5-25	2	40	20	60
SSL-LX3054PGD	GaP	Pure Green	555	Green Diffused	5-25	2.1	10	20	60
SSL-LX3054SRD	GaAlAs	Super Red	660	Red Diffused	5-25	1.7	80	20	60
SSL-LX3054YD	GaAsP	Yellow	585	Yellow Diffused	5-25	2.1	12	20	60

SSL-LX3054xC Series

T-3mm Standard Lens, Clear



FEATURES / OPTIONS

- ▶ State-of-the-Art, High Brightness Chip Technology
- ▶ Choice of Colors and Lens Finishes
- ▶ Lead Frame / Lens Casting Reliability
- ▶ Easy-to-Solder Leads, Tin Finish
- ▶ Available Bulk or on Tape and Reel
- ▶ Lead Trimming and Forming Available
- ▶ Custom Shapes, Easily Tooled, Low Minimum
- ▶ Blinking LED
- ▶ With Internal Resistor for 5V and 12V Operation

APPLICATIONS / USES

- ▶ Board or Panel Indication or Illumination
- ▶ Backlighting of Overlays and Graphics
- ▶ Annunciator and Control Panels
- ▶ Keyboards and Switches
- ▶ Telecom Switches and Central Station Equipment
- ▶ Signs, Warning Lights, Displays

Lumex Part Number	Die Material	Emitted Color	Peak (nm)	Lens	Operating Current (mA)	Operating TYP. Vf (V)	Brightness TYP. Mcd	@ mA	View Angle° 2θ
HIGH BRIGHTNESS									
SSL-LX3054SIC	AlInGaP	Super High Intensity Red	636	Water Clear	5-25	2	1800	20	30
SSL-LX3054SOC	AlInGaP	Super Orange	610	Water Clear	5-25	2	2500	20	30
SSL-LX3054SUGC	AlInGaP	Super Ultra Green	574	Water Clear	5-25	2.2	1000	20	30
SSL-LX3054SYC	AlInGaP	Super Yellow	590	Water Clear	5-25	2	1000	20	30
SSL-LX3054USBC	InGaN/SiC	Ultra Super Blue	470	Water Clear	5-25	3.5	1000	20	30
SSL-LX3054UWC/A	GaN	Ultra White	-	Water Clear	5-25	3.5	750	20	30
SSL-LX3054UWC/B	GaN	Ultra White	-	Water Clear	5-25	3.5	900	20	30
STANDARD BRIGHTNESS									
SSL-LX3054AC	GaAsP	Amber	605	Water Clear	5-25	2.1	80	20	30
SSL-LX3054GC	GaP	Green	565	Water Clear	5-25	2.2	80	20	30
SSL-LX3054HC	GaP	High Efficiency Red	700	Water Clear	5-25	2	30	20	30
SSL-LX3054IC	GaAsP	High Intensity Red	635	Water Clear	5-25	2	80	20	30
SSL-LX3054PGC	GaP	Pure Green	555	Water Clear	5-25	2.1	50	20	30
SSL-LX3054SRC	GaAlAs	Super Red	660	Water Clear	5-25	1.7	300	20	30
SSL-LX3054YC	GaAsP	Yellow	585	Water Clear	5-25	2.1	80	20	30



USA/Canada 1-800-278-5666
Asia +886-3-5821124



www.lumex.com



USA/Canada 1-847-359-8904
Asia +886-3-5821154