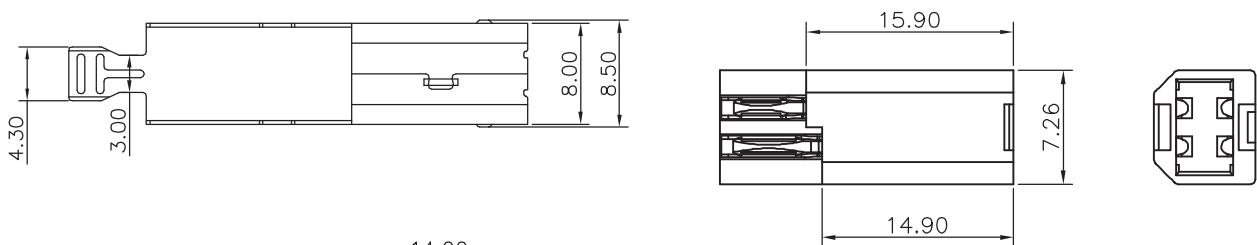
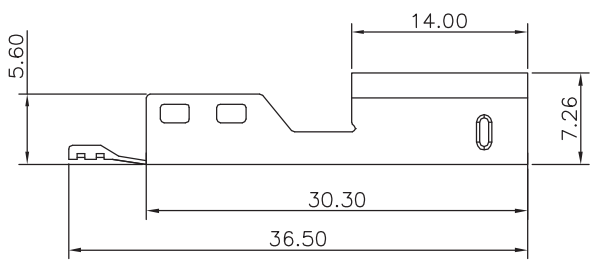


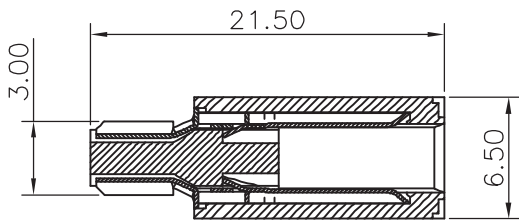
A



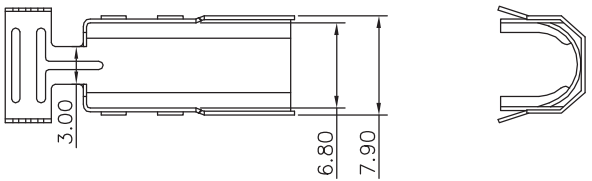
B



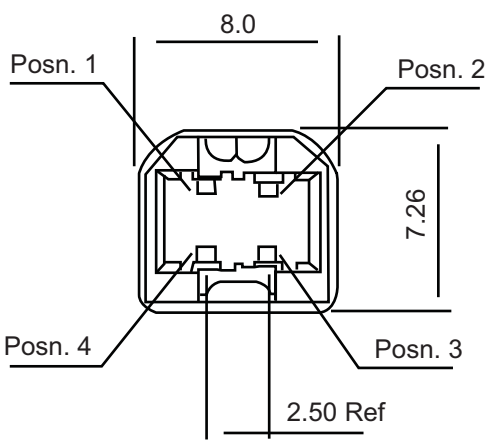
C



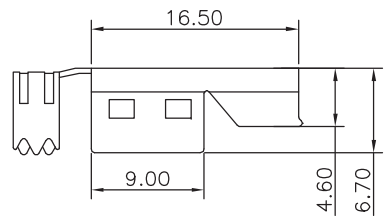
D



E



F



**Material:**

- Housing: PBT+30%GF UL 94V-0
- Contact: Brass
- Shell: SPCC
- Contact: 30µ Gold Contact Plating over Nickel Plated
- Shell: Nickel Over All Plating

**Electrical:**

- Voltage Rating: 30V
- Current Rating: 1.5A
- Contact Resistance Terminal: 30MΩ Max
- Dielectric Withstanding Voltage: 500V AC
- Insulation Resistance: 1000MΩ Min

**Mechanical:**

- Mating: 35N Max
- Withdrawl Force: 10N Min
- Durability: 1500 Cycles Min

**Environmental:**

- Temperature Range: -20°~+85°C

Unit: MM±0.15MM

G

Scale	1:1						Name	Item No. <b>A-USBPB-2-R</b>
TOLERANCE							Drawn 10.19.11 Chappell	
X.X	±0.40						Approved	Title USB, Type B, Assembly-Type, Version 2.0
X.XX	±0.25							Drawing No.
X.XXX	±0.15							rev00
Angle	±3°							Replace
								Sheet



H