

■Features

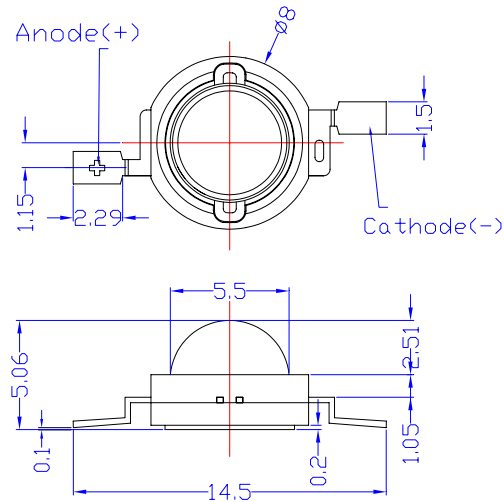
- Highest luminous flux
- Super energy efficiency
- Very long operating life
- Superior ESD protection

■Applications

- Green House Applications
- Red : Blue LED Iv Ratio is 8:1*

*The ratio is summarized by the photosynthesis test on Phalaenopsis and provided from plant workshop in Taiwan.

■Outline Dimension



Unit:mm
Tolerances are for reference only

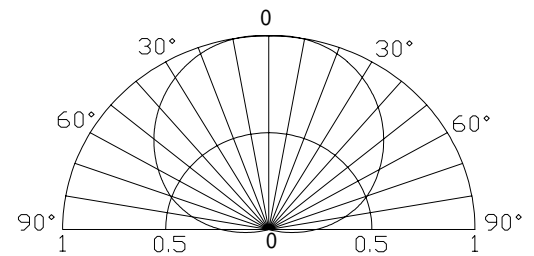
■Absolute Maximum Rating

(Ta=25)

Item	Symbol	Value	Unit
DC Forward Current	I_F	500	mA
Pulse Forward Current*	I_{FP}	700	mA
Reverse Voltage	V_R	5	V
Power Dissipation	P_D	1500	mW
Operating Temperature	T_{opr}	-30 ~ +85	
Storage Temperature	T_{stg}	-40 ~ +100	
Lead Soldering Temperature	T_{sol}	260 /5sec	-

*Pulse width Max.10ms, Duty ratio max 1/10

■Directivity

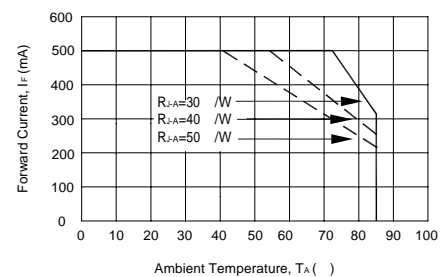


■Electrical -Optical Characteristics

(Ta=25)

Item	Symbol	Condition	Min.	Typ.	Max.	Unit
DC Forward Voltage	V_F	$I_F=350mA$	2.0	2.5	3.0	V
DC Reverse Current	I_R	$V_R=5V$	-	-	10	μA
Peak Wavelength	λ_D	$I_F=350mA$	650	660	670	nm
Radiant Power	P_o	$I_F=350mA$	-	150	-	mW
50% Power Angle	$2\theta_{1/2}$	$I_F=350mA$	-	140	-	deg

Forward Operating Current (DC)



Note: Don't drive at rated current more than 5s without heat sink for Xeon 1 emitter series.