

PLEASE CHECK WWW.MOLEX.COM FOR LATEST PART INFORMATION

Part Number: [0784990002](#)
Status: **Active**
Description: Camera Socket for Mobile Phone, Bottom Contact, 6.5x6.5 Camera Module, without Pick-and-Place Cap, Lead free

Documents:

[Drawing \(PDF\)](#) [RoHS Certificate of Compliance \(PDF\)](#)
[Product Specification PS-78499-001 \(PDF\)](#)

General

Product Family	Other Sockets
Series	78499
Comments	Without Cap
Component Type	Socket
Product Name	Camera Socket

Physical

Circuits (Loaded)	24
Circuits (maximum)	24
Color - Resin	Black
Durability (mating cycles max)	5
Entry Angle	Vertical (Top Entry)
Keying to Mating Part	Yes
Material - Metal	Copper Alloy
Material - Plating Mating	Gold
Material - Plating Termination	Gold
Material - Resin	High Temperature Thermoplastic
PCB Locator	No
PCB Retention	Yes
Packaging Type	Embossed Tape on Reel
Pitch - Mating Interface (in)	0.024 In
Pitch - Mating Interface (mm)	0.60 mm
Pitch - Term. Interface (in)	0.024 In
Pitch - Term. Interface (mm)	0.60 mm
Plating min: Mating (µin)	12
Plating min: Mating (µm)	0.3
Plating min: Termination (µin)	0.08
Plating min: Termination (µm)	0.020
Temperature Range - Operating	-55°C to +85°C
Termination Interface: Style	Surface Mount

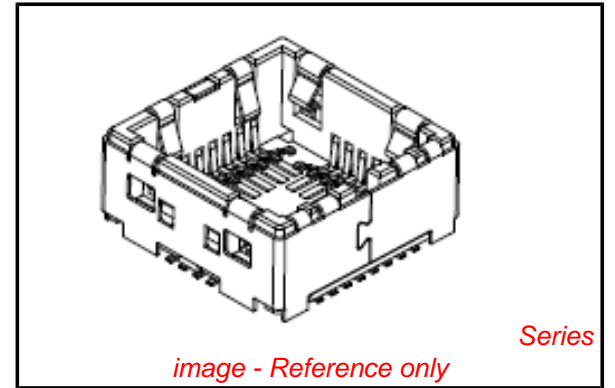
Electrical

Current - Maximum per Contact	0.5A
Voltage - Maximum	50V DC

Material Info

Reference - Drawing Numbers

Packaging Specification	PK-78499-001
Product Specification	PS-78499-001
Sales Drawing	SD-78499-001



EU RoHS

**ELV and RoHS
Compliant**
**REACH SVHC
Contains SVHC: No**
**Halogen-Free
Status
Not Reviewed**

China RoHS



**Need more information on product
environmental compliance?**

Email productcompliance@molex.com
 For a multiple part number RoHS Certificate of Compliance, [click here](#)

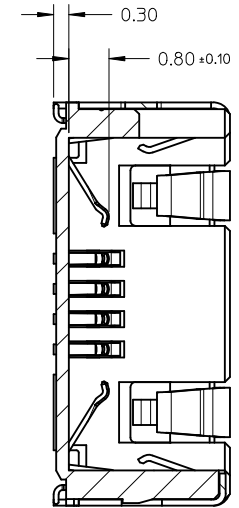
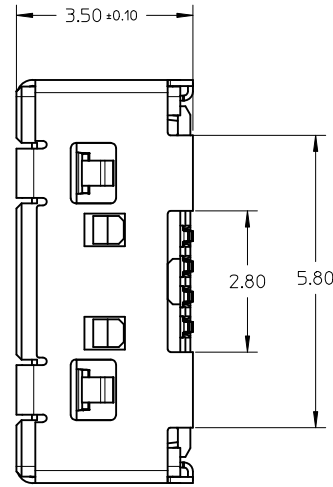
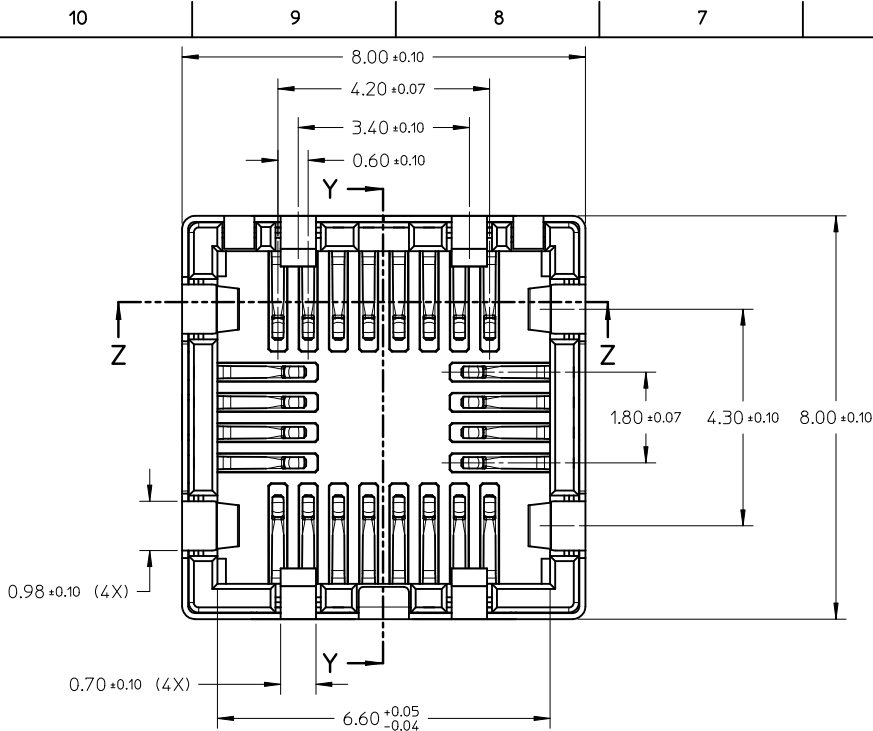
Please visit the [Contact Us](#) section for any non-product compliance questions.

Search Parts in this Series

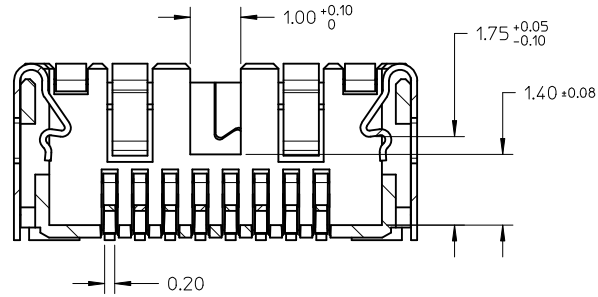
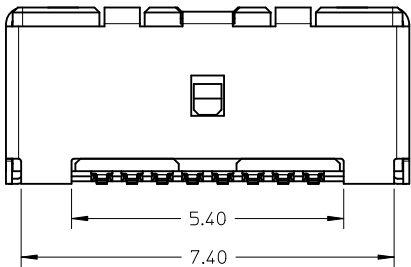
[78499Series](#)

Mates With

Camera Module



SECTION Y-Y

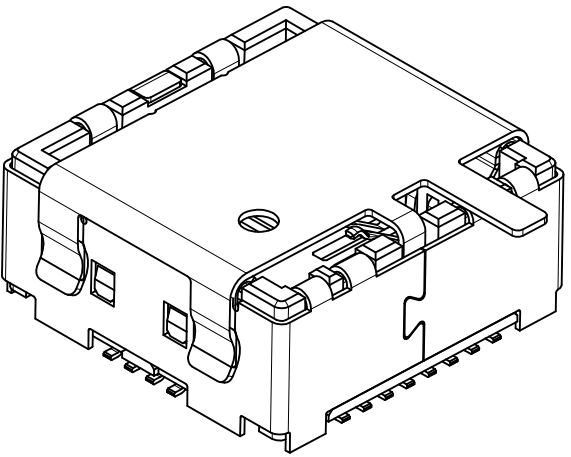
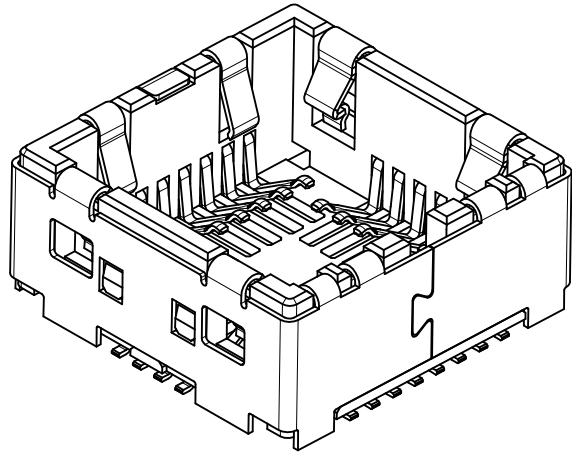
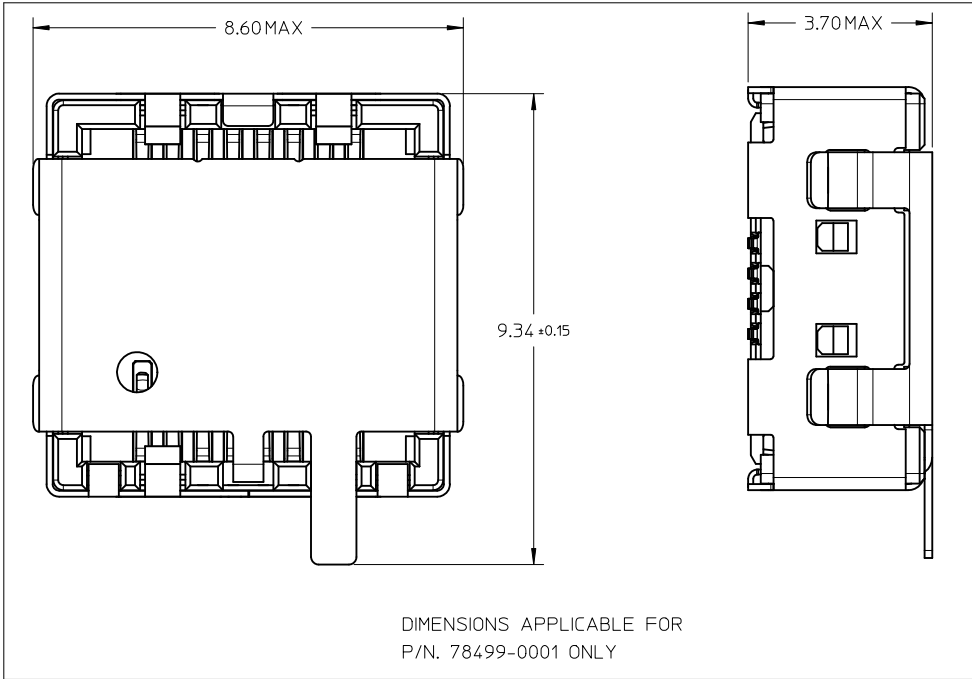


SECTION Z-Z

NOTES:

1. MATERIALS
HOUSING: HIGH TEMPERATURE PLASTIC, BLACK
TERMINAL: COPPER ALLOY.
SHIELD : COPPER ALLOY.
2. FINISHES
SHIELD : SOLDERABLE NICKEL PLATING OVERALL
TERMINAL: NICKEL UNDERPLATING 1.0 MICROMETER MIN OVERALL
GOLD PLATING 0.3 MICROMETER MIN ON CONTACT AREA
GOLD PLATING 0.02 MICROMETER MIN ON SOLDER TAIL
3. PRODUCT SPECIFICATION : PS-78499-001
4. PACKAGING : TAPE AND REEL. REFER TO PK-78499-001
5. OVERALL COPLANARITY TO BE 0.10 MM MAX

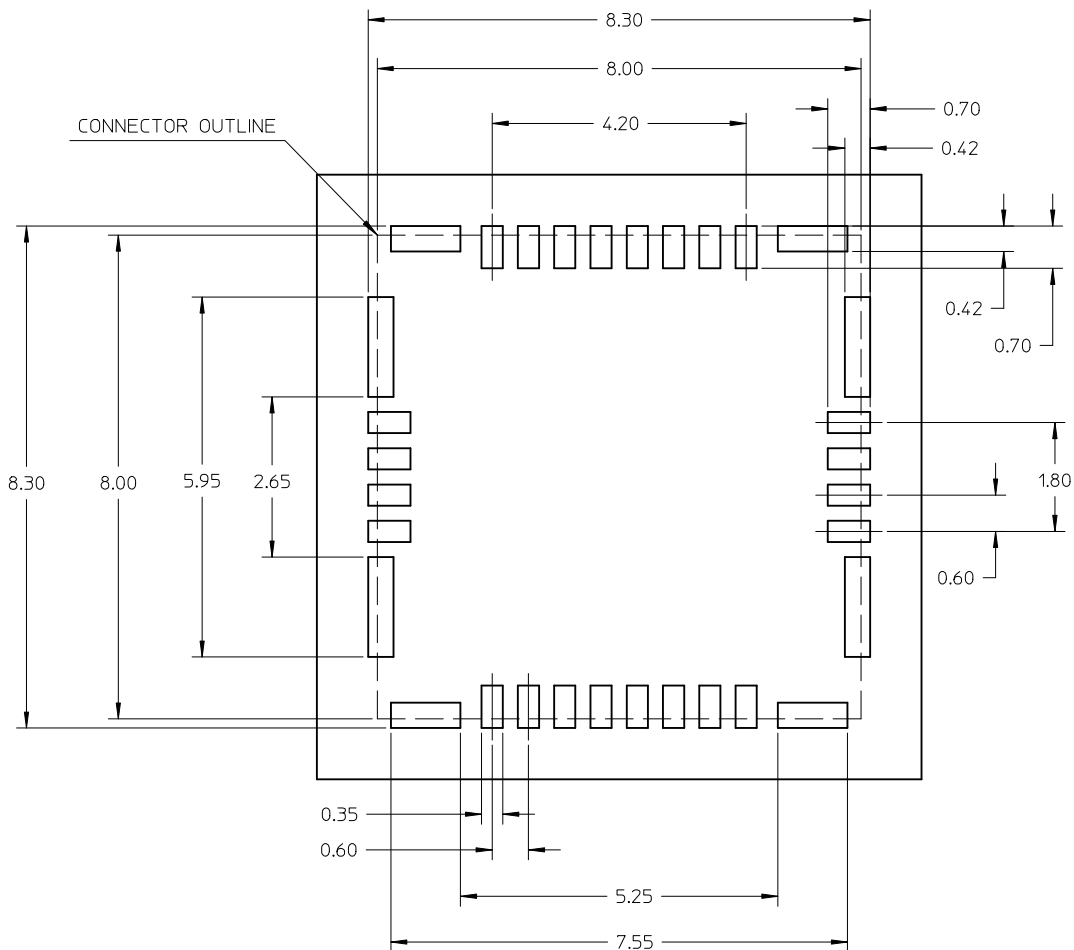
CORRECT GEN TOL EC NO: S2010-0926 DRW:DWLEED1 2010/04/23 CHKD:CGTAN 2009/06/30 APPR:SHLENI 2010/05/21	QUALITY SYMBOLS $\nabla_A=0$ $\nabla_C=0$ $\nabla_B=0$	GENERAL TOLERANCES (UNLESS SPECIFIED)		DIMENSION STYLE MM ONLY		SCALE NTS	DESIGN UNITS METRIC	THIRD ANGLE PROJECTION	
			mm	INCH	DRAWN BY CMTEO	DATE 2009/03/31	TITLE 6.5*6.5 CAMERA SOCKET SMT BOTTOM CONTACT TYPE		
			± ---	± ---	CHECKED BY CGTAN	DATE 2009/06/30	MOLEX INCORPORATED DOCUMENT NO. SD-78499-001 SHEET NO. 1 OF 4		
			± 0.15	± ---	APPROVED BY SHLENI	DATE 2010/05/21			
A2	REV	DRAFT WHERE APPLICABLE MUST REMAIN WITHIN DIMENSIONS		SIZE A3	THIS DRAWING CONTAINS INFORMATION THAT IS PROPRIETARY TO MOLEX INCORPORATED AND SHOULD NOT BE USED WITHOUT WRITTEN PERMISSION				



PART NO.	CAP CONFIGURATION	PACKAGING
78499-0001	WITH PICK AND PLACE CAP	TAPE AND REEL
78499-0002	WITHOUT PICK AND PLACE CAP	

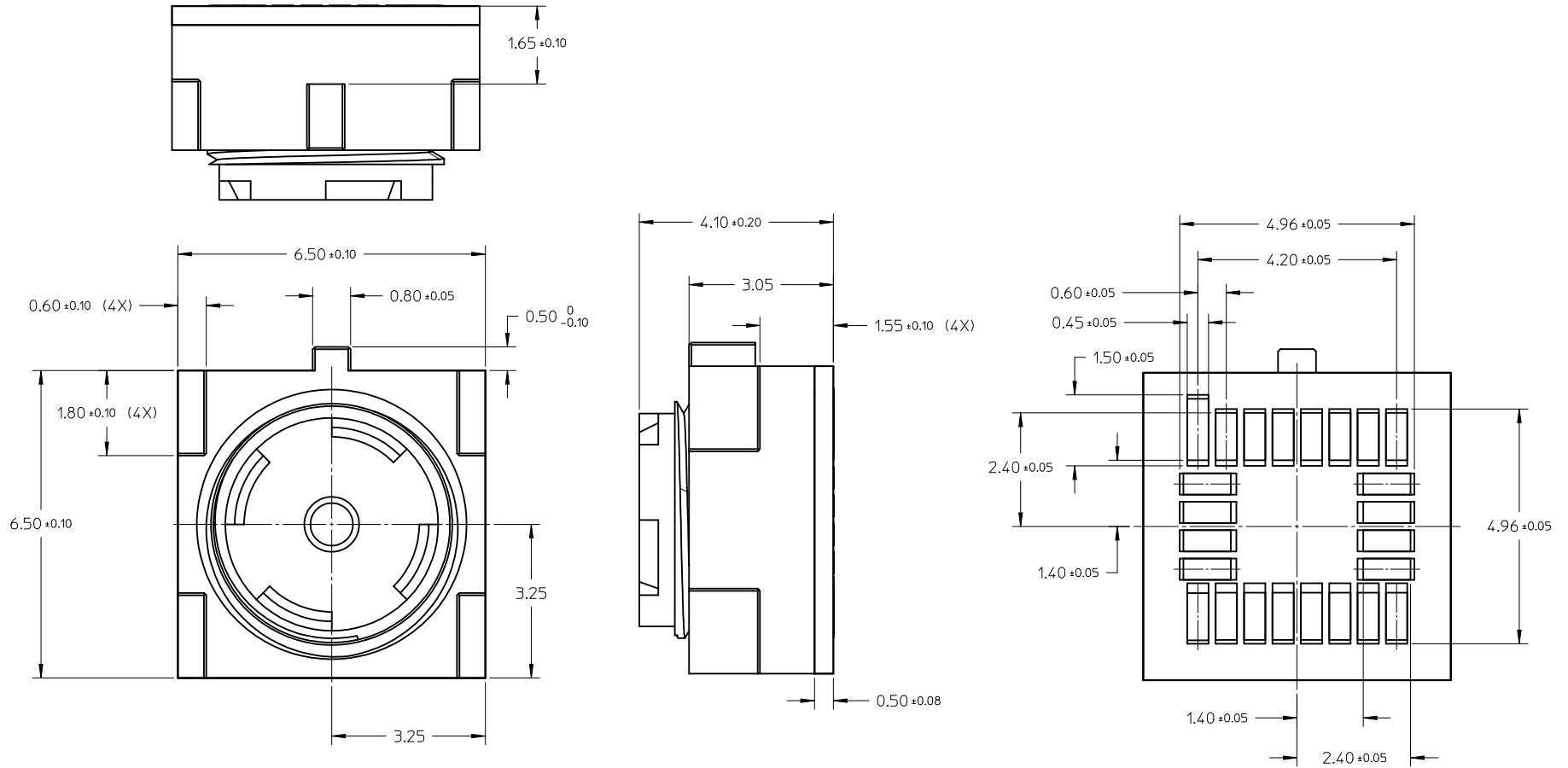
CORRECT GEN TOL EC NO: S2010-0926 DRW:DWLEED1 2010/04/23 CHKD:CGTAN 2009/06/30 APPR:SHLENI 2010/05/21	QUALITY SYMBOLS	GENERAL TOLERANCES (UNLESS SPECIFIED)	DIMENSION STYLE	SCALE	DESIGN UNITS	THIRD ANGLE PROJECTION															
	$\nabla_A = 0$ $\nabla_C = 0$ $\nabla_P = 0$	<table border="1"> <thead> <tr> <th></th> <th>mm</th> <th>INCH</th> </tr> </thead> <tbody> <tr> <td>4 PLACES</td> <td>± ---</td> <td>± ---</td> </tr> <tr> <td>3 PLACES</td> <td>± ---</td> <td>± ---</td> </tr> <tr> <td>2 PLACES</td> <td>± 0.15</td> <td>± ---</td> </tr> <tr> <td>1 PLACE</td> <td>± ---</td> <td>± ---</td> </tr> </tbody> </table>		mm	INCH	4 PLACES	± ---	± ---	3 PLACES	± ---	± ---	2 PLACES	± 0.15	± ---	1 PLACE	± ---	± ---	MM ONLY	NTS	METRIC	
		mm	INCH																		
	4 PLACES	± ---	± ---																		
3 PLACES	± ---	± ---																			
2 PLACES	± 0.15	± ---																			
1 PLACE	± ---	± ---																			
DESCRIPTION	DRAWN BY: CMTEO DATE: 2009/03/31 CHECKED BY: CGTAN DATE: 2009/06/30 APPROVED BY: SHLENI DATE: 2010/05/21	TITLE	6.5*6.5 CAMERA SOCKET SMT BOTTOM CONTACT TYPE																		
REV	MATERIAL NO. SEE TABLE DOCUMENT NO. SD-78499-001 SHEET NO. 2 OF 4	DRAFT WHERE APPLICABLE MUST REMAIN WITHIN DIMENSIONS	SIZE A3 THIS DRAWING CONTAINS INFORMATION THAT IS PROPRIETARY TO MOLEX INCORPORATED AND SHOULD NOT BE USED WITHOUT WRITTEN PERMISSION	MOLEX INCORPORATED																	

RECOMMENDED PCB LAYOUT



CORRECT GEN TOL EC NO: S2010-0926 DRW: DMLEED1 2010/04/23 CHKD: CGTAN 2009/06/30 APPR: SHLENI 2010/05/21	QUALITY SYMBOLS $F_A=0$ $F_G=0$ $F_P=0$	GENERAL TOLERANCES (UNLESS SPECIFIED) mm INCH 4 PLACES ± --- ± --- 3 PLACES ± --- ± --- 2 PLACES ± 0.15 ± --- 1 PLACE ± --- ± --- ANGULAR ± 1°	DIMENSION STYLE MM ONLY DRAWN BY: CMTEO DATE: 2009/03/31 CHECKED BY: CGTAN DATE: 2009/06/30 APPROVED BY: SHLENI DATE: 2010/05/21	SCALE: NTS DESIGN UNITS: METRIC THIRD ANGLE PROJECTION	TITLE: 6.5*6.5 CAMERA SOCKET SMT BOTTOM CONTACT TYPE
	DRAFT WHERE APPLICABLE MUST REMAIN WITHIN DIMENSIONS	MATERIAL NO.: SEE TABLE	MOLEX INCORPORATED	DOCUMENT NO.: SD-78499-001	SHEET NO.: 3 OF 4
	SIZE: A3	THIS DRAWING CONTAINS INFORMATION THAT IS PROPRIETARY TO MOLEX INCORPORATED AND SHOULD NOT BE USED WITHOUT WRITTEN PERMISSION			
	REV: A2				

APPLICABLE CAMERA MODULE



CORRECT GEN TOL EC NO: S2010-0926 DRW: DMLEE01 2010/04/23 CHKD: CGTAN 2009/06/30 APPR: SHLENI 2010/05/21	QUALITY SYMBOLS $\nabla_A = 0$ $\nabla_C = 0$ $\nabla_P = 0$	GENERAL TOLERANCES (UNLESS SPECIFIED)		DIMENSION STYLE	SCALE	DESIGN UNITS	THIRD ANGLE PROJECTION	
				MM ONLY	NTS	METRIC	TITLE 6.5*6.5 CAMERA SOCKET SMT BOTTOM CONTACT TYPE	
				mm	INCH			
						DRAWN BY	DATE	MOLEX INCORPORATED DOCUMENT NO. SD-78499-001 SHEET NO. 4 OF 4
				CHECKED BY	DATE			
				APPROVED BY	DATE			
				MATERIAL NO.				
		ANGULAR ± 1 °		SEE TABLE				
		DRAFT WHERE APPLICABLE MUST REMAIN WITHIN DIMENSIONS		THIS DRAWING CONTAINS INFORMATION THAT IS PROPRIETARY TO MOLEX INCORPORATED AND SHOULD NOT BE USED WITHOUT WRITTEN PERMISSION				