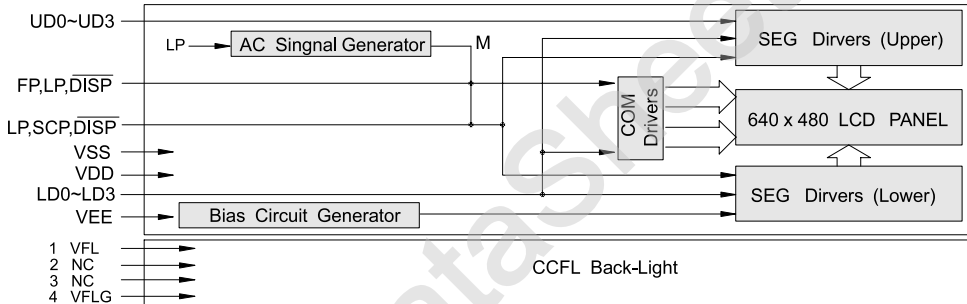
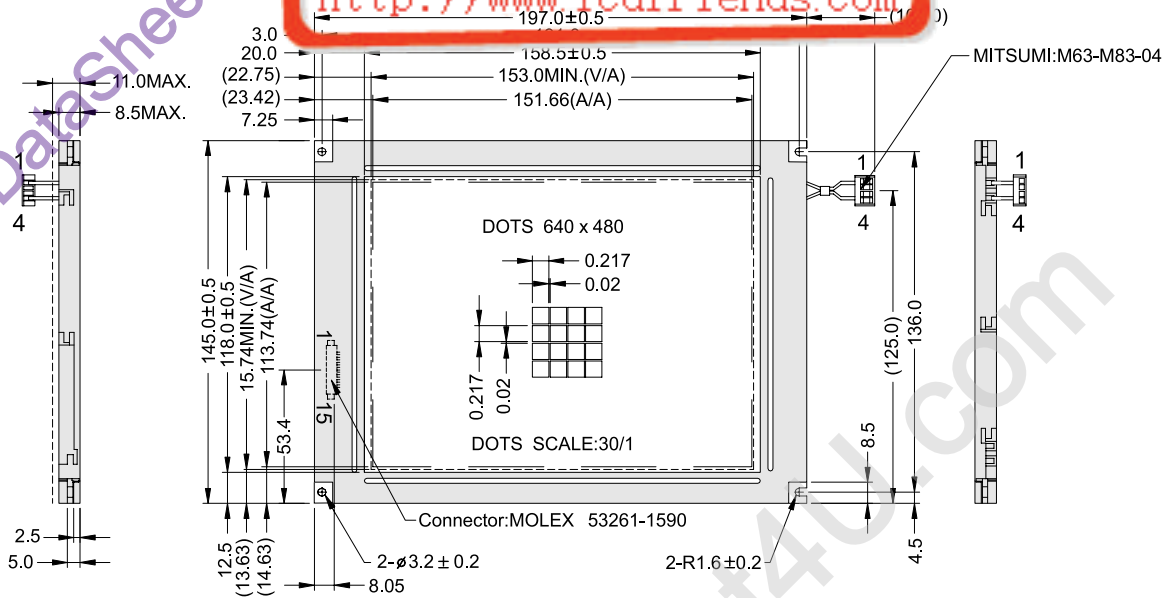


液晶之友 电话: 020-33819057  
[Http://www.lcdfriends.com](http://www.lcdfriends.com)

### OUTLINE DIMENSION & BLOCK DIAGRAM



The tolerance unless classified  $\pm 0.3\text{mm}$

MECHANICAL SPECIFICATION			
Overall Size	197.0 x 145.0	Module	H2 / H1
View Area	153.0 x 115.7	W / O B/L	- / -
Dot Size	0.217 x 0.217	EL B/L	- / -
Dot Pitch	0.237 x 0.237	CCFL B/L	8.5 / 11.0

PIN ASSIGNMENT		
Pin no.	Symbol	Function
1	FLM	Shift direction select
2	CL1	Display data input clock
3	CL2	Display data input clock
4	DISPOFF	"H":Display ON; "L":Display OFF
5	Vdd	Power supply (+)
6	Vss	Power supply (-)
7	Vee	Contrast adjust
8~11	UD0~UD3	Upper screen display data
12~15	LD0~LD3	Lower screen display data

ABSOLUTE MAXIMUM RATING							
Item	Symbol	Condition	Min.	Max.	Units		
Supply for logic voltage	Vdd-Vss	25°C	-0.3	6.0	V		
LCD driving supply voltage	Vdd-Vee	25°C	0	45.0	V		
Input voltage	Vin	25°C	-0.3	Vdd+0.3	V		
ELECTRICAL CHARACTERISTICS							
Item	Symbol	Condition	Min.	Typical	Max.	Units	
Power supply voltage	Vdd-Vss	25°C	3	-	5.5	V	
LCD operation voltage	Vop	Top	N	W	N	W	V
		-20°C	-	-	-	-	V
		0°C	-	-	23.5	-	V
		25°C	-	-	22.3	-	V
		50°C	-	-	20.5	-	V
		70°C	-	-	-	-	V
LCM current consumption (No B/L)	Idd	Vdd=5V	-	3	-	mA	
Backlight current consumption	LED/edge	VB/L=4.2V	-	-	-	mA	
	LED/array	VB/L=4.2V	-	-	-	mA	