

■ Features :

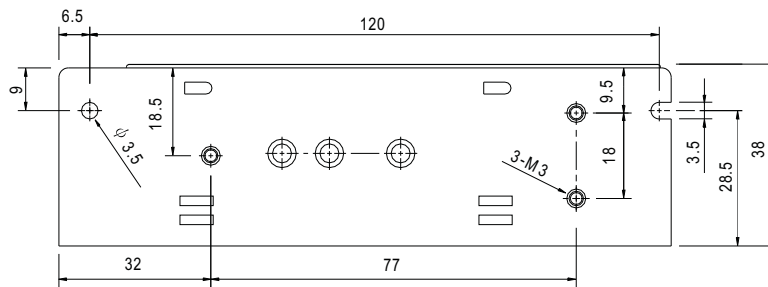
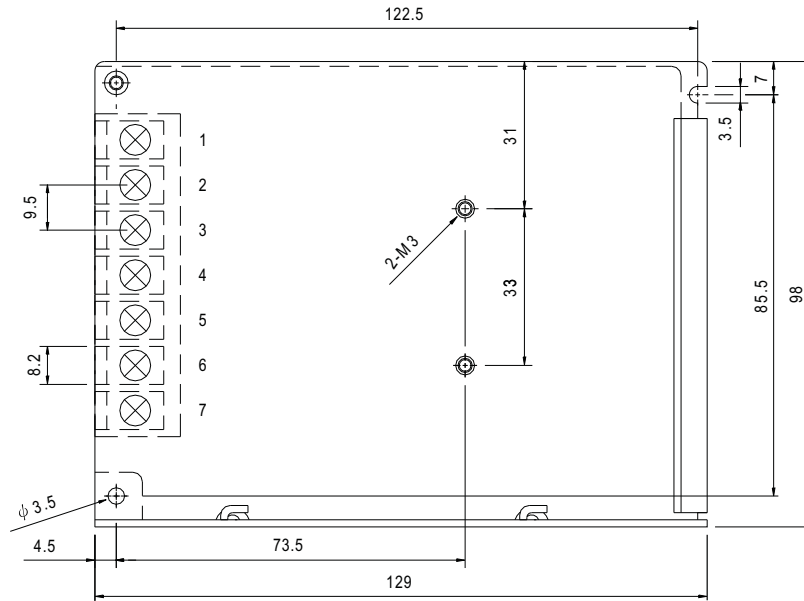
- AC input range selected by switch
- Protections: Short circuit/Over load
- Cooling by free air convection
- LED indicator for power on
- Fixed switching frequency at 23KHz
- 1 year warranty

## SPECIFICATION

| MODEL                      |  | D-30A  |              | D-30B             |          |
|----------------------------|--|--|--------------|-------------------|----------|
| OUTPUT                     | DC VOLTAGE   | 5V   | 12V          | 5V                | 24V      |
|                            | RATED CURRENT  | 4A   | 1A           | 2.2A              | 1A       |
|                            | CURRENT RANGE  | 0.5 ~ 4A   | 0.1 ~ 1A     | 0.5 ~ 4A          | 0.1 ~ 1A |
|                            | RATED POWER  | 32W  |              | 35W               |          |
|                            | RIPPLE & NOISE (max.) Note.2   | 50mVp-p  | 100mVp-p     | 50mVp-p           | 100mVp-p |
|                            | VOLTAGE ADJ. RANGE   | CH1 : 4.75 ~ 5.5V  |              | CH1 : 4.75 ~ 5.5V |          |
|                            | VOLTAGE TOLERANCE Note.3   | ±2.0%  | + 3,-7%      | ±2%               | + 3,-5%  |
|                            | LINE REGULATION  | ±0.5%  | ±1.0%        | ±0.5%             | ±1.0%    |
|                            | LOAD REGULATION  | ±0.5%  | ±4.0%        | ±0.5%             | ±4.0%    |
| SETUP, RISE, HOLD TIME     | 200ms, 50ms, 30ms at full load   |  |              |                   |          |
| INPUT                      | VOLTAGE RANGE  | 85 ~ 132VAC / 170 ~ 264VAC selected by switch  |              | 240 ~ 370VDC      |          |
|                            | FREQUENCY RANGE  | 47 ~ 63Hz  |              |                   |          |
|                            | EFFICIENCY(Typ.)   | 72%  |              | 74%               |          |
|                            | AC CURRENT   | 0.8A/115VAC  | 0.45A/230VAC |                   |          |
|                            | INRUSH CURRENT(max.)   | COLD START 18A/115VAC  | 36A/230VAC   |                   |          |
|                            | LEAKAGE CURRENT  | <1mA / 240VAC  |              |                   |          |
| PROTECTION                 | OVER LOAD  | 105 ~ 150% rated output power  |              |                   |          |
|                            |  | Protection type : Fold back current limiting, recovers automatically after fault condition is removed. |              |                   |          |
| ENVIRONMENT                | WORKING TEMP.  | -10 ~ +60°C (Refer to output load derating curve)  |              |                   |          |
|                            | WORKING HUMIDITY   | 20 ~ 90% RH non-condensing   |              |                   |          |
|                            | STORAGE TEMP., HUMIDITY  | -20 ~ +85°C, 10 ~ 95% RH   |              |                   |          |
|                            | TEMP. COEFFICIENT  | ±0.03%/°C (0 ~ 50°C)   |              |                   |          |
|                            | VIBRATION  | 10 ~ 500Hz, 2G 10min./1cycle, period for 60min. each along X, Y, Z axes                                |              |                   |          |
| SAFETY & EMC               | SAFETY STANDARDS   | Design refer to UL1012   |              |                   |          |
|                            | WITHSTAND VOLTAGE  | I/P-O/P:1.5KVAC I/P-FG:1.5KVAC O/P-FG:0.5KVAC  |              |                   |          |
|                            | ISOLATION RESISTANCE   | I/P-O/P, I/P-FG, O/P-FG:100M Ohms/500VDC   |              |                   |          |
| EMI CONDUCTION & RADIATION |  | Design refer to FCC Part15 J Conduction  |              |                   |          |
| OTHERS                     | MTBF   | 417.6K hrs min. MIL-HDBK-217F (25°C)   |              |                   |          |
|                            | DIMENSION  | 129*98*38mm (L*W*H)  |              |                   |          |
|                            | PACKING  | 0.41Kg; 30pcs/13.4Kg/0.86CUFT  |              |                   |          |
| NOTE                       | <p>1. All parameters NOT specially mentioned are measured at 230VAC input, rated load and 25°C of ambient temperature.</p> <p>2. Ripple &amp; noise are measured at 20MHz of bandwidth by using a 12" twisted pair-wire terminated with a 0.1uf &amp; 47uf parallel capacitor.</p> <p>3. Tolerance : includes set up tolerance, line regulation and load regulation.</p> |  |              |                   |          |

■ Mechanical Specification

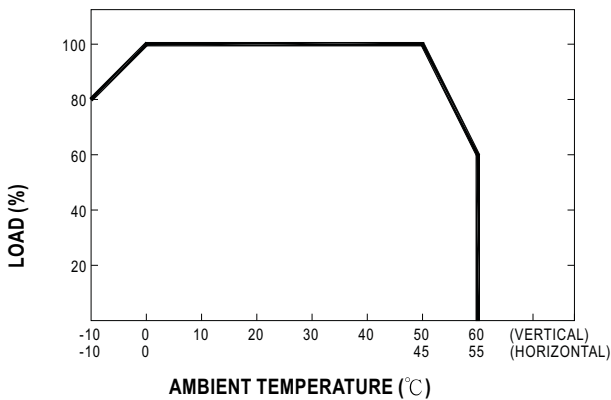
Case No. 903 Unit:mm



Terminal Pin. No Assignment

| Pin No. | Assignment | Pin No. | Assignment    | Pin No. | Assignment    |
|---------|------------|---------|---------------|---------|---------------|
| 1       | AC/L       | 4       | DC OUTPUT COM | 7       | DC OUTPUT +V1 |
| 2       | AC/N       | 5       | DC OUTPUT +V2 |         |               |
| 3       | FG $\perp$ | 6       | DC OUTPUT COM |         |               |

■ Output Derating



■ Static Characteristics (B)

