

PLEASE CHECK WWW.MOLEX.COM FOR LATEST PART INFORMATION

Part Number: [0019092122](#)
Status: **Active**
Overview: [standard_093](#)
Description: 2.36mm (.093") Diameter, .093" Pin and Socket Plug Housing with Positive Latch, 12 Circuits, 3 Rows, Panel Mount

Documents:

3D Model	Product Specification PS-02-09 (PDF)
Packaging Specification (PDF)	RoHS Certificate of Compliance (PDF)
Drawing (PDF)	

Agency Certification

CSA	LR19980
TUV	R95725
UL	E29179

General

Product Family	Crimp Housings
Series	1991
Comments	Polarized to Mating Part
Overview	standard_093
Product Name	Standard .093"

Physical

Breakaway	No
Circuits (maximum)	12
Circuits Detail	3x4
Color - Resin	Natural
Flammability	94V-2
Gender	Female
Glow-Wire Compliant	No
Keying to Mating Part	None
Lock to Mating Part	Yes
Material - Resin	Nylon
Number of Rows	3
Packaging Type	Bag
Panel Mount	Yes
Pitch - Mating Interface (in)	0.248 In
Pitch - Mating Interface (mm)	6.30 mm
Polarized to Mating Part	Yes
Stackable	No
Temperature Range - Operating	-40°C to +105°C

Electrical

Current - Maximum per Contact	7.5A
-------------------------------	------

Material Info

Old Part Number	1991-12P2
-----------------	-----------

Reference - Drawing Numbers

Packaging Specification	PK-1991-002
Product Specification	PS-02-09
Sales Drawing	SD-1991-12*

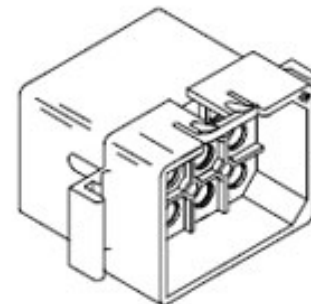


image - Reference only

Series

EU RoHS

ELV and RoHS Compliant
REACH SVHC Not Reviewed
Halogen-Free Status Not Reviewed

China RoHS



Need more information on product environmental compliance?

Email productcompliance@molex.com
 For a multiple part number RoHS Certificate of Compliance, [click here](#)

Please visit the [Contact Us](#) section for any non-product compliance questions.

Search Parts in this Series

[1991Series](#)

Mates With

[19-09-1121](#) Receptacle, [19-09-1122](#) Receptacle

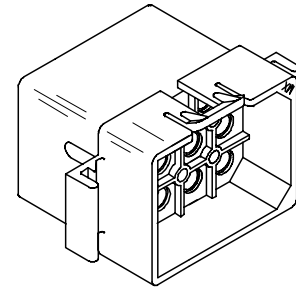
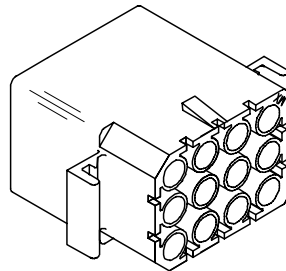
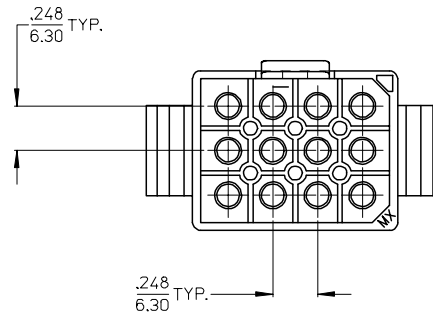
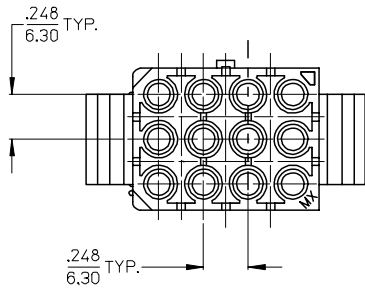
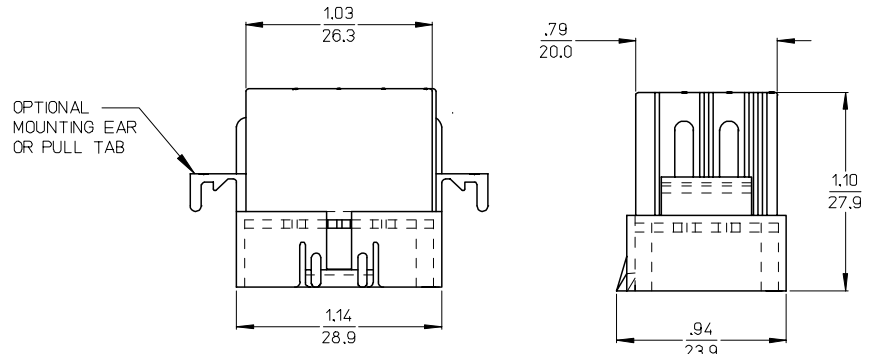
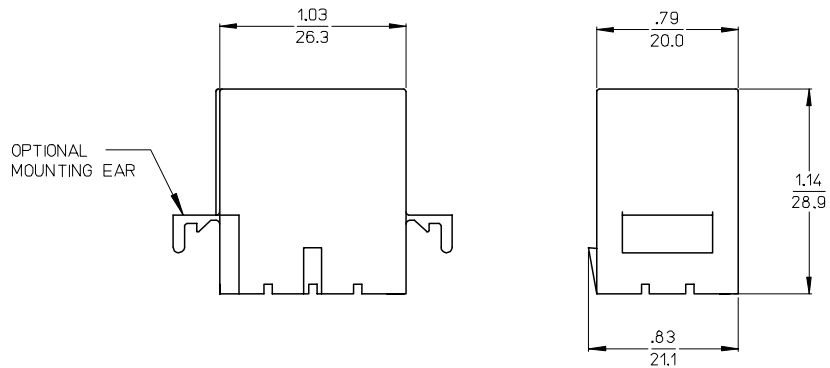
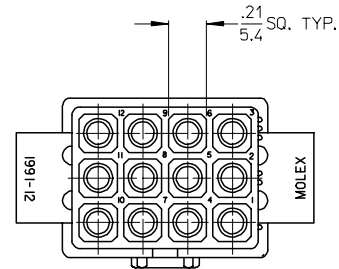
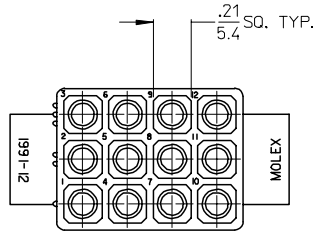
Use With

[1189](#) Crimp Terminals, [1190](#) Crimp Terminals, [1380](#) Male Crimp Terminals, [1381](#) Female Crimp Terminals, [1433](#) Crimp Terminals, [1434](#) Male Crimp Terminals, [1973](#) , [2151](#) , [2273](#) , [2870](#) , [2871](#) , [4272](#) , [4550](#) , [6271](#) , Lin

PLEASE CHECK WWW.MOLEX.COM FOR LATEST PART INFORMATION

RECEPTACLE

PLUG



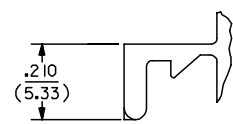
2	E
1	E
SHT., REV.	

UPDATE TITLE BLOCK FC NO: UCP2007-1498 DRWNA:ELHAG 2007/04/04 CHKD:ALHAG 2007/04/04 APPR:FSM TH 2007/04/04 REV DESCRIPTION	QUALITY SYMBOLS ▽=0 ▽=0	GENERAL TOLERANCES (UNLESS SPECIFIED) <table border="1"> <tr> <th></th> <th>mm</th> <th>INCH</th> </tr> <tr> <td>4 PLACES</td> <td>± .10</td> <td>± .004</td> </tr> <tr> <td>3 PLACES</td> <td>± .12</td> <td>± .005</td> </tr> <tr> <td>2 PLACES</td> <td>± 0.25</td> <td>± .010</td> </tr> <tr> <td>1 PLACE</td> <td>± 0.35</td> <td>± .015</td> </tr> </table> ANGULAR ±1/2°		mm	INCH	4 PLACES	± .10	± .004	3 PLACES	± .12	± .005	2 PLACES	± 0.25	± .010	1 PLACE	± 0.35	± .015	DIMENSION STYLE IN/MM	SCALE 2:1	DESIGN UNITS INCH	THIRD ANGLE PROJECTION
		mm	INCH																		
	4 PLACES	± .10	± .004																		
	3 PLACES	± .12	± .005																		
2 PLACES	± 0.25	± .010																			
1 PLACE	± 0.35	± .015																			
DRAWN BY KBW	DATE 1989/04/25	CHECKED BY RW	DATE 1989/04/25	APPROVED BY RAS	DATE 1989/04/25	MATERIAL NO. SEE CHART															
DRAFT WHERE APPLICABLE MUST REMAIN WITHIN DIMENSIONS		SIZE C	DOCUMENT NO. SD-1991-12*	SHEET NO. 1 OF 2	TITLE .093/(2.36) HOUSINGS PLUG & RECEPTACLE 12 CKT .248/(6.30) CENTERS MOLEX INCORPORATED																
THIS DRAWING CONTAINS INFORMATION THAT IS PROPRIETARY TO MOLEX INCORPORATED AND SHOULD NOT BE USED WITHOUT WRITTEN PERMISSION																					

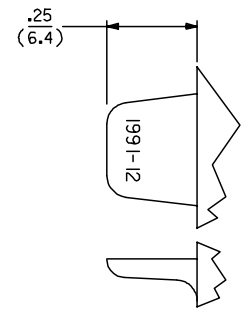
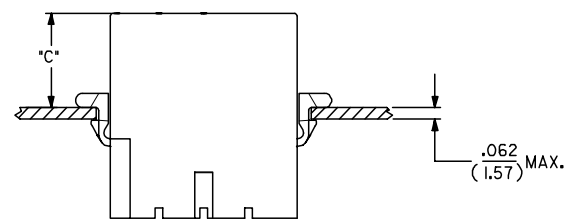
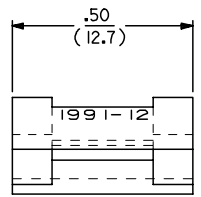
13 12 11 10 9 8 7 6 5 4 3 2 1

PLUG		
ORDER NO	ENG NO	PKG. INFORMATION
I9 -09-2 I21	I991-12P	PK-1991-001
I9 -09-2 I22	I991-12P2	PK-1991-002
I9 -09-7 I21	I991-12PBK	PK-1991-001
-	-	-
-	-	-

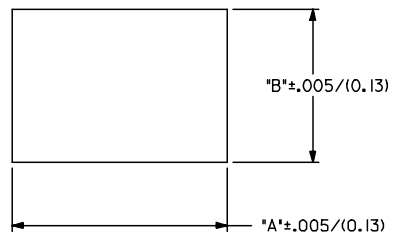
RECEPTACLE		
ORDER NO	ENG NO	PKG. INFORMATION
I9 -09-1 I21	I991-12R2	PK-1991-001
I9 -09-1 I22	I991-12R1	PK-1991-002
I9 -09-6 I21	I991-12R2BK	PK-1991-001
I9 -09-6 I22	I991-12R1BK	PK-1991-001
-	-	-
-	-	-



DETAIL A
STANDARD MOUNTING EAR
(SCALE 4:1)

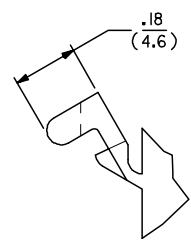


DETAIL C
PULL TAB
(SCALE 4:1)



RECOMMENDED PANEL OPENING

HOUSING	DIM. "A"	DIM. "B"	"C" PREBENT EAR	"C" STANDARD EAR
PLUG	1.300/(33.02)	.910/(23.11)	.31/(7.9)	.30/(7.6)
RECEPT.	1.194/(30.33)	.850/(21.60)	.54/(13.7)	.53/(13.5)



DETAIL B
PREBENT MOUNTING EAR
(SCALE 4:1)

LEGEND:

I991-12****

CIRCUIT SIZE →

P = PLUG
R = RECEPTACLE

BLANK = WITH PULL TABS
1 = WITHOUT EARS/WITHOUT PULL TABS
2 = WITH STANDARD EARS
3 = WITH PREBENT EARS

COLOR: _____

BLANK = NATURAL COLOR
AM = AMBER BK = BLACK BU = BLUE
BN = BROWN GY = GRAY GN = GREEN
OR = ORANGE RD = RED YW = YELLOW

- NOTES:**
1. MATERIAL: NYLON TYPE 6/6, 94V-2 PER E.S.-128A-x.
 2. FINISH: N/A
 3. PRODUCT SPECIFICATION: PS-02-09
 4. PACKAGING INFORMATION: SEE CHART
 5. HOUSINGS FOR USE WITH MOLEX STANDARD .093/(2.36) TYPE TERMINALS.
 6. PARTS CONFORM TO CLASS B REQUIREMENTS OF COSMETIC SPECIFICATION PS-45499-002.

ADD NOTES 2,4 & 6 EC NO: UCP2007-1498 DRAWN: AELHAG 2007/04/04 CHKD: AELHAG 2007/04/04 APPR: FSM TH 2007/04/04 REVISIONS	QUALITY SYMBOLS ▽=0 ▽=0	GENERAL TOLERANCES (UNLESS SPECIFIED) <table border="1"> <tr> <th></th> <th>mm</th> <th>INCH</th> </tr> <tr> <td>4 PLACES ±</td> <td>---</td> <td>---</td> </tr> <tr> <td>3 PLACES ±</td> <td>---</td> <td>±.010</td> </tr> <tr> <td>2 PLACES ±</td> <td>0.25</td> <td>±.014</td> </tr> <tr> <td>1 PLACE ±</td> <td>0.35</td> <td>---</td> </tr> <tr> <td colspan="3">ANGULAR ±1/2°</td> </tr> </table>		mm	INCH	4 PLACES ±	---	---	3 PLACES ±	---	±.010	2 PLACES ±	0.25	±.014	1 PLACE ±	0.35	---	ANGULAR ±1/2°			DIMENSION STYLE IN/MM	SCALE 2:1 DESIGN UNITS INCH THIRD ANGLE PROJECTION
		mm	INCH																			
	4 PLACES ±	---	---																			
	3 PLACES ±	---	±.010																			
2 PLACES ±	0.25	±.014																				
1 PLACE ±	0.35	---																				
ANGULAR ±1/2°																						
DRAWN BY KBW DATE 1989/04/25 CHECKED BY RW DATE 1989/04/25 APPROVED BY RAS DATE 1989/04/25		TITLE .093/(2.36) HOUSINGS PLUG & RECEPTACLE 12 CKT .248/(6.30) CENTERS																				
MATERIAL NO. SEE CHART DIMENSIONAL REQUIREMENTS MUST REMAIN WITHIN DIMENSIONS		MOLEX MOLEX INCORPORATED DOCUMENT NO. SD-1991-12* SHEET NO. 2 OF 2																				
THIS DRAWING CONTAINS INFORMATION THAT IS PROPRIETARY TO MOLEX INCORPORATED AND SHOULD NOT BE USED WITHOUT WRITTEN PERMISSION																						

12 11 10 9 8 7 6 5 4 3 2 1