

**P/N: 12PS1142X DATE SHEET****Feature**

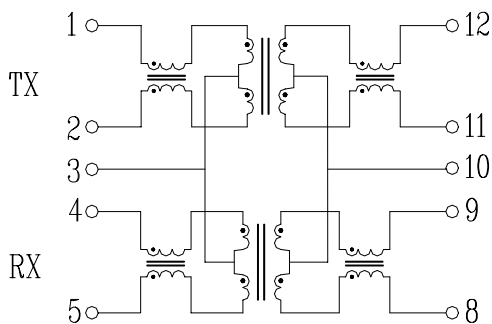
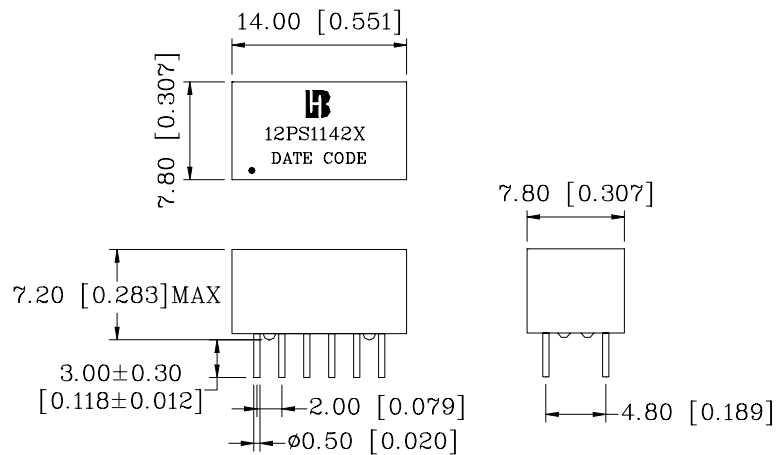
- Designed to meet IEEE 802.3u requirement including 350uH OCL with 8mA bias.
- Operating temperature range: 0 to +70 .
- Storage temperature range: -25 to +125 .

Electrical Specifications @ 25°C

Part Number	Turns Ratio		OCL(uH Min) @ 100KHz/0.1V with 8mA DC Bias	C _{ww} (pF Max)	L.L (uH Max)	DCR (Max)	HI-POT (Vrms)
	TX	RX					
12PS1142X	1CT:1CT	1CT:1CT	350	56	0.5	1.1	1500

Continue

Part Number	Insertion Loss (dB Max)	Return Loss (dB Min)				Cross talk (dB Min)		DCMR (dB Min)		
		0.3-100 MHz	0.3-30MHz	40MHz	50MHz	60-80MHz	0.3-60MHz	60-100MHz	30MHz	60MHz
12PS1142X	-1.1	-18	-15.5	-13	-12	-45	-35	-40	-35	-30

Schematic**Mechanical**

Units: mm[Inches] Tolerances: xx.x0±0.25[0.010]
0.xx±0.05[0.002]