

PLEASE CHECK WWW.MOLEX.COM FOR LATEST PART INFORMATION

Part Number: [0440500009](#)
Status: **Active**
Overview: [modular_plugs_jacks](#)
Description: Modular Jack, Right Angle, Low Profile, 8/8

Documents:

[3D Model](#) [Product Specification PS-44050-003 \(PDF\)](#)
[Drawing \(PDF\)](#) [RoHS Certificate of Compliance \(PDF\)](#)

Agency Certification

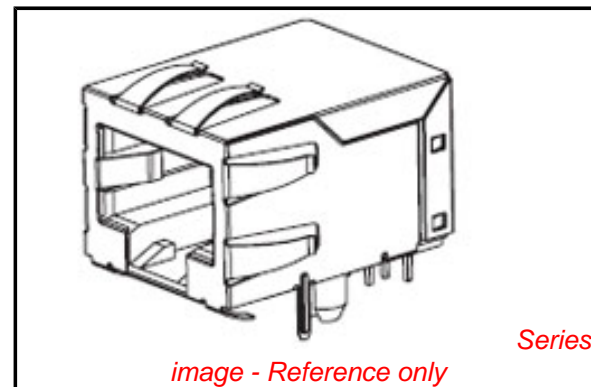
CSA LR19980
 UL E107635

General

Product Family Modular Jacks/Plugs
 Series [44050](#)
 Component Type PCB Jack
 Magnetic No
 Overview [modular_plugs_jacks](#)
 Performance Category 5
 Power over Ethernet (PoE) N/A
 Product Name RJ45

Physical

Boot Color N/A
 Color - Resin Black
 Durability (mating cycles max) 500
 Flammability 94V-0
 Inverted / Top Latch No
 Lightpipes/LEDs None
 Material - Metal Phosphor Bronze
 Material - Plating Mating Gold
 Material - Plating Termination Tin
 Material - Resin High Temperature Thermoplastic
 Orientation Right Angle (Side Entry)
 PCB Locator Yes
 PCB Retention Yes
 PCB Thickness Recommended (in) 0.062 In
 PCB Thickness Recommended (mm) 1.57 mm
 Packaging Type Tray
 Pitch - Mating Interface (in) 0.040 In
 Pitch - Mating Interface (mm) 1.02 mm
 Pitch - Term. Interface (in) 0.050 In
 Pitch - Term. Interface (mm) 1.27 mm
 Plating min: Mating (µin) 50
 Plating min: Mating (µm) 1.25
 Plating min: Termination (µin) 100
 Plating min: Termination (µm) 2.5
 Ports 1
 Positions / Loaded Contacts 8/8
 Surface Mount Compatible (SMC) Yes
 Temperature Range - Operating -40°C to +85°C
 Termination Interface: Style Through Hole
 Waterproof / Dustproof No
 Wire/Cable Type N/A



EU RoHS

**ELV and RoHS
 Compliant**
REACH SVHC
 Not Reviewed
**Halogen-Free
 Status**
Not Reviewed

China RoHS



**Need more information on product
 environmental compliance?**

Email productcompliance@molex.com
 For a multiple part number RoHS Certificate of
 Compliance, [click here](#)

Please visit the [Contact Us](#) section for any
 non-product compliance questions.

Search Parts in this Series

[44050Series](#)

Mates With

FCC 68 Plugs

Electrical

Current - Maximum per Contact	1.5A
Grounding to Panel	Location E, With Offset Panel Grounding Ta
Shielded	Yes
Voltage - Maximum	150V AC (RMS)

Solder Process Data

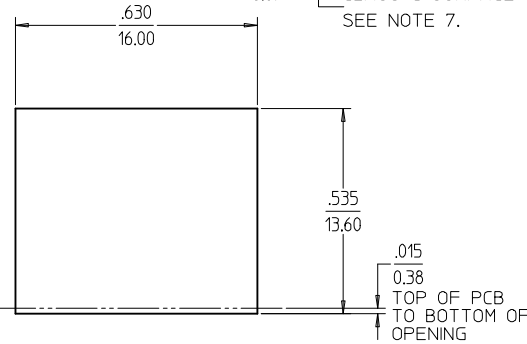
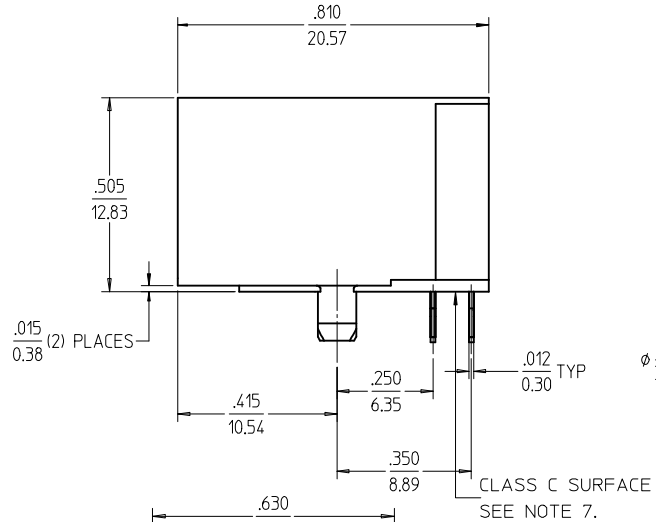
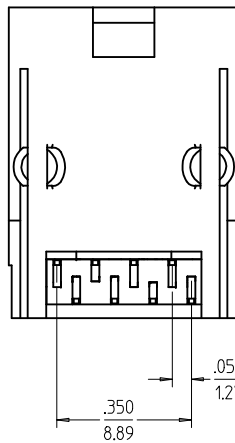
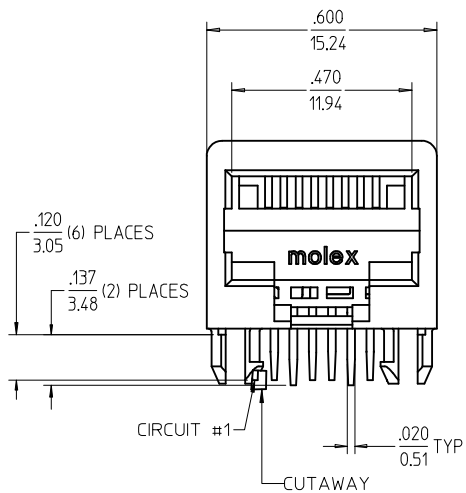
Lead-free Process Capability	Wave Capable (TH only)
------------------------------	------------------------

Material Info**Reference - Drawing Numbers**

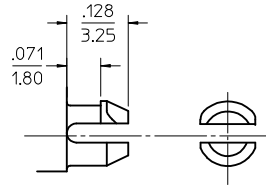
Packaging Specification	PK-44050-004
Product Specification	PS-44050-003
Sales Drawing	SD-44050-002
Test Summary	TS-44050-001

This document was generated on 06/07/2010

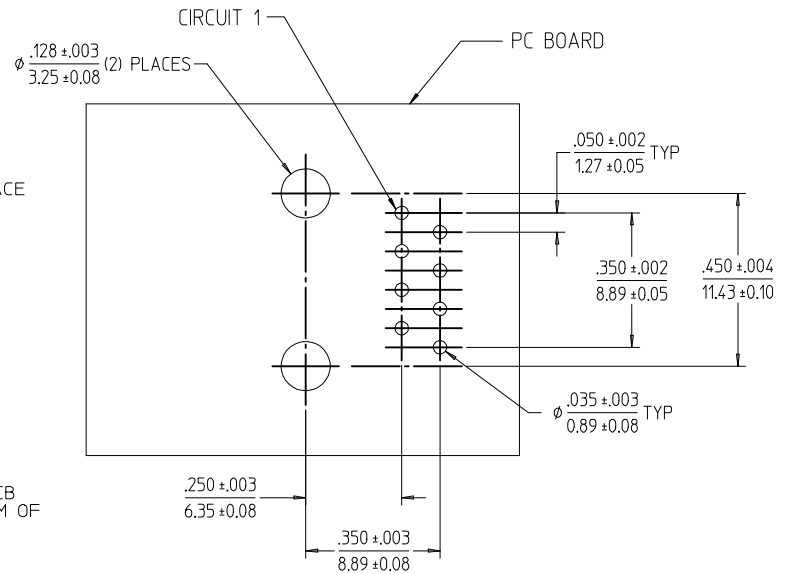
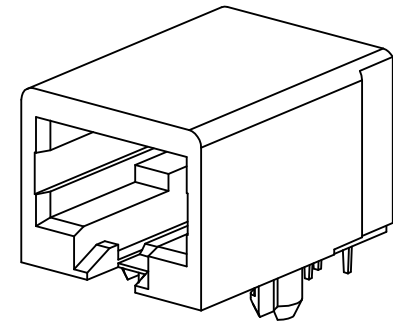
PLEASE CHECK WWW.MOLEX.COM FOR LATEST PART INFORMATION



RECOMMENDED PANEL
OPENING



SNAP-FIT PEG
SCALE: NTS



PCB LAYOUT: COMPONENT SIDE
RECOMMENDED PCB THICKNESS: .062/1.57

NOTES:

- 1) MATERIAL:
HOUSING: NYLON(PA), GLASS FILLED, UL94V-0. COLOR: BLACK
TERMINALS: PHOSPHOR BRONZE
- 2) FINISH:
TERMINALS:
SELECT GOLD IN CONTACT AREA: 50 MICROINCHES / 1.27 MICROMETERS MIN.
SELECT MATTE TIN IN PC TAIL AREA: 100 MICROINCHES / 2.54 MICROMETERS MIN.
WITH OVERALL NICKEL UNDERPLATE: 50 MICROINCHES / 1.27 MICROMETERS MIN.
- 3) PRODUCT SPECIFICATION AND PROCESSING PARAMETERS: PS-44050-003.
- 4) PACKAGING SPECIFICATION:
CONNECTOR ASSEMBLIES IN THERMOFORMED TRAYS PER MOLEX PACKAGING SPECIFICATION PK-44050-004.
- 5) MATES WITH: MODULAR PLUGS THAT CONFORM TO FCC REGULATION PART 68.5.
- 6) TERMINAL LENGTHS MAY BE DIFFERENT FROM TERMINAL TO TERMINAL.
- 7) THIS PART CONFORMS TO CLASS B REQUIREMENTS OF COSMETIC SPECIFICATION PS-45499-002 WITH THE EXCEPTION OF THE SURFACE INDICATED, WHICH IS A CLASS C SURFACE.

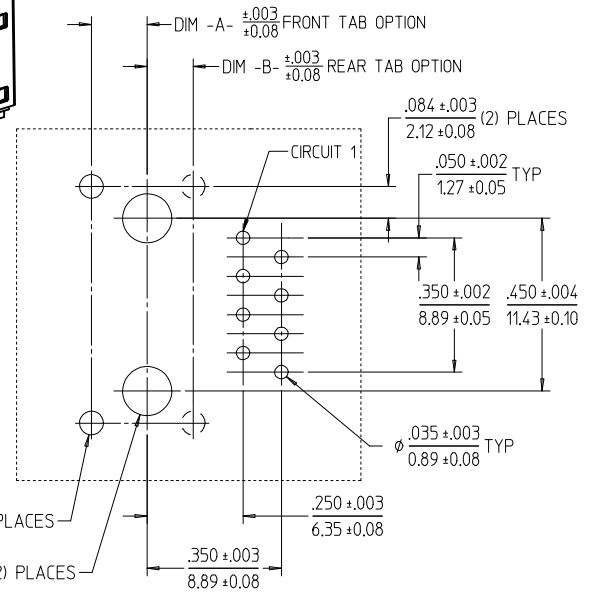
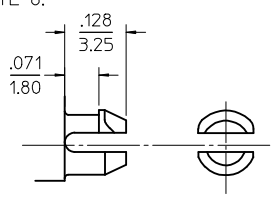
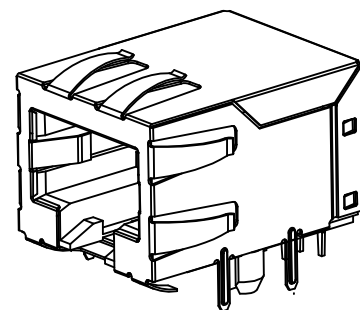
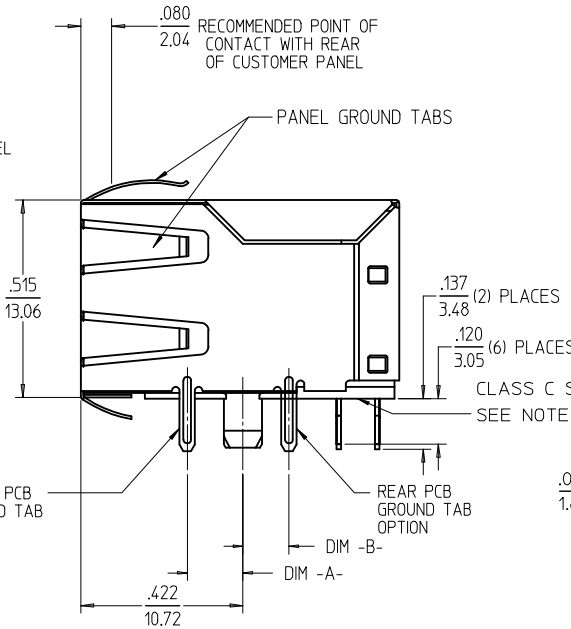
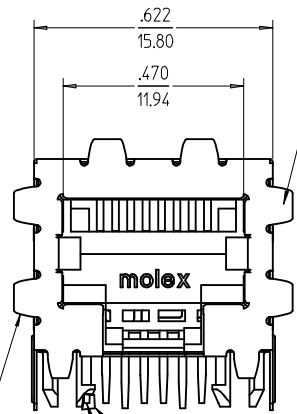
MODIFY NOTE 2	DESCRIPTION
REV	DESCRIPTION
E2	

QUALITY SYMBOLS	DESCRIPTION
▽=0	
▽=0	

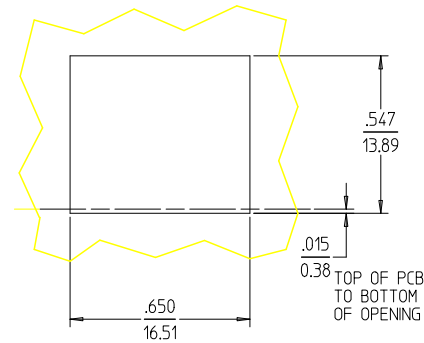
GENERAL TOLERANCES (UNLESS SPECIFIED)	
mm	INCH
4 PLACES ± .010	± .010
3 PLACES ± .015	± .010
2 PLACES ± 0.25	± .010
1 PLACE ± .010	± .010
ANGULAR ± 1/2°	
DRAFT WHERE APPLICABLE MUST REMAIN WITHIN DIMENSIONS	

DIMENSION STYLE		SCALE	DESIGN UNITS	THIRD ANGLE PROJECTION
IN/MM		4:1	INCH	
DRAWN BY	DATE	TITLE		
MARANTO	98/04/06	CATEGORY 5E MODULAR JACK ASSEMBLIES, SINGLE PORT		
CHECKED BY	DATE	MATERIAL NO.		
ROBERTS	98/04/06	440500001		
APPROVED BY	DATE	DOCUMENT NO.		
ROBERTS	98/04/06	SD-44050-002		
MATERIAL NO.		DOCUMENT NO.		SHEET NO.
440500001		SD-44050-002		1 OF 2
SIZE THIS DRAWING CONTAINS INFORMATION THAT IS PROPRIETARY TO MOLEX INCORPORATED AND SHOULD NOT BE USED WITHOUT WRITTEN PERMISSION				

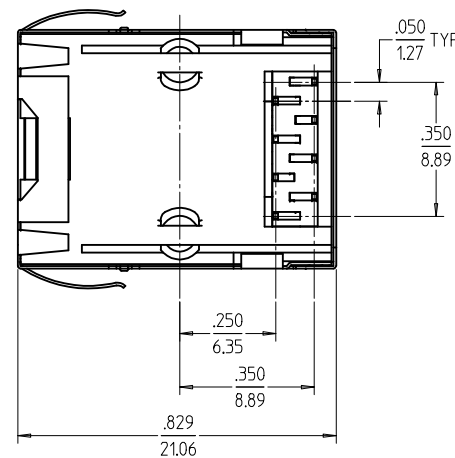
MATERIAL NO.		DOCUMENT NO.		SHEET NO.
440500001		SD-44050-002		1 OF 2
THIS DRAWING CONTAINS INFORMATION THAT IS PROPRIETARY TO MOLEX INCORPORATED AND SHOULD NOT BE USED WITHOUT WRITTEN PERMISSION				



PCB LAYOUT: COMPONENT SIDE
RECOMMENDED PCB THICKNESS: .062/1.57



RECOMMENDED PANEL OPENING (SHIELDED VERSIONS)



- NOTES:
- MATERIAL: HOUSING: NYLON(IPA), GLASS FILLED, UL94V-0, COLOR: BLACK; TERMINALS: PHOSPHOR BRONZE; SHIELD: BRASS
 - FINISH: TERMINALS: SELECT GOLD IN CONTACT AREA: 50 MICROINCHES / 1.27 MICROMETERS MIN., *SELECT TIN IN PC TAIL AREA: 100 MICROINCHES / 2.54 MICROMETERS MIN., WITH OVERALL NICKEL UNDERPLATE: 50 MICROINCHES / 1.27 MICROMETERS MIN. SHIELD: *100 MICROINCHES / 2.54 MICROMETERS NICKEL OVER 50 MICROINCHES / 1.27 MICROMETERS COPPER UNDERPLATE, PCB GROUND TABS DIPPED IN TIN *THE PRIMARY SHIPPING CARTON WILL BE LABELED "COMPLIANT TO RoHS DIRECTIVE 2002/95/EC AND ELV ANNEX II OF DIRECTIVE 2000/53/EC". CARTONS WITHOUT THIS LABEL MAY CONTAIN PRODUCT WITH TIN-LEAD IN THE PC TAILS AND/OR SHIELD.
 - PRODUCT SPECIFICATION AND PROCESSING PARAMETERS: PS-44050-003.
 - PACKAGING SPECIFICATION: CONNECTOR ASSEMBLIES IN THERMOFORMED TRAYS PER MOLEX PACKAGING SPECIFICATION PK-44050-004.
 - MATES WITH: MODULAR PLUGS THAT CONFORM TO FCC REGULATION PART 68.5.
 - AVAILABLE WITH THE (2) SPECIFIED PANEL GROUND TABS OMITTED FOR SIDE TO SIDE STACKABILITY, PER THE ASSEMBLY MATERIAL NUMBER TABLE.
 - TERMINAL LENGTHS MAY BE DIFFERENT FROM TERMINAL TO TERMINAL.
 - THIS PART CONFORMS TO CLASS B REQUIREMENTS OF COSMETIC SPECIFICATION PS-45499-002 WITH THE EXCEPTION OF THE SURFACE INDICATED, WHICH IS A CLASS C SURFACE.

ASSEMBLY MATERIAL NUM	DIM -A-	DIM -B-	PANEL GROUND TAB OPTION
440500007	.120/3.05	N/A	ALL
440500002	.145/3.68	N/A	ALL
440500006	.180/4.57	N/A	ALL
440500003	N/A	.120/3.05	ALL
440500009	.120/3.05	N/A	SEE NOTE #6
440500004	.145/3.68	N/A	SEE NOTE #6
440500008	.180/4.57	N/A	SEE NOTE #6
440500005	N/A	.120/3.05	SEE NOTE #6

SEE SHEET 1
EC NO: UCP2009-3112
DRWIN:RAGUILAR 2009/07/06
CHKD:JBELL 2009/07/06
APPR:FSMITH 2009/07/07

QUALITY SYMBOLS
▽=0
▽=0

GENERAL TOLERANCES (UNLESS SPECIFIED)

	mm	INCH
4 PLACES	± .10	± .004
3 PLACES	± .15	± .006
2 PLACES	± .25	± .010
1 PLACE	± .50	± .020
ANGULAR ±1/2°		

DRAFT WHERE APPLICABLE MUST REMAIN WITHIN DIMENSIONS

DIMENSION STYLE: IN/MM

SCALE: 4:1

DESIGN UNITS: INCH

THIRD ANGLE PROJECTION

TITLE: CATEGORY 5E MODULAR JACK ASSEMBLIES, SINGLE PORT

MOLEX INCORPORATED

DOCUMENT NO: SD-44050-002

SHEET NO: 2 OF 2

THIS DRAWING CONTAINS INFORMATION THAT IS PROPRIETARY TO MOLEX INCORPORATED AND SHOULD NOT BE USED WITHOUT WRITTEN PERMISSION