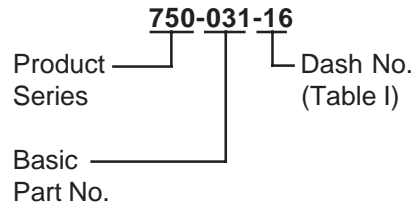


750-031 - Type A Series 75 Flexible Metal-Core Conduit



Series 75
Metal-Core
Conduit



TYPE A BRASS CONDUIT BRONZE BRAID NEOPRENE JACKET*

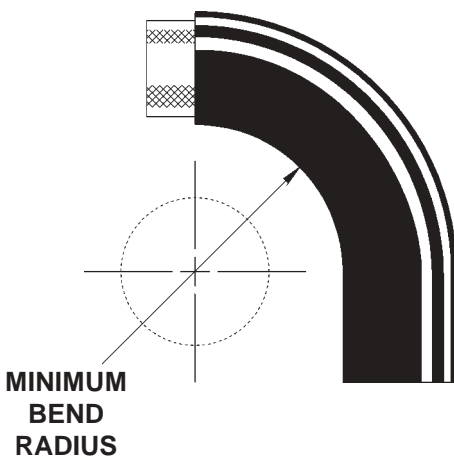
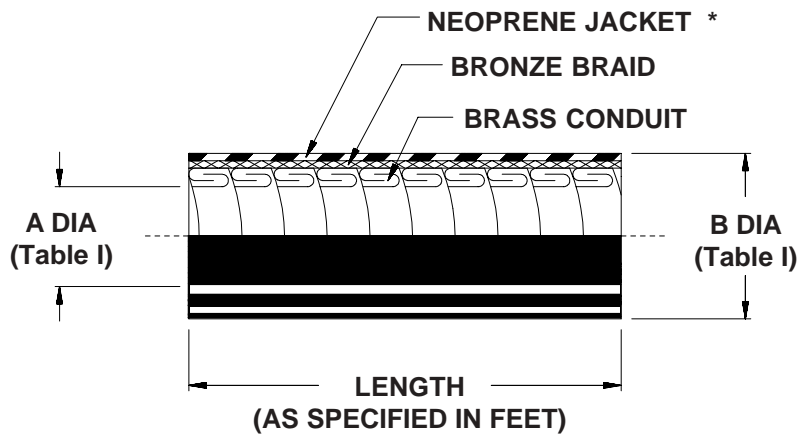


TABLE I			
DASH NO.	A DIA.	B DIA MAX	MINIMUM BEND RADIUS
08	.250 (6.4)	.562 (14.3)	1.750 (44.5)
12	.375 (9.5)	.688 (17.5)	2.000 (50.8)
16	.500 (12.7)	.812 (20.6)	2.500 (63.5)
20	.625 (15.9)	.937 (23.8)	3.000 (76.2)
24	.750 (19.1)	1.078 (27.4)	3.750 (95.3)
32	1.000 (25.4)	1.437 (36.5)	5.000 (127.0)
40	1.250 (31.8)	1.695 (43.1)	6.250 (158.8)
48	1.500 (38.1)	1.956 (49.7)	7.750 (196.9)
56	1.750 (44.5)	2.195 (55.8)	8.500 (215.9)
64	2.000 (50.8)	2.469 (62.7)	10.000 (254.6)
80	2.500 (63.5)	2.969 (75.4)	12.500 (317.5)
96	3.000 (76.2)	3.500 (88.9)	15.000 (381.0)

Metric dimensions (mm) are in parentheses.

* For other jacket materials or for conduit without the jacket, consult the factory.