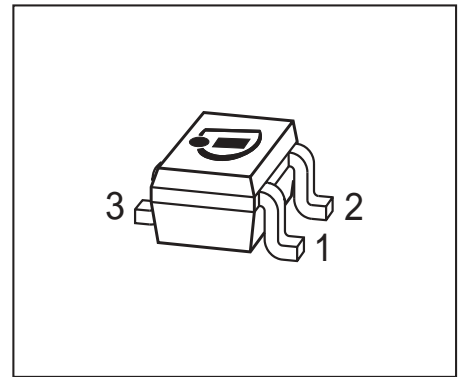


**NPN Silicon RF Transistor**

- For broadband amplifiers up to 1 GHz at collector currents from 1 mA to 20 mA
- Pb-free (RoHS compliant) package<sup>1)</sup>
- Qualified according AEC Q101



**ESD (Electrostatic discharge) sensitive device, observe handling precaution!**

Type	Marking	Pin Configuration			Package
BFS17W	MCs	1 = B	2 = E	3 = C	SOT323

**Maximum Ratings**

Parameter	Symbol	Value	Unit
Collector-emitter voltage	$V_{CEO}$	15	V
Collector-base voltage	$V_{CBO}$	25	
Emitter-base voltage	$V_{EBO}$	2.5	
Collector current	$I_C$	25	mA
Peak collector current, $f = 10$ MHz	$I_{CM}$	50	
Total power dissipation <sup>2)</sup> $T_S \leq 93$ °C	$P_{tot}$	280	mW
Junction temperature	$T_j$	150	°C
Ambient temperature	$T_A$	-65 ... 150	
Storage temperature	$T_{stg}$	-65 ... 150	

**Thermal Resistance**

Parameter	Symbol	Value	Unit
Junction - soldering point <sup>3)</sup>	$R_{thJS}$	$\leq 205$	K/W

<sup>1)</sup>Pb-containing package may be available upon special request

<sup>2)</sup> $T_S$  is measured on the collector lead at the soldering point to the pcb

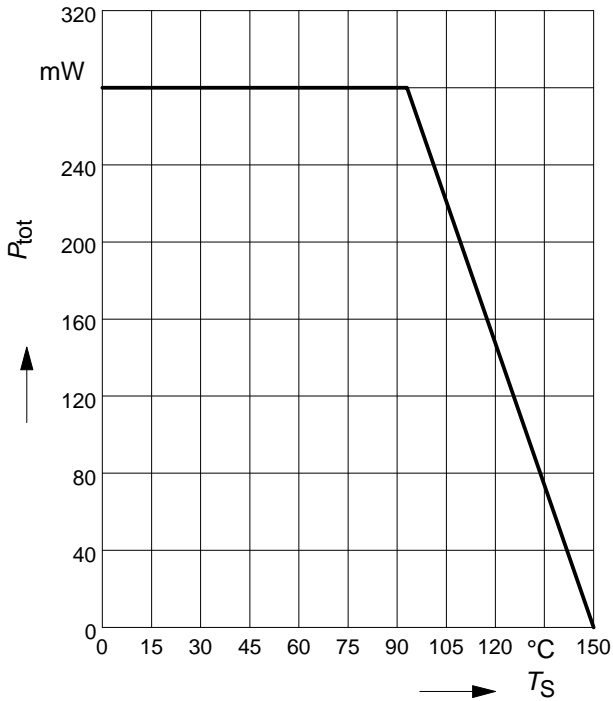
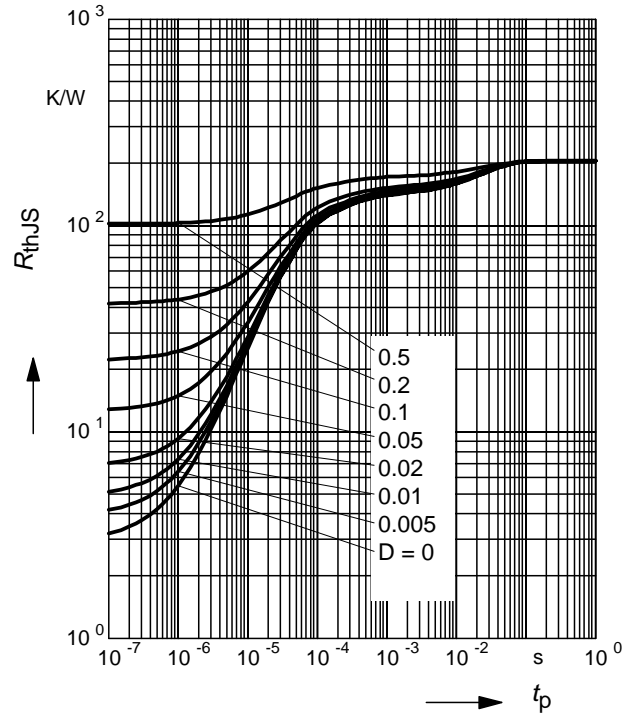
<sup>3)</sup>For calculation of  $R_{thJA}$  please refer to Application Note Thermal Resistance

**Electrical Characteristics** at  $T_A = 25^\circ\text{C}$ , unless otherwise specified

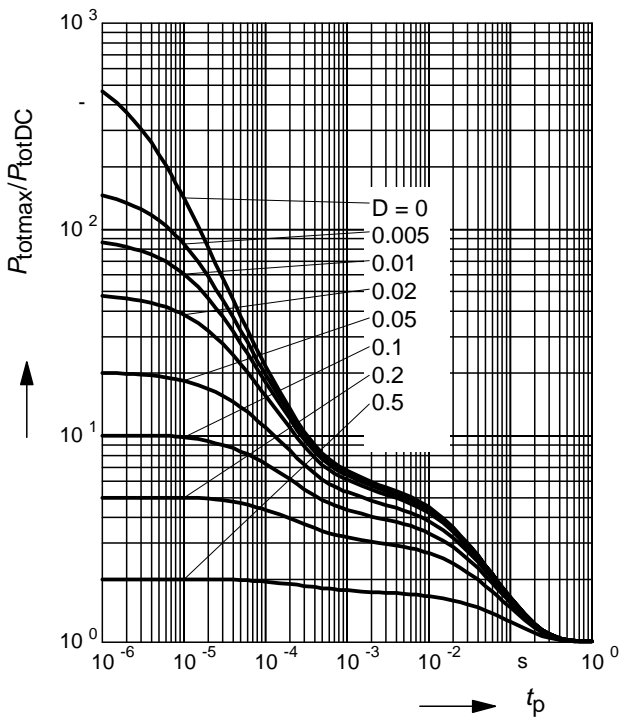
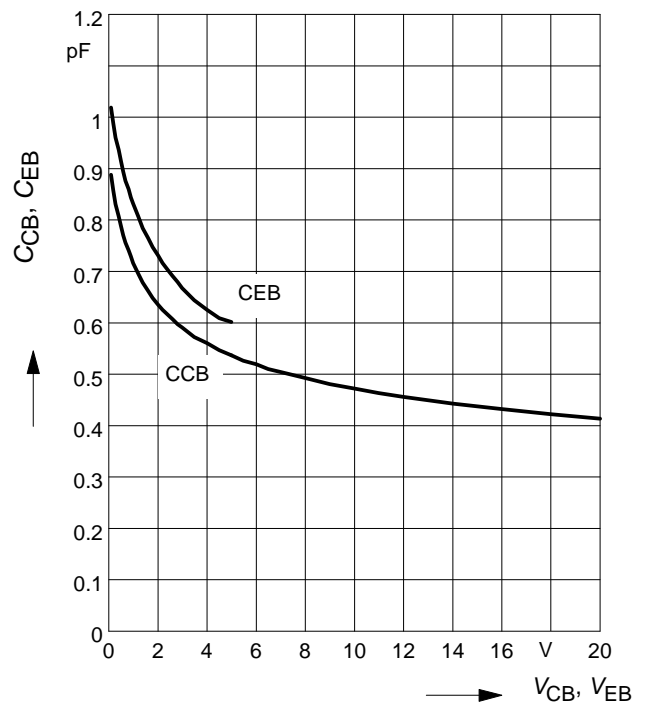
Parameter	Symbol	Values			Unit
		min.	typ.	max.	
<b>DC Characteristics</b>					
Collector-emitter breakdown voltage $I_C = 1 \text{ mA}, I_B = 0$	$V_{(BR)CEO}$	15	-	-	V
Collector-base cutoff current $V_{CB} = 10 \text{ V}, I_E = 0$ $V_{CB} = 25 \text{ V}, I_E = 0$	$I_{CBO}$	-	-	0.05 10	$\mu\text{A}$
Emitter-base cutoff current $V_{EB} = 2.5 \text{ V}, I_C = 0$	$I_{EBO}$	-	-	100	
DC current gain- $I_C = 2 \text{ mA}, V_{CE} = 1 \text{ V}$ , pulse measured $I_C = 25 \text{ mA}, V_{CE} = 1 \text{ V}$ , pulse measured	$h_{FE}$	40 20	- 70	150 -	-
Collector-emitter saturation voltage $I_C = 10 \text{ mA}, I_B = 1 \text{ mA}$	$V_{CEsat}$	-	0.1	0.4	V

**Electrical Characteristics** at  $T_A = 25^\circ\text{C}$ , unless otherwise specified

Parameter	Symbol	Values			Unit
		min.	typ.	max.	
<b>AC Characteristics</b> (verified by random sampling)					
Transition frequency $I_C = 2\text{ mA}$ , $V_{CE} = 5\text{ V}$ , $f = 200\text{ MHz}$ $I_C = 25\text{ mA}$ , $V_{CE} = 5\text{ V}$ , $f = 200\text{ MHz}$	$f_T$	1 1.3	1.4 2.5	- -	GHz
Collector-base capacitance $V_{CB} = 5\text{ V}$ , $f = 1\text{ MHz}$ , $V_{BE} = 0$ , emitter grounded	$C_{cb}$	-	0.55	0.8	pF
Collector emitter capacitance $V_{CE} = 5\text{ V}$ , $f = 1\text{ MHz}$ , $V_{BE} = 0$ , base grounded	$C_{ce}$	-	0.3	-	
Emitter-base capacitance $V_{EB} = 0.5\text{ V}$ , $f = 1\text{ MHz}$ , $V_{CB} = 0$ , collector grounded	$C_{eb}$	-	0.9	1.45	
Noise figure $I_C = 2\text{ mA}$ , $V_{CE} = 5\text{ V}$ , $Z_S = 50\ \Omega$ , $f = 800\text{ MHz}$	$F$	-	3.5	5	dB
Transducer gain $I_C = 20\text{ mA}$ , $V_{CE} = 5\text{ V}$ , $Z_S = Z_L = 50\ \Omega$ , $f = 500\text{ MHz}$	$ S_{21e} ^2$	-	14	-	dB
Third order intercept point at output $V_{CE} = 5\text{ V}$ , $I_C = 20\text{ mA}$ , $f = 800\text{ MHz}$ , $Z_S = Z_{Sopt}$ , $Z_L = Z_{Lopt}$	$IP_3$	-	22.5	-	dBm
1dB Compression point $I_C = 20\text{ mA}$ , $V_{CE} = 5\text{ V}$ , $Z_S = Z_L = 50\ \Omega$ , $f = 800\text{ MHz}$	$P_{-1dB}$	-	11	-	-

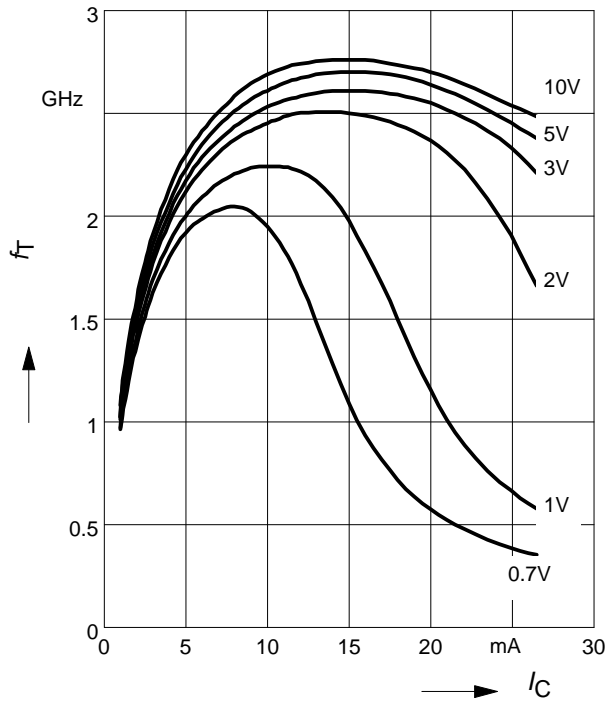
**Total power dissipation  $P_{tot} = f(T_S)$** 

**Permissible Pulse Load  $R_{thJS} = f(t_p)$** 

**Permissible Pulse Load**

$$P_{totmax}/P_{totDC} = f(t_p)$$

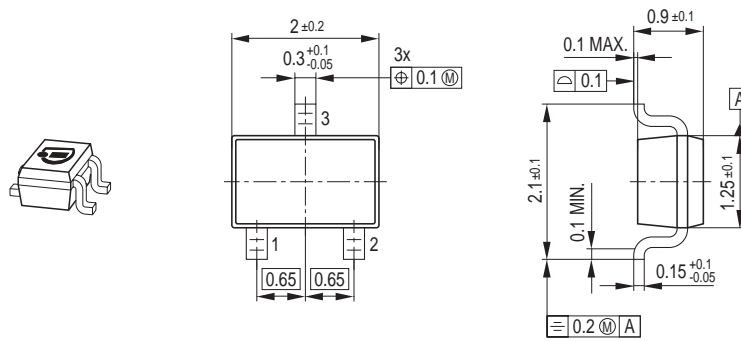

**Collector-base capacitance  $C_{cb} = f(V_{CB})$** 
**Emitter-base capacitance  $C_{eb} = f(V_{EB})$** 
 $f = 1 \text{ MHz}$ 


Transition frequency  $f_T = f(I_C)$

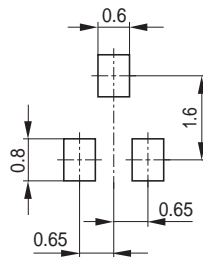
$V_{CE}$  = parameter



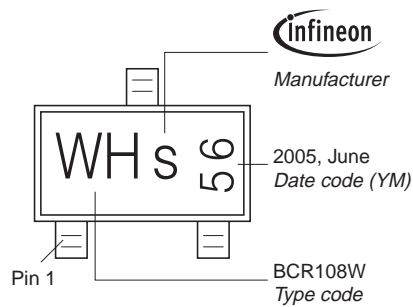
Package Outline



Foot Print

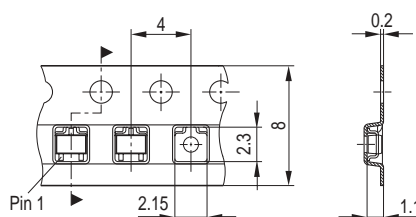


Marking Layout (Example)



Standard Packing

Reel  $\varnothing$ 180 mm = 3.000 Pieces/Reel  
 Reel  $\varnothing$ 330 mm = 10.000 Pieces/Reel



Edition 2006-02-01

Published by

Infineon Technologies AG

81726 München, Germany

© Infineon Technologies AG 2007.

All Rights Reserved.

### **Attention please!**

The information given in this dokument shall in no event be regarded as a guarantee of conditions or characteristics ("Beschaffenheitsgarantie"). With respect to any examples or hints given herein, any typical values stated herein and/or any information regarding the application of the device, Infineon Technologies hereby disclaims any and all warranties and liabilities of any kind, including without limitation warranties of non-infringement of intellectual property rights of any third party.

### **Information**

For further information on technology, delivery terms and conditions and prices please contact your nearest Infineon Technologies Office ([www.infineon.com](http://www.infineon.com)).

### **Warnings**

Due to technical requirements components may contain dangerous substances. For information on the types in question please contact your nearest Infineon Technologies Office.

Infineon Technologies Components may only be used in life-support devices or systems with the express written approval of Infineon Technologies, if a failure of such components can reasonably be expected to cause the failure of that life-support device or system, or to affect the safety or effectiveness of that device or system.

Life support devices or systems are intended to be implanted in the human body, or to support and/or maintain and sustain and/or protect human life. If they fail, it is reasonable to assume that the health of the user or other persons may be endangered.