

Triple Balanced Mixer

Multi-Octave Band

Model MM4xMS

Model MM4xMS-15

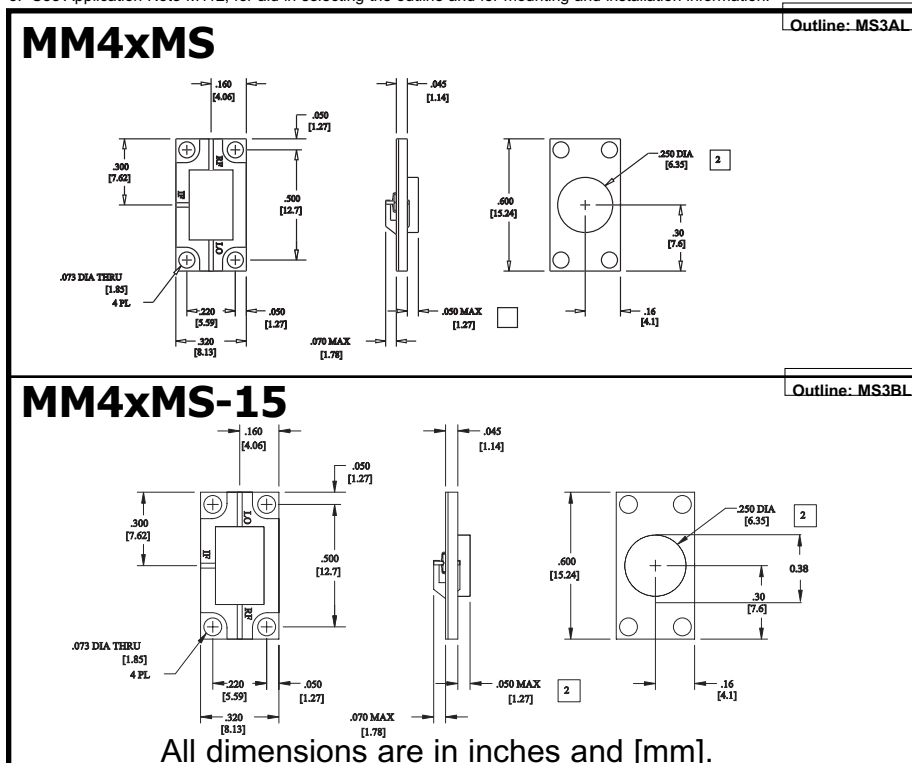
RF 1.5 to 9.0 GHz

Electrical Specifications ⁽¹⁾:

Parameter	Conditions			Specifications		
	RF(GHz)	LO(GHz)	IF(MHz)	Min	Typical	Max
SSB Conversion loss: ^{(2) (3)}	2.0-9.0	2.0-9.0	10-2000		6.0 dB	7.5 dB
	1.5-9.0	1.5-9.0	10-4000		6.5 dB	9.0 dB
Isolation	1.5-9.0	1.5-9.0	10-4000	15 dB	22 dB	
		3.0-9.0		20 dB	27 dB	
		1.5-9.0		22 dB	35 dB	
					42 dB	
Input 1-dB Compression Point:	1.5-9.0	1.5-9.0	10-4000	+5 dBm	MM44	
				+8 dBm	MM46	
Input Third Order Intercept Point:	1.5-9.0	1.5-9.0	10-4000	+12 dBm	MM47	
				+15 dBm	MM48	
				+14 dBm	MM44	
				+17 dBm	MM46	
LO Power: ⁽⁴⁾	1.5-9.0	1.5-9.0	10-4000	+21 dBm	MM47	
				+24 dBm	MM48	
				+10 dBm	MM44	
				+13 dBm	MM46	

→ LO Power
 4 = +10 dBm
 6 = +13 dBm
 7 = +17 dBm
 8 = +21 dBm

- Notes:
 1. Specifications are guaranteed when tested as a downconverter in a 50 Ohm system at +25°C with the nominal LO power. Specifications indicated as typical are not guaranteed.
 2. Noise figure is typically within ±0.5 dB of conversion loss.
 3. Conversion loss typically degrades less than 0.5 dB at +100°C and improves less than 0.5 dB at -55°C.
 4. Usable LO drives are up to 2 dB below and 3 dB above nominal.
 5. See Application Note M112, for aid in selecting the outline and for mounting and installation information.



Typical Performance at 25°C

