

# NCN3411

## 4-Differential Channel 1:2 Mux/Demux Switch for PCI Express Gen3

The NCN3411 is a 4-Channel differential SPDT switch designed to route PCI Express Gen3 signals. When used in a PCI Express application, the switch can handle up to two PCIe lanes. Due to the ultra-low ON-state capacitance (2 pF typ) and resistance (7.5 Ω typ), these switches are ideal for switching high frequency data signals up to a signal bit rate of 8 Gbps. This switch pinout is designed to be used in BTX form factor desktop PCs and is available in a space-saving 3.5 x 9 x 0.75 mm WQFN42 package.

### Features

- V<sub>DD</sub> Power Supply from 1.5 V to 2.0 V
- 4 Differential Channels 2:1 MUX/DEMUX
- Compatible with PCIe 3.0
- Data Rate: Supports 8 Gbps
- Low Crosstalk -30 dB @ 4 GHz
- Low Bit-to-Bit Skew: 5 ps
- Low R<sub>ON</sub> Resistance: 13 Ω max
- Low C<sub>ON</sub> Capacitance: 2 pF
- Low Supply Current: 200 μA
- Off Isolation: -20 dB @ 4 GHz
- Space Saving Small WQFN-42 Package
- This is a Pb-Free Device

### Typical Applications

- Notebook Computer
- Desktop computer
- Server/Storage Area Network

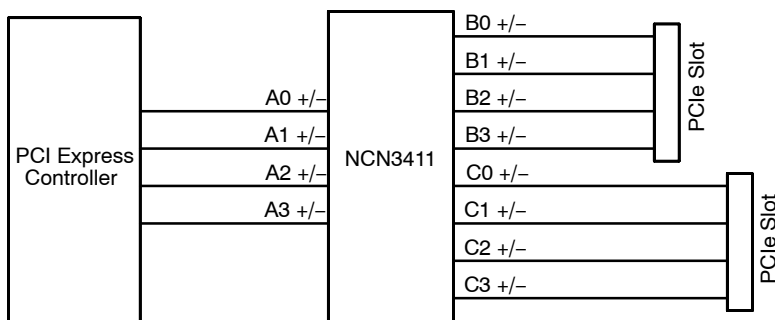


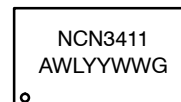
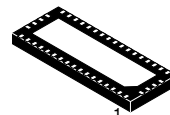
Figure 1. Application Schematic



ON Semiconductor®

<http://onsemi.com>

### MARKING DIAGRAM



WQFN42  
CASE 510AP

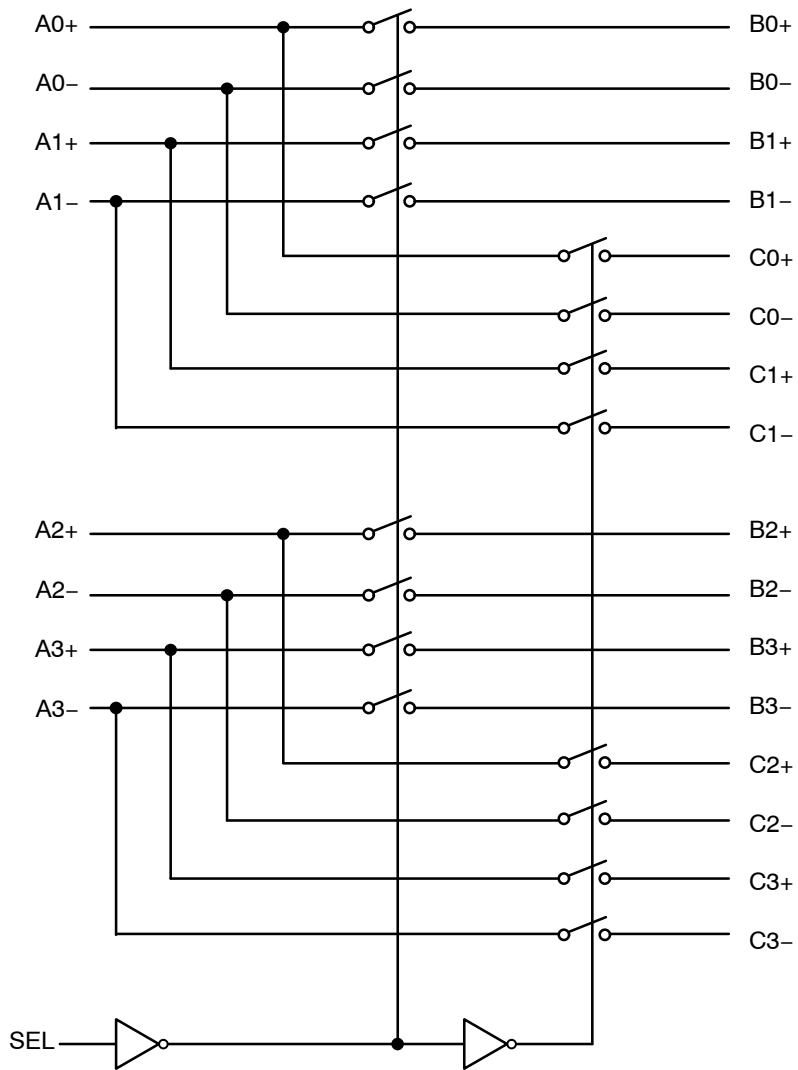
XXXXX = Specific Device Code  
A = Assembly Location  
WL = Wafer Lot  
YY = Year  
WW = Work Week  
G = Pb-Free Package

### ORDERING INFORMATION

Device	Package	Shipping†
NCN3411MTTWG	WQFN42 (Pb-Free)	2000 / Tape & Reel

†For information on tape and reel specifications, including part orientation and tape sizes, please refer to our Tape and Reel Packaging Specifications Brochure, BRD8011/D.

# NCN3411

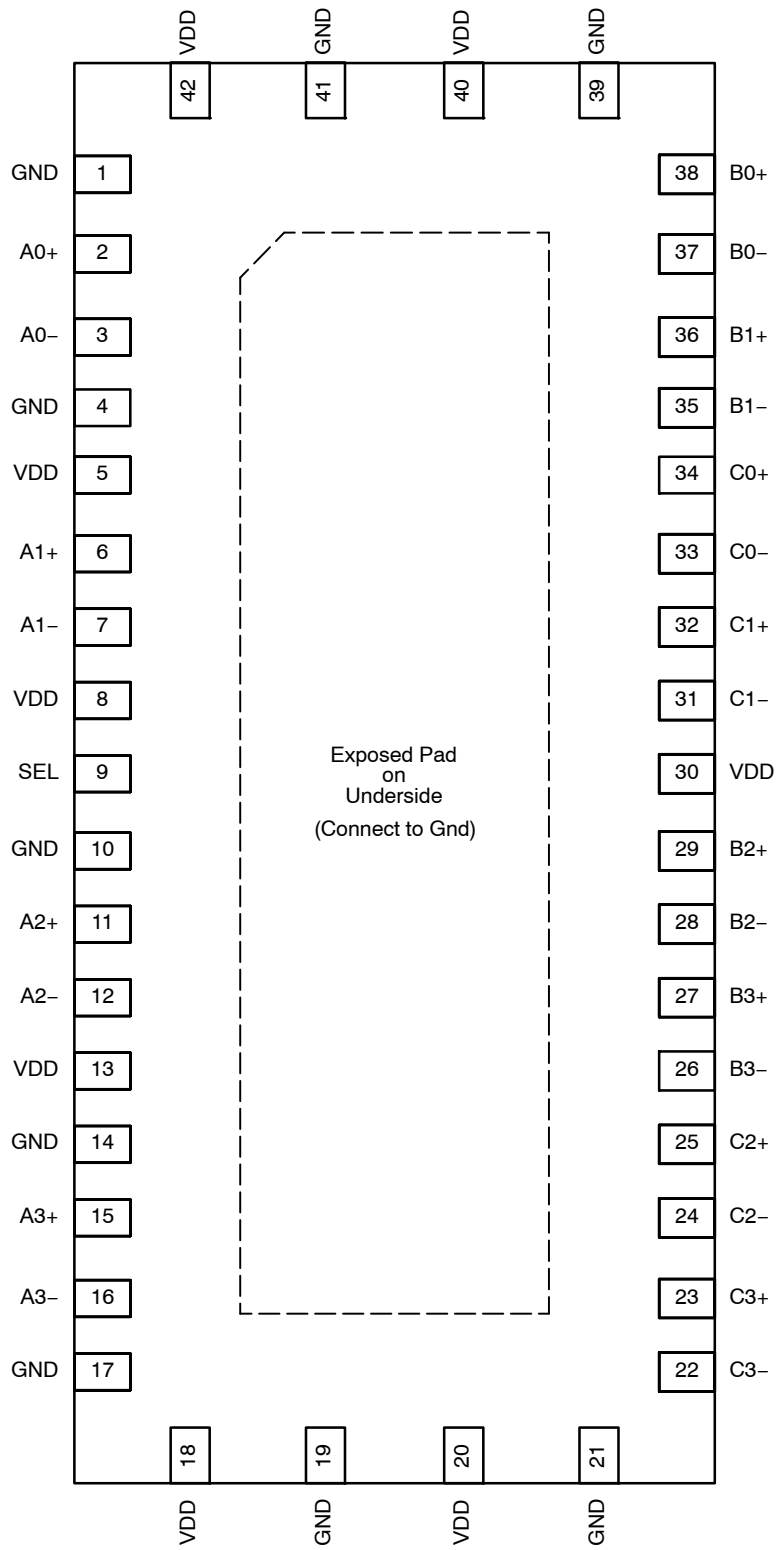


**Figure 2. NCN3411 Functional Block Diagram (Top View)**

## TRUTH TABLE

Function	SEL
$A_N$ to $B_N$	L
$A_N$ to $C_N$	H

# NCN3411



**Figure 3. Pin Description (Top View)**

# NCN3411

## PIN FUNCTION AND DESCRIPTION

Pin	Pin Name	Description
2 3	A0+ A0-	Signal I/O, Channel 0, Port A
6 7	A1+ A1-	Signal I/O, Channel 1, Port A
11 12	A2+ A2-	Signal I/O, Channel 2, Port A
15 16	A3+ A3-	Signal I/O, Channel 3, Port A
38 37	B0+ B0-	Signal I/O, Channel 0, Port B
36 35	B1+ B1-	Signal I/O, Channel 1, Port B
29 28	B2+ B2-	Signal I/O, Channel 2, Port B
27 26	B3+ B3-	Signal I/O, Channel 3, Port B
34 33	C0+ C0-	Signal I/O, Channel 0, Port C
32 31	C1+ C1-	Signal I/O, Channel 1, Port C
25 24	C2+ C2-	Signal I/O, Channel 2, Port C
23 22	C3+ C3-	Signal I/O, Channel 3, Port C
9	SEL	Operational Mode Select (When SEL = 0: A → B, When SEL = 1: A → C)
5, 8, 13, 18, 20, 30, 40, 42	VDD	DC Supply: 1.5 V to 2.0 V
1, 4, 10, 14, 17, 19, 21, 39, 41	GND	Power Ground
Exposed Pad	-	The exposed pad on the backside of package is internally connected to GND. Externally the pad should also be user-connected to GND.

# NCN3411

## MAXIMUM RATINGS

Parameter	Symbol	Rating	Units
Power Supply Voltage	$V_{DD}$	-0.5 to 2.5	$V_{DC}$
Input/Output Voltage Range of the Switch ( $A_N$ , $B_N$ , $C_N$ )	$V_{IS}$	-0.5 to $V_{DD}$	$V_{DC}$
Selection Pin Voltages	$V_{SEL}$	-0.5 to $V_{DD}$	$V_{DC}$
Continuous Current Through One Switch	$I_{CC}$	$\pm 120$	mA
Maximum Junction Temperature (Note 1)	$T_J$	150	$^{\circ}C$
Operating Ambient Temperature	$T_A$	-40 to +85	$^{\circ}C$
Storage Temperature Range	$T_{stg}$	-65 to +150	$^{\circ}C$
Thermal Resistance, Junction-to-Air	$R_{\theta JA}$	75	$^{\circ}C/W$
Latch-up Current (Note 2)	$I_{LU}$	$\pm 100$	mA
Human Body Model (HBM) ESD Rating (Note 3)	ESD HBM	7000	V
Machine Model (MM) ESD Rating (Note 3)	ESD MM	400	V
Moisture Sensitivity (Note 4)	MSL	Level 1	-

Stresses exceeding Maximum Ratings may damage the device. Maximum Ratings are stress ratings only. Functional operation above the Recommended Operating Conditions is not implied. Extended exposure to stresses above the Recommended Operating Conditions may affect device reliability.

1. Power dissipation must be considered to ensure maximum junction temperature ( $T_J$ ) is not exceeded.
2. Latch up Current Maximum Rating:  $\pm 100$  mA per JEDEC standard: JESD78.
3. This device series contains ESD protection and passes the following tests:  
Human Body Model (HBM)  $\pm 7.0$  kV per JEDEC standard: JESD22-A114 for all pins.  
Machine Model (MM)  $\pm 400$  V per JEDEC standard: JESD22-A115 for all pins.
4. Moisture Sensitivity Level (MSL): 1 per IPC/JEDEC standard: J-STD-020A.

# NCN3411

## DC ELECTRICAL CHARACTERISTICS OVER OPERATING RANGE ( $T_A = -40^{\circ}\text{C}$ to $+85^{\circ}\text{C}$ , $V_{DD} = 1.5\text{ V}$ to $2.0\text{ V}$ , $\text{GND} = 0\text{V}$ )

Symbol	Pins	Parameters	Conditions (Note 5)	Min.	Typ (Note 6)	Max.	Units
--------	------	------------	---------------------	------	--------------	------	-------

### POWER SUPPLY

$V_{DD}$	$V_{DD}$ , GND	Supply Voltage Range	With respect to GND	1.5	1.8	2.0	V
$I_{DD}$	$V_{DD}$ , GND	Quiescent Supply Current	$V_{DD} = 2\text{ V}$ , $V_{SEL} = \text{GND}$ or $V_{DD}$		200	300	$\mu\text{A}$

### DATA SWITCH PERFORMANCE

$V_{IS}$	$A_N$ , $B_N$ , $C_N$	Data Input/Output Voltage Range		0		1.2	V
$R_{ON}$	$B_N$	On Resistance ( $B_N$ )	$V_{DD} = 1.5\text{ V}$ , $V_{IS} = 0\text{ V}$ to $1.2\text{ V}$ , $I_{IS} = 15\text{ mA}$		7.5	13	$\Omega$
$R_{ON}$	$C_N$	On Resistance ( $C_N$ )	$V_{DD} = 1.5\text{ V}$ , $V_{IS} = 0\text{ V}$ to $1.2\text{ V}$ , $I_{IS} = 15\text{ mA}$		8.0	13	$\Omega$
$R_{ON(\text{flat})}$	$B_N$	On Resistance Flatness	$V_{DD} = 1.5\text{ V}$ , $V_{IS} = 0\text{ V}$ to $1.2\text{ V}$ , $I_{IS} = 15\text{ mA}$ (Note 7)		0.1	1.24	$\Omega$
$R_{ON(\text{flat})}$	$C_N$	On Resistance Flatness	$V_{DD} = 1.5\text{ V}$ , $V_{IS} = 0\text{ V}$ to $1.2\text{ V}$ , $I_{IS} = 15\text{ mA}$ (Note 7)		0.1	1.24	$\Omega$
$\Delta R_{ON}$	$B_N$	On Resistance Matching( $B_N$ )	$V_{DD} = 1.5\text{ V}$ , $V_{IS} = 0\text{ V}$ , $I_{IS} = 15\text{ mA}$ (Note 7)			0.35	$\Omega$
$\Delta R_{ON}$	$C_N$	On Resistance Matching( $C_N$ )	$V_{DD} = 1.5\text{ V}$ , $V_{IS} = 0\text{ V}$ , $I_{IS} = 15\text{ mA}$ (Note 7)			0.35	$\Omega$
$C_{ON}$	$A_N$ to $B_N$ , $A_N$ to $C_N$	On Capacitance	$f = 1\text{ MHz}$ , Switch On, Open Output		2.0		pF
$C_{OFF}$	$A_N$ to $B_N$ , $A_N$ to $C_N$	Off Capacitance	$f = 1\text{ MHz}$ , Switch Off		1.5		pF
$I_{ON}$	$A_N$ to $B_N$ , $A_N$ to $C_N$	On Leakage Current	$V_{DD} = 2\text{ V}$ , $V_{AN} = 0\text{ V}$ , $1.2\text{ V}$ , Switch On to $B_N/C_N$ , $B_N/C_N$ pins are unconnected	-1		+1	$\mu\text{A}$
$I_{OFF}$	$A_N$ to $B_N$ , $A_N$ to $C_N$	Off Leakage Current	$V_{DD} = 2\text{ V}$ , $V_{AN} = 0\text{ V}$ , $1.2\text{ V}$ , Switch Off to $B_N/C_N$ , $V_{BN}/V_{CN} = 1.2\text{ V}$ , $0\text{ V}$	-1		+1	$\mu\text{A}$

### LOGIC INPUT CHARACTERISTICS (SEL Pin)

$V_{IH}$	SEL	Input HIGH Voltage	(Note 7)	$0.65 \times V_{DD}$		$V_{DD}$	V
$V_{IL}$	SEL	Input LOW Voltage	(Note 7)	0		$0.35 \times V_{DD}$	V
$V_{IK}$	SEL	Clamp Diode Voltage	$V_{DD} = \text{Max}$ , $I_{SEL} = -18\text{ mA}$		-0.7	-1.2	V
$I_{IH}$	SEL	Input HIGH Current	$V_{DD} = \text{Max}$ , $V_{SEL} = V_{DD}$			$\pm 5$	$\mu\text{A}$
$I_{IL}$	SEL	Input LOW Current	$V_{DD} = \text{Max}$ , $V_{SEL} = \text{GND}$			$\pm 5$	$\mu\text{A}$

### SWITCHING CHARACTERISTICS

$t_{SELO\text{N}}$	SEL, $A_N$ , $B_N/C_N$	Line Enable Time	SEL to $A_N$ , $B_N$ , $C_N$ $R_L = 50\ \Omega$ , $C_L = 20\ \text{pF}$		8.0		ns
$t_{SELO\text{OFF}}$	SEL, $A_N$ , $B_N/C_N$	Line Disable Time	SEL to $A_N$ , $B_N$ , $C_N$ $R_L = 50\ \Omega$ , $C_L = 20\ \text{pF}$		5.0		ns
$t_{b-b}$	$A_N$ , $B_N/C_N$	Bit-to-bit skew	Within the same differential pair		5.0		ps
$t_{ch-ch}$	$A_N$ , $B_N$	Channel-to channel skew	Maximum skew between all channels		50		ps

5. For Max. or Min. conditions, use appropriate value specified under Electrical Characteristics for the applicable device type.

6. Typical values are at  $V_{DD} = 1.8\text{ V}$ ,  $T_A = 25^{\circ}\text{C}$  ambient and maximum loading.

7. Guaranteed by design and/or characterization.

# NCN3411

**DC ELECTRICAL CHARACTERISTICS OVER OPERATING RANGE** ( $T_A = -40^{\circ}\text{C}$  to  $+85^{\circ}\text{C}$ ,  $V_{DD} = 1.5\text{ V}$  to  $2.0\text{ V}$ ,  $\text{GND} = 0\text{V}$ )

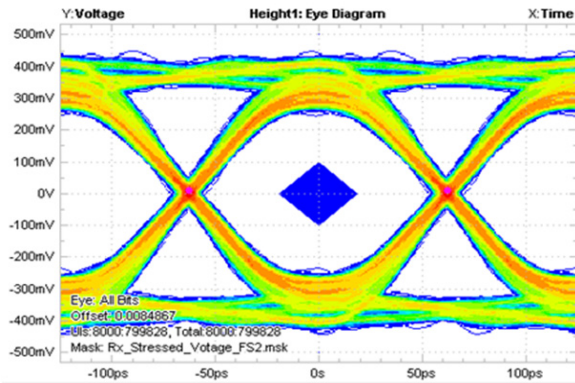
Symbol	Pins	Parameters	Conditions (Note 5)	Min.	Typ (Note 6)	Max.	Units
--------	------	------------	---------------------	------	--------------	------	-------

**DYNAMIC ELECTRICAL CHARACTERISTICS OVER OPERATING RANGE**

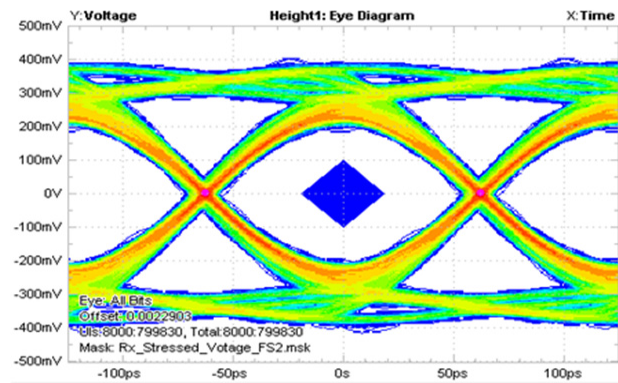
BR	$A_N$ to $B_N$ , $A_N$ to $C_N$	Signal Bit Rate			8.0		Gbps
D <sub>IL</sub>	$A_N$ to $B_N$ , $A_N$ to $C_N$	Differential Insertion Loss	$f = 4\text{ GHz}$		-2.0		dB
			$f = 100\text{ MHz}$		-0.7		dB
D <sub>CTK</sub>	$A_N$ , $B_N$ , $C_N$	Differential Crosstalk	$f = 4\text{ GHz}$		-30		dB
			$f = 100\text{ MHz}$		-58		dB
D <sub>ISO</sub>	$A_N$ to $B_N$ , $A_N$ to $C_N$	Differential Off Isolation	$f = 4\text{ GHz}$		-20		dB
			$f = 100\text{ MHz}$		-58		dB
D <sub>RL</sub>	$A_N$ to $B_N$ , $A_N$ to $C_N$	Differential Return Loss	$f = 4\text{ GHz}$		-9.0		dB
			$f = 100\text{ MHz}$		-22		dB

5. For Max. or Min. conditions, use appropriate value specified under Electrical Characteristics for the applicable device type.
6. Typical values are at  $V_{DD} = 1.8\text{ V}$ ,  $T_A = 25^{\circ}\text{C}$  ambient and maximum loading.
7. Guaranteed by design and/or characterization.

## TYPICAL OPERATING CHARACTERISTICS



**Figure 4. Reference PCIe 3.0 Eye Diagram without Switch at 8 Gbps, 800 mV<sub>pp</sub> Differential Swing**



**Figure 5. PCIe 3.0 Eye Diagram through NCN3411 at 8 Gbps, 800 mV<sub>pp</sub> Differential Swing**

TYPICAL OPERATING CHARACTERISTICS

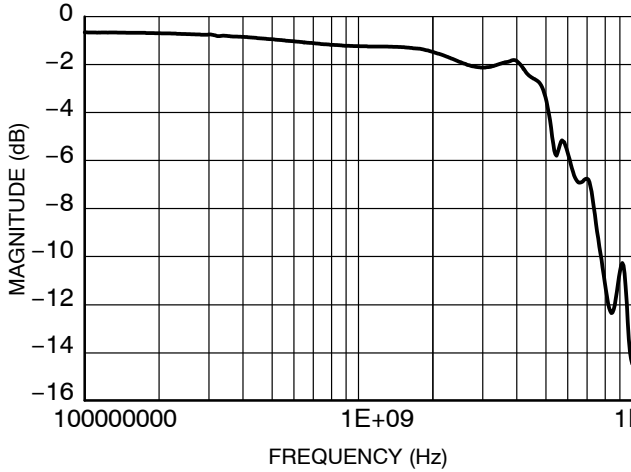


Figure 6. Differential Insertion Loss

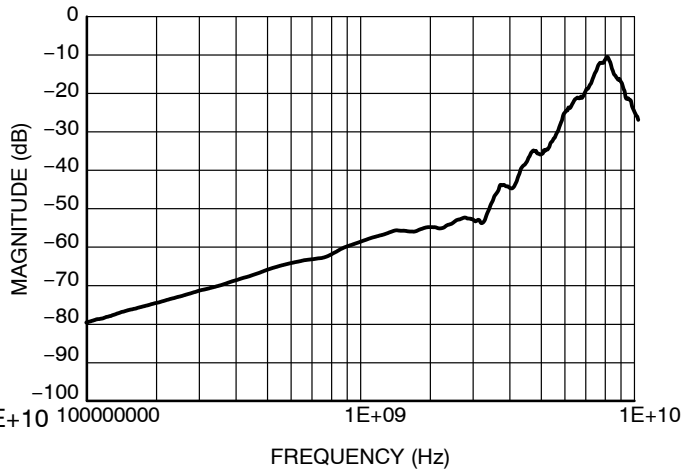


Figure 7. Differential Crosstalk

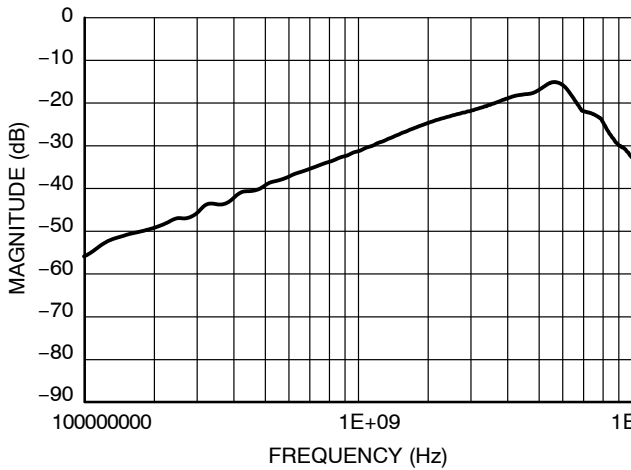


Figure 8. Differential Off Isolation

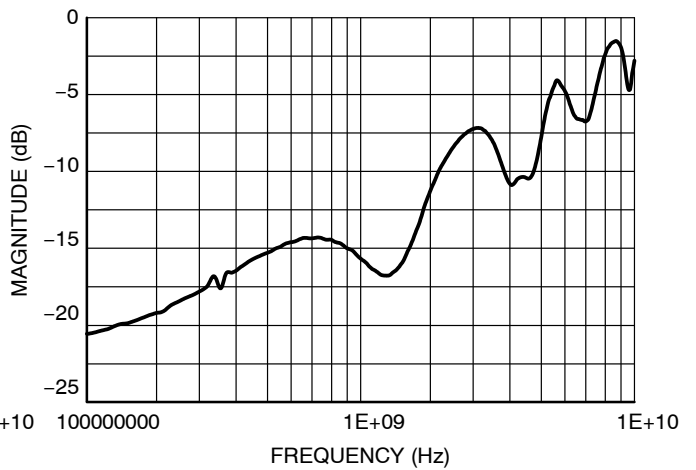


Figure 9. Differential Return Loss

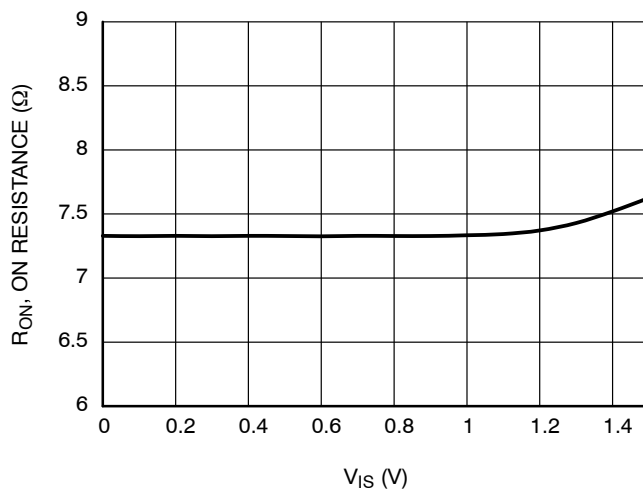


Figure 10. RON vs. VIS



PARAMETER MEASUREMENT INFORMATION

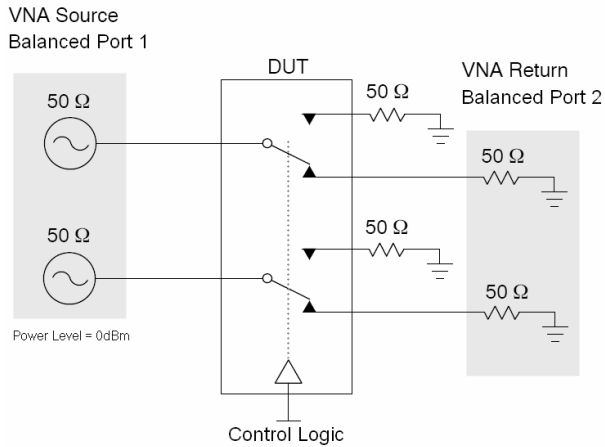


Figure 11. Differential Insertion Loss ( $S_{DD21}$ ) and Differential Return Loss ( $S_{DD11}$ )

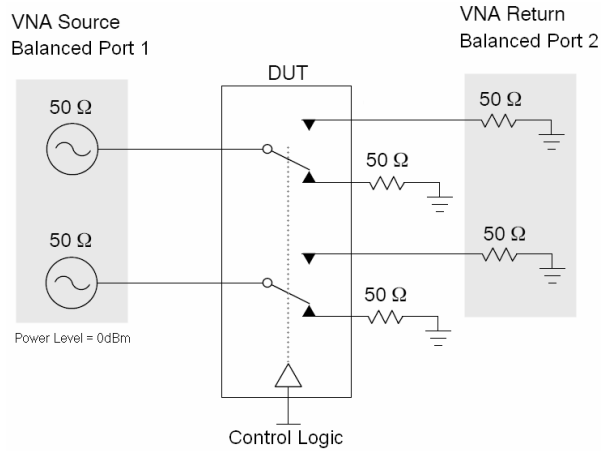


Figure 12. Differential Off Isolation ( $S_{DD21}$ )

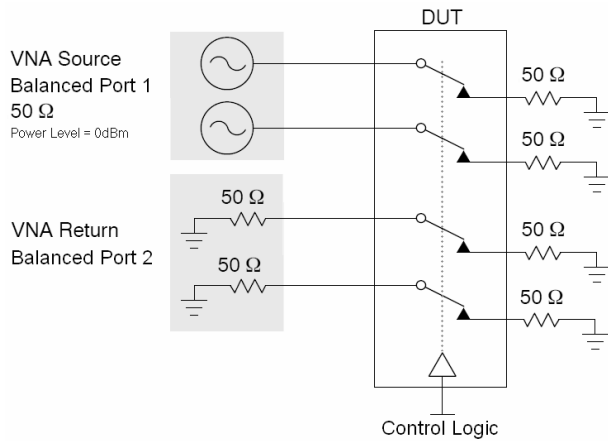


Figure 13. Differential Crosstalk ( $S_{DD21}$ )

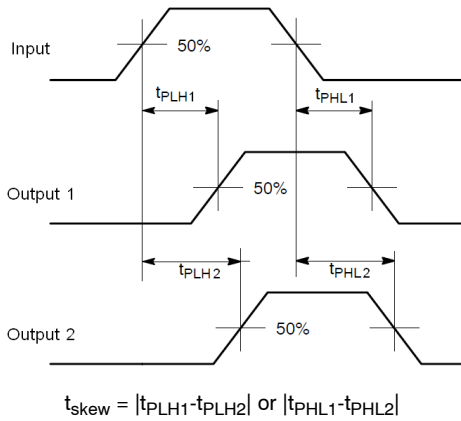


Figure 14. Bit-to-Bit and Channel-to-Channel Skew

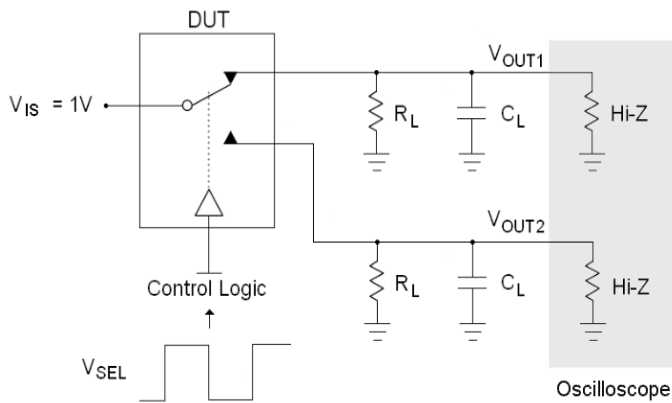


Figure 15.  $t_{ON}$  and  $t_{OFF}$

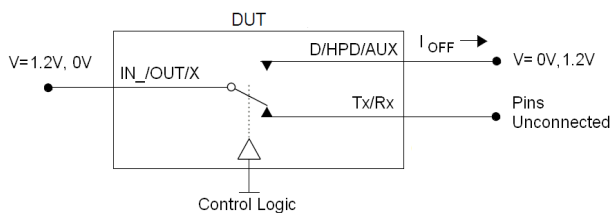
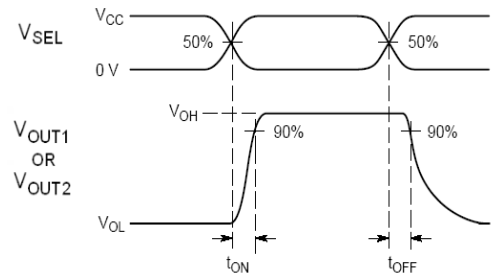


Figure 16. Off State Leakage

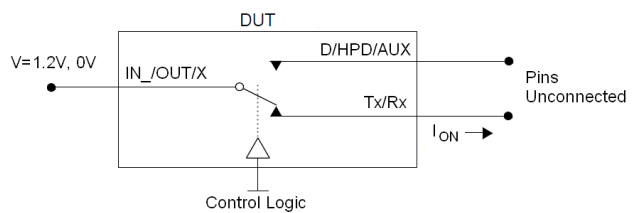
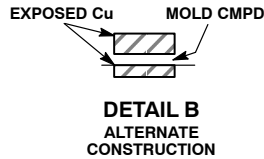
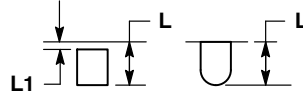
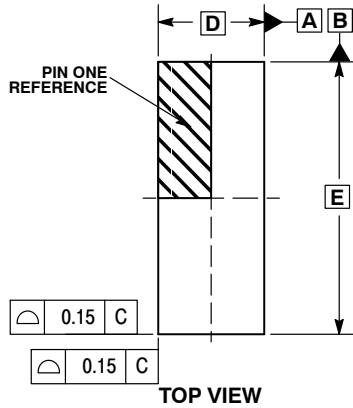


Figure 17. On State Leakage

# NCN3411

## PACKAGE DIMENSIONS

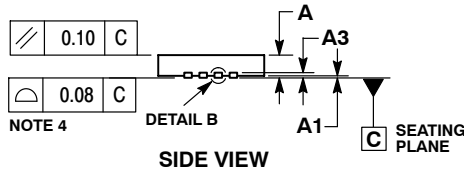
WQFN42 3.5x9, 0.5P  
CASE 510AP-01  
ISSUE O



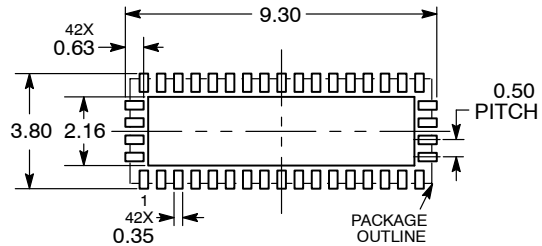
**NOTES:**

1. DIMENSIONING AND TOLERANCING PER ASME Y14.5M, 1994.
2. CONTROLLING DIMENSION: MILLIMETERS.
3. DIMENSION b APPLIES TO PLATED TERMINAL AND IS MEASURED BETWEEN 0.15 AND 0.30 MM FROM TERMINAL TIP.
4. COPLANARITY APPLIES TO THE EXPOSED PAD AS WELL AS THE TERMINALS.

DIM	MILLIMETERS	
	MIN	MAX
A	0.70	0.80
A1	0.00	0.05
A3	0.20	REF
b	0.20	0.30
D	3.50	BSC
D2	1.95	2.15
E	9.00	BSC
E2	7.45	7.65
e	0.50	BSC
K	0.20	---
L	0.30	0.50
L1	0.00	0.15

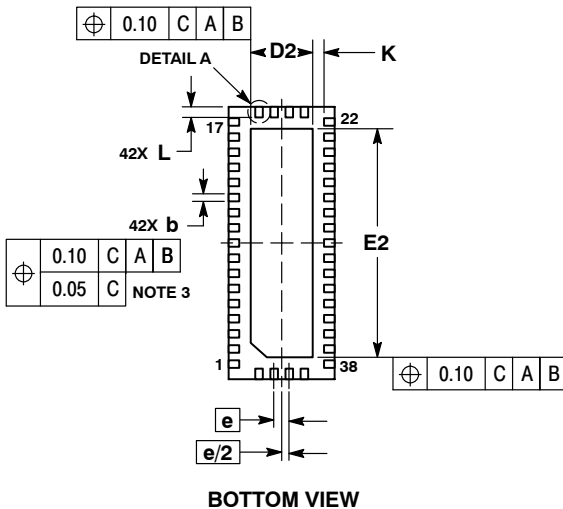


**RECOMMENDED MOUNTING FOOTPRINT\***



DIMENSIONS: MILLIMETERS

\*For additional information on our Pb-Free strategy and soldering details, please download the ON Semiconductor Soldering and Mounting Techniques Reference Manual, SOLDERRM/D.



ON Semiconductor and are registered trademarks of Semiconductor Components Industries, LLC (SCILLC). SCILLC reserves the right to make changes without further notice to any products herein. SCILLC makes no warranty, representation or guarantee regarding the suitability of its products for any particular purpose, nor does SCILLC assume any liability arising out of the application or use of any product or circuit, and specifically disclaims any and all liability, including without limitation special, consequential or incidental damages. "Typical" parameters which may be provided in SCILLC data sheets and/or specifications can and do vary in different applications and actual performance may vary over time. All operating parameters, including "Typicals" must be validated for each customer application by customer's technical experts. SCILLC does not convey any license under its patent rights nor the rights of others. SCILLC products are not designed, intended, or authorized for use as components in systems intended for surgical implant into the body, or other applications intended to support or sustain life, or for any other application in which the failure of the SCILLC product could create a situation where personal injury or death may occur. Should Buyer purchase or use SCILLC products for any such unintended or unauthorized application, Buyer shall indemnify and hold SCILLC and its officers, employees, subsidiaries, affiliates, and distributors harmless against all claims, costs, damages, and expenses, and reasonable attorney fees arising out of, directly or indirectly, any claim of personal injury or death associated with such unintended or unauthorized use, even if such claim alleges that SCILLC was negligent regarding the design or manufacture of the part. SCILLC is an Equal Opportunity/Affirmative Action Employer. This literature is subject to all applicable copyright laws and is not for resale in any manner.

**PUBLICATION ORDERING INFORMATION**

**LITERATURE FULFILLMENT:**  
Literature Distribution Center for ON Semiconductor  
P.O. Box 5163, Denver, Colorado 80217 USA  
**Phone:** 303-675-2175 or 800-344-3860 Toll Free USA/Canada  
**Fax:** 303-675-2176 or 800-344-3867 Toll Free USA/Canada  
**Email:** orderlit@onsemi.com

**N. American Technical Support:** 800-282-9855 Toll Free USA/Canada  
**Europe, Middle East and Africa Technical Support:**  
Phone: 421 33 790 2910  
**Japan Customer Focus Center**  
Phone: 81-3-5773-3850

**ON Semiconductor Website:** [www.onsemi.com](http://www.onsemi.com)  
**Order Literature:** <http://www.onsemi.com/orderlit>  
For additional information, please contact your local Sales Representative