

PLEASE CHECK WWW.MOLEX.COM FOR LATEST PART INFORMATION

Part Number: **0191951035**
Status: **Active**
Description: MagKrimp™ Round Ring Tongue Terminal for 12 AWG Magnet Wire, 10,380-52,480 Circular Mil Area, Stud Size 5/16", Plated

Documents:

[Drawing \(PDF\)](#) [Product Specification PS-19902-001 \(PDF\)](#)
[Product Specification PS-19195-001 \(PDF\)](#) [RoHS Certificate of Compliance \(PDF\)](#)

Agency Certification

UL E32244

General

Product Family Ring and Spade Terminals
 Series 19195
 Comments 6 wires maximum for 12 AWG. Conductors heavier than 6 AWG require special dies - contact Molex.
 Crimp Quality Equipment Yes
 Mil-Spec N/A
 Product Name MagKrimp™(Magnet Wire)
 Type Ring

Physical

Barrel Type Open
 Insulation None
 Material - Plating Mating Tin
 Packaging Type Bag
 Plating min: Mating (µin) 100
 Plating min: Mating (µm) 2.5
 Plating min: Termination (µin) 100
 Plating min: Termination (µm) 2.5
 Stud Size 5/16" (M8)
 Temperature Range - Operating -40°C to +100°C
 Wire Size AWG 12
 Wire Size mm² 2.7

Electrical

Voltage - Maximum 2000V

Material Info

Reference - Drawing Numbers

Product Specification PS-19195-001, PS-19902-001
 Sales Drawing SD-19195-016

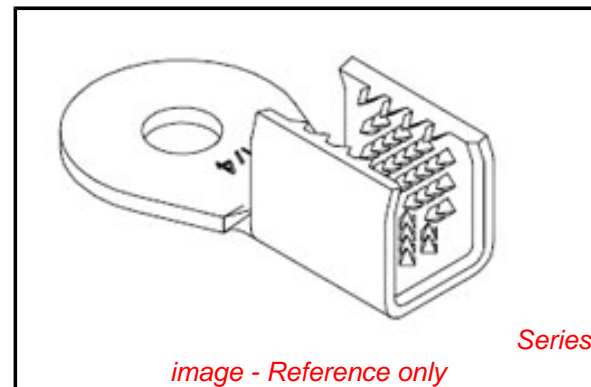


image - Reference only

EU RoHS

ELV and RoHS Compliant
REACH SVHC
 Not Reviewed
Halogen-Free Status
Not Reviewed

China RoHS



Need more information on product environmental compliance?

Email productcompliance@molex.com
 For a multiple part number RoHS Certificate of Compliance, [click here](#)

Please visit the [Contact Us](#) section for any non-product compliance questions.

Search Parts in this Series

19195Series

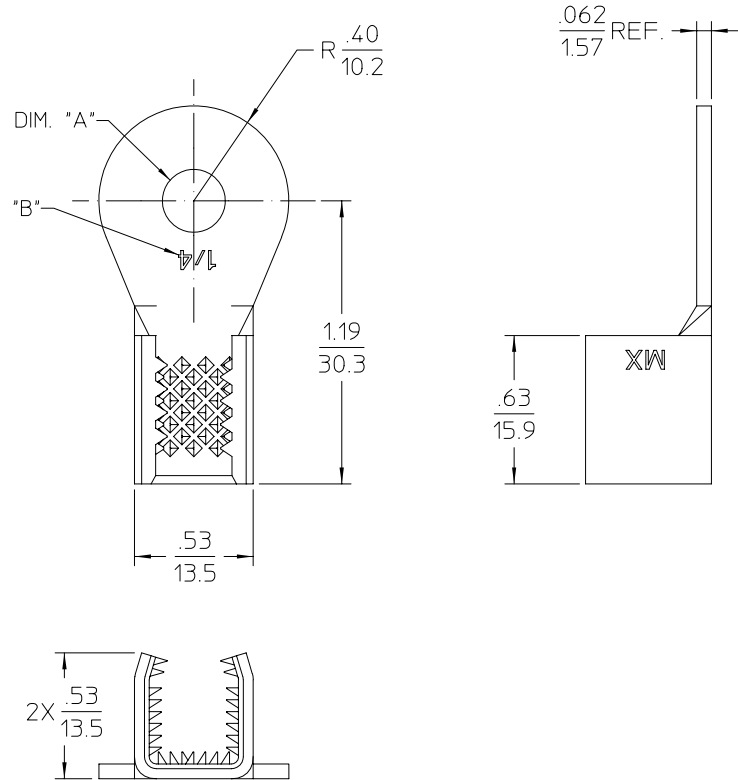
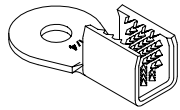
Application Tooling | FAQ

Tooling specifications and manuals are found by selecting the products below. Crimp Height Specifications are then contained in the Application Tooling Specification document.

Global

Description	Product #
Hydraulic Crimp Dies	0190780131

MATERIAL NUMBER	DIM. "A"	"B"
191951007	∅.265/6.73	1/4
191951035	∅.328/8.33	5/16
191951021	∅.390/9.91	3/8
191951037	∅.515/13.08	1/2



- NOTES:
1. MATERIAL: COPPER ALLOY.
 2. FINISH: ELECTRO TIN PLATE.
THICKNESS=100MICRONS MINIMUM.
 3. PRODUCT SPECIFICATION: PS-19195-001.
 4. PART USED TO CONNECT COPPER OR ALUMINUM SINGLE MAGNET WIRE OR MULTIPLE WIRE COMBINATIONS.
 5. COMBINATIONS OF WIRES ARE EITHER MAGNET WIRE TO MAGNET WIRE OR MAGNET WIRE TO LEAD WIRE.

EC NO: ETC2003-0089 DRWN: JPAWLICK 2002/09/27 CHKD: JPAWLICK 2002/09/27 APPR: RDEROSS 2002/09/27	QUALITY SYMBOLS	GENERAL TOLERANCES (UNLESS SPECIFIED)		SCALE 2:1	DESIGN UNITS INCH	THIRD ANGLE PROJECTION	REVISE ON CAD ONLY
	▼ = 0 ▽ = 0	4 PLACES	± ---	± ---	DIMENSION STYLE IN/MM		TITLE MAGKRIMP ROUND RING 10,380-52,480 CMA
		3 PLACES	± ---	± ---	DRAWN BY JPAWLICK	DATE 02/04/04	
		2 PLACES	± ---	± .010	CHECKED BY JPAWLICK	DATE 02/04/04	MOLEX INCORPORATED MATERIAL NO SEE CHART DOCUMENT NO SD-19195-016 SHEET NO 1 OF 1
		1 PLACE	± 0.25	± ---	APPROVED BY RDEROSS	DATE 02/04/04	THIS DRAWING CONTAINS INFORMATION THAT IS PROPRIETARY TO MOLEX INCORPORATED AND SHOULD NOT BE USED WITHOUT WRITTEN PERMISSION
		ANGULAR ± 2 °		DRAFT WHERE APPLICABLE MUST REMAIN WITHIN DIMENSIONS			