

Sound Processor Series for Car Audio

6ch Electronic Volume for 5.1ch Car Theater



BD3433K

No.10085EAT01

●Description

The 6ch electronic volume for 5.1ch car theater is an electronic volume device incorporating 6ch input selector (front/rear independently-controlled), input gain amp (front/rear independently-controlled), 6ch independently-controlled electronic volume (capable of soft switching), 6ch output gain amp (2-line outputs), differential input for monophonic signals, electronic volume for monophonic signals (capable of soft switching), and mixing circuit for monophonic signals. It is provided with the high performance functions to achieve low distortion and low noise and, furthermore, to output the 5.6Vrms high voltage. The QFP44 package which realizes savings in space and components is used to be suited for applications such as car audio and car navigation.

●Features

- 1) High voltage output of 5.6Vrms achieved
Provided with 2 lines of outputs to the built-in power amp and the pre-out
- 2) Volume switching noise is reduced by installing the advanced 6ch independently-controlled electronic volume with soft switching.
- 3) High performance capabilities such as low distortion rate (0.001%), low noise (3 μ Vrms)
- 4) Different signals from the different sources can be outputted to the front and rear sections independently and this provides an option of rear-seat entertainment.
- 5) Incorporate the monophonic differential input circuit suited for inputting navigation voice and telephone speech. These monophonic voices can be mixed with the front output signals.
- 6) Adopting the Bi-CMOS process achieves low current consumption, which contributes to energy-saving design. It has the advantage in quality over scaling down and heat reduction of the internal regulators.
- 7) 3-wire serial interface supported for both of 3.3V and 5V microcomputers

●Applications

For car audio equipment, car navigation equipment, and hybrid systems.

● **Absolute maximum ratings**(Ta=25°C)

Item	Symbol	Terminal	Rating	Unit
Terminal applied voltage	VCC-GND	※1	10	V
	VEE-GND	※1	-10	
	VLGC	Control terminal (CS/SCK/SDA) ※1	5.5	
Power dissipation	Pd	※2	850	mW
Operating Temperature	Topr		-40 ~ +85	°C
Storage Temperature	Tastg		-55 ~ +125	°C

※1 : Maximum applied voltage based on GND.

※2 : Derating is done 8.5mW/°C for Ta>25°C.

Mounted on (Material: FR4 glass epoxy board (beaten-copper area <3%), size:70mm × 70mm × 1.6mm)

※3 : No radiation-proof design

● **Operating conditions** (Operating condition at Ta=25°C)

Item	Symbol	Terminal	Condition	MIN	TYP	MAX	Unit
Operating power supply voltage	VCC	VCC-GND	※1	7.0	9	9.5	V
	VEE	VEE-GND		-9.5	-9	-7.0	V

※1 : When it is within operating temperature, basic circuit function is guaranteed within operating voltage. However, setting constant and element, voltage setting, and temperature setting are required when in operation. Other than the condition stipulated within the range, the standard value of electrical characteristics could not be guaranteed, while original function is retained.

● **Electrical characteristics**

Abbreviations :

“**Giaj**” : Setting value of Input gain adjustor

“**Vol.Ex**” : Setting value of volume for monaural signal

“**Goajb**” : Setting value of output gain adjustor B

“**Vol**” : Setting value of volume (1~6ch)

“**Goaja**” : Setting value of output gain adjustor A

“**Mix**” : ON/OFF setting for mixing switch.

Measurement condition (Unless specified particularly) :

Ta=25°C, VCC=9V, VEE=-9V, Vin=1Vrms/1kHz, Load resistance=10kΩ, Load capacitance=10pF, Giaj=0dB, Vol=0dB, Goaja=0dB, Goajb=0dB, Vol.Ex=-∞dB, Mix=OFF

■ **General characteristics**

Item	Symbol	Condition	MIN	TYP	MAX	Unit
Current consumption	ICC		-	10	17	mA
	IEE		-17	-9	-	
VCO oscillation frequency	Fvco		-	400	-	kHz
Ripple rejection	RRc	Ripple = 0.1Vrms/ 1kHz (Input terminal AC short)	40	85	-	dB
	RRe	Ripple= 0.1Vrms/ 1kHz (Input terminal AC short)	30	70	-	dB
Reset operation voltage	VRS	Initialize all register data by Vcc<VRS → Vcc>VRS	-	3.4	-	V
Required time for Power on reset	TPOR	Minimum required time to reach 3V after Vcc voltage ON.	20	-	-	μsec

■ Logic circuit

Item	Symbol	Terminal	MIN	TYP	MAX	Unit
"H" level input voltage	VIH	CS, SCK, SDA	2.3	-	5.5	V
"L" level input voltage	VIL	CS, SCK, SDA	0	-	1.0	V
Input clock frequency	f _{SCK}	SCK	-	-	1.5	MHz

■ Volume circuit

Item	Symbol	Condition	MIN	TYP	MAX	Unit	
Voltage gain	GV		-1	0	1	dB	
Bandwidth	FW	Frequency, which drop -1dB towards 1kHz	100	-	-	kHz	
Slew rate	SR		-	1.65	-	V/μsec	
Maximum input voltage	VIM	THD+N = 1% , Vol = -10dB	3.8	4.25	-	Vrms	
Maximum output voltage	VOM1	THD+N = 1% Vol = +10dB	3.8	4.25	-	Vrms	
	VOM2		Goaja=+2.5dB	5	5.6		-
	VOM3		Goajb=-4.5dB	2.2	2.5		-
Input impedance	RI		70k	100k	130k	Ω	
Output impedance	RO		-	-	50	Ω	
Input gain setting value error	EGI	Output reference is Giaj=0dB Gij=6, 12 dB, Vin=0.1Vrms	-1	0	1	dB	
Volume setting value error	EV1	Vol=0dB Output standard	Vol=+23~+1, -1~-20dB (+23~+1dB at Vin=0.1Vrms)	-1.0	0	1.0	dB
	EV2		Vol=-21~-40dB	-1.5	0	1.5	
	EV3		Vol=-41~-60dB	-2.0	0	2.0	
	EV4		Vol=-61~-79dB	-3.0	0	3.0	
Volume maximum attenuation	VMU	Vol=-∞dB (mute) , BW=20~20kHz	-	-108	-85	dB	
Output gain setting value error	EGOA	Goaja=0dB Goajb=0dB Output standard	Goaja=+2.5dB	-1	0	1	dB
	EGOB		Goajb=-4.5dB	-1	0	1	
Gain balance between channels	CB		-1	0	1	dB	
Cross-talk between channels	CTC	BW=20~20kHz (Input terminal AC short)	85	106	-	dB	
Output noise voltage	VNO	BW=A-Weight (Input terminal AC short)	Vol=0dB	-	2.5	10	μVrms
Residual output noise voltage	VNR		Vol=-∞dB	-	2	10	
THD+N	THD	BW=20~20kHz, Vout=1Vrms	-	0.001	0.05	%	
Soft switching transition time	Tss1	Soft switching:ON	0.64 msec/dB	-	0.64	-	msec /dB
	Tss2		1.28 msec/dB	-	1.28	-	
	Tss3		2.56 msec/dB	-	2.56	-	
	Tss4		5.12 msec/dB	-	5.12	-	

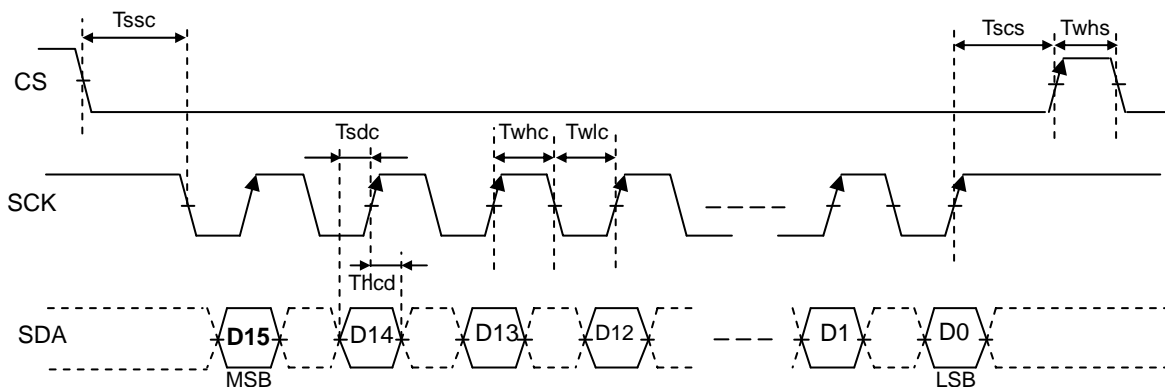
■ Monaural signal circuit

Common condition unless specified particularly :

Vol=-∞dB, Giaj=Goaja= Goajb=0dB, Vol.Ex=0dB, Mix=ON

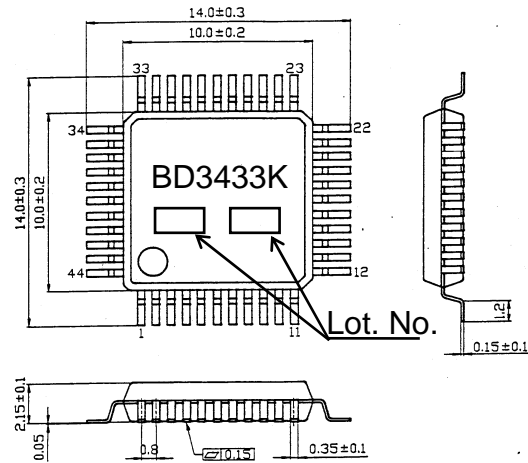
Item	Symbol	Condition	MIN	TYP	MAX	Unit		
Voltage gain	GVe	Phase inversion between input and output	-1.0	0	1.0	dB		
Maximum input voltage	VIMe	THD+N=1%, Vol.Ex=-10dB	3.8	4.25	-	Vrms		
Input impedance	Rle		19	27	35	kΩ		
Volume setting value error	EVe1	Vol.Ex=0dB Output standard Vol=+15~+1, -1~-20dB (+15~+1dB at Vin=0.1Vrms)	-1.0	0	1.0	dB		
	EVe2		-1.5	0	1.5			
	EVe3		-2.0	0	2.0			
	EVe4		-3.0	0	3.0			
Volume maximum attenuation	VMUe	Vol.Ex=-∞dB (mute) , BW=20~20kHz	-	-108	-85	dB		
Output noise voltage	VNOe	BW=A-Weight (Input terminal AC short)	Vol.Ex = 0dB		-	4.5	15	μVrms
Residual noise voltage	VNRe		Vol.Ex = -∞dB		-	3.5	10	
THD+N	THDe	BW=20~20kHz, Vout=1Vrms	-	0.002	0.05	%		
Common-mode signal rejection ratio	CMRR	BW=20~20kHz	40	60	-	dB		
Soft switching transition time	Tsse1	Soft switching:ON	0.64 msec/dB		-	0.64	-	msec /dB
	Tsse2		1.28 msec/dB		-	1.28	-	
	Tsse3		2.56 msec/dB		-	2.56	-	
	Tsse4		5.12 msec/dB		-	5.12	-	

●Timing chart



- When CS is “Low”, enable micro computer control data (SCK/SDA). (It doesn't work, when it is “High”),
- Data (SDA) reads at a leading edge of clock (SCK).
- Latch reads at a leading edge of CS. (SCK has to be kept as “High” after D0 acquisition)

● External Dimension

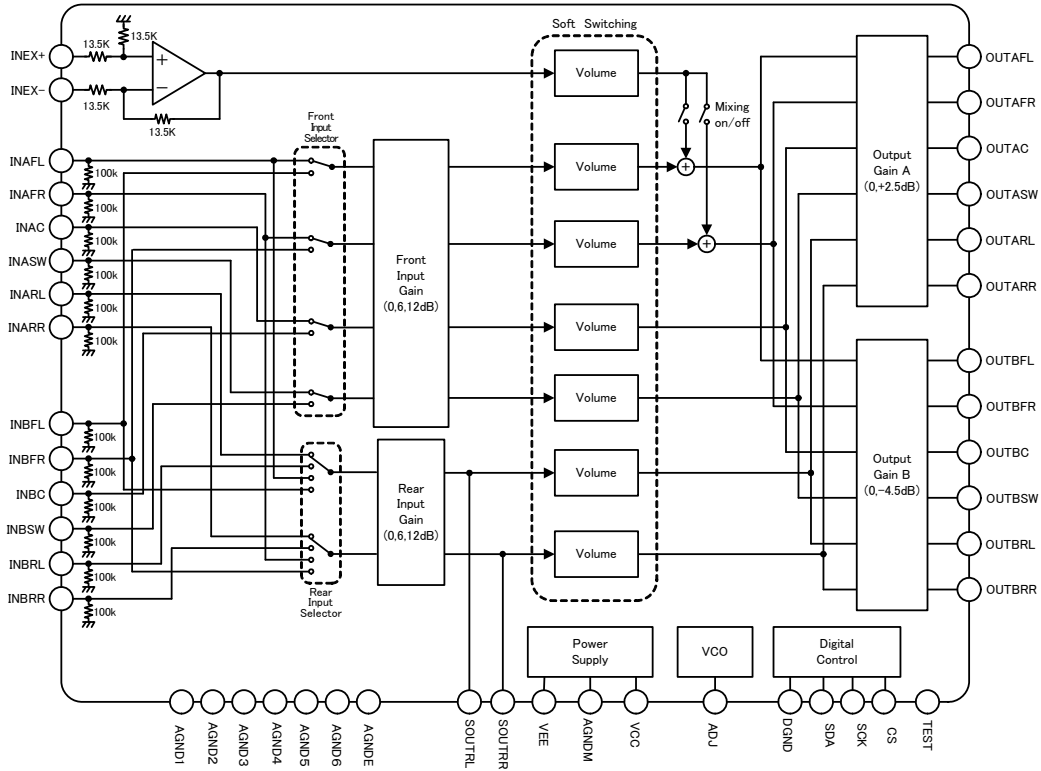


QFP44 (Unit : mm)

● Terminal Number, Terminal name :

Terminal Number	Terminal name	Terminal Number	Terminal name	Terminal Number	Terminal name	Terminal Number	Terminal name
1	AGNDE	12	INBFR	23	OUTAFR	34	DGND
2	INAFI	13	AGND4	24	OUTAC	35	SDA
3	INAFR	14	INBC	25	OUTASW	36	SCK
4	AGND1	15	INBSW	26	OUTARL	37	CS
5	INAC	16	AGND5	27	OUTARR	38	TEST
6	INASW	17	INBRL	28	OUTBFL	39	ADJ
7	AGND2	18	INBRR	29	OUTBFR	40	VEE
8	INARL	19	AGND6	30	OUTBC	41	AGNDM
9	INARR	20	SOUTRL	31	OUTBSW	42	VCC
10	AGND3	21	SOUTRR	32	OUTBRL	43	INEX+
11	INBFL	22	OUTAFL	33	OUTBRR	44	INEX-

●Block diagram



●Notes for use

1. Absolute Maximum Ratings;

It may cause failure if operation is beyond absolute maximum ratings of applied voltage or operating temperature. In case of failure, it is not possible to set short mode or open mode. If particular mode requires beyond absolute maximum ratings, please take a physical safety measure.

2. VEE electrical potential

Please minimize electrical potential of VEE terminal under any operational condition.

3. Thermal design

Please consider power dissipation (Pd) on actual operational condition and provide enough margins for thermal design.

4. Operation in intense electric field

Please note that malfunction may occur if operation is under intense electric field.

●Ordering part number

B	D
---	---

Part No.

3	4	3	3
---	---	---	---

Part No.

K

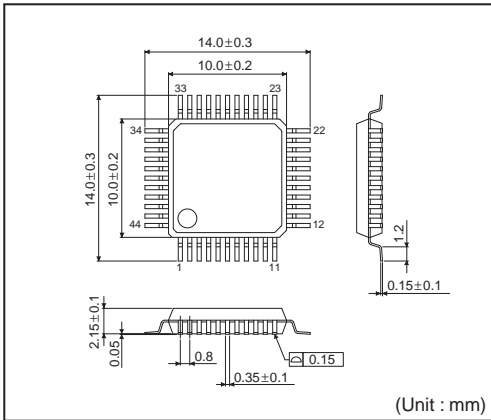
Package
K: QFP44

-

E	2
---	---

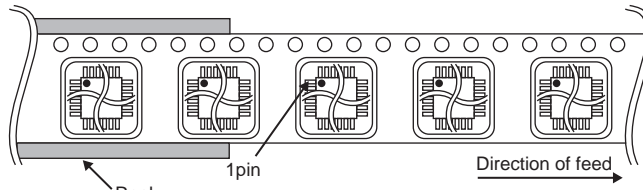
Packaging and forming specification
E2: Embossed tape and reel

QFP44



<Tape and Reel information>

Tape	Embossed carrier tape
Quantity	1000pcs
Direction of feed	E2 (The direction is the 1 pin of product is at the upper left when you hold reel on the left hand and you pull out the tape on the right hand)



*Order quantity needs to be multiple of the minimum quantity.

Notes

No copying or reproduction of this document, in part or in whole, is permitted without the consent of ROHM Co.,Ltd.

The content specified herein is subject to change for improvement without notice.

The content specified herein is for the purpose of introducing ROHM's products (hereinafter "Products"). If you wish to use any such Product, please be sure to refer to the specifications, which can be obtained from ROHM upon request.

Examples of application circuits, circuit constants and any other information contained herein illustrate the standard usage and operations of the Products. The peripheral conditions must be taken into account when designing circuits for mass production.

Great care was taken in ensuring the accuracy of the information specified in this document. However, should you incur any damage arising from any inaccuracy or misprint of such information, ROHM shall bear no responsibility for such damage.

The technical information specified herein is intended only to show the typical functions of and examples of application circuits for the Products. ROHM does not grant you, explicitly or implicitly, any license to use or exercise intellectual property or other rights held by ROHM and other parties. ROHM shall bear no responsibility whatsoever for any dispute arising from the use of such technical information.

The Products specified in this document are intended to be used with general-use electronic equipment or devices (such as audio visual equipment, office-automation equipment, communication devices, electronic appliances and amusement devices).

The Products specified in this document are not designed to be radiation tolerant.

While ROHM always makes efforts to enhance the quality and reliability of its Products, a Product may fail or malfunction for a variety of reasons.

Please be sure to implement in your equipment using the Products safety measures to guard against the possibility of physical injury, fire or any other damage caused in the event of the failure of any Product, such as derating, redundancy, fire control and fail-safe designs. ROHM shall bear no responsibility whatsoever for your use of any Product outside of the prescribed scope or not in accordance with the instruction manual.

The Products are not designed or manufactured to be used with any equipment, device or system which requires an extremely high level of reliability the failure or malfunction of which may result in a direct threat to human life or create a risk of human injury (such as a medical instrument, transportation equipment, aerospace machinery, nuclear-reactor controller, fuel-controller or other safety device). ROHM shall bear no responsibility in any way for use of any of the Products for the above special purposes. If a Product is intended to be used for any such special purpose, please contact a ROHM sales representative before purchasing.

If you intend to export or ship overseas any Product or technology specified herein that may be controlled under the Foreign Exchange and the Foreign Trade Law, you will be required to obtain a license or permit under the Law.



Thank you for your accessing to ROHM product informations.
More detail product informations and catalogs are available, please contact us.

ROHM Customer Support System

<http://www.rohm.com/contact/>