

CURRENT SENSE INDUCTORS

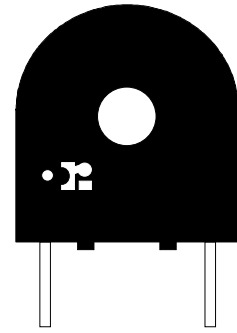
DESIGNED FOR SWITCHING POWER SUPPLY APPLICATIONS

HOLE THRU CENTER FOR PRIMARY WINDING

FREQUENCY RANGE 20KHZ OR GREATER

1 TURN PRIMARY PEAK SENSE CURRENT 20 AMPS

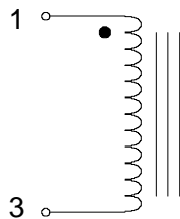
2500V RMS HIPOT



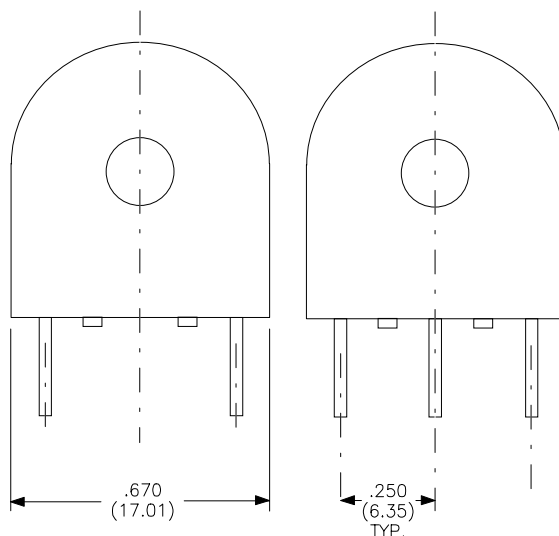
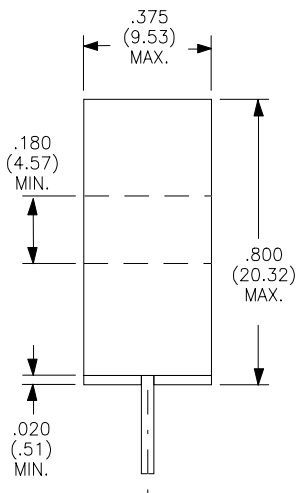
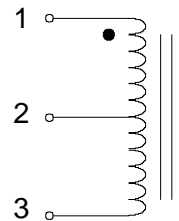
Electrical Specifications at 25°C

Part Number	Schematic Style	Secondary Turns	Secondary Induct. min. (mH)	DCR max. (Ω)	Terminating Resistance (Ω)	Pri. Unipolar Amp-microsec. Max. Rating	Pri. Bipolar Amp-microsec. Max. Rating
L-11001	A	50	5.0	0.70	50	150	300
L-11002	A	100	20.0	1.40	100	300	600
L-11003	A	200	80.0	4.70	200	600	1200
L-11004	A	300	180.0	11.00	300	900	1800
L-11011	B	50CT	5.0	0.70	50	150	300
L-11012	B	100CT	20.0	1.40	100	300	600
L-11013	B	200CT	80.0	4.50	200	600	1200
L-11014	B	300CT	180.0	11.00	300	900	1800

STYLE "A" SCHEMATIC



STYLE "B" SCHEMATIC



Physical Dimensions inches (mm)

- 1) Leads are 20 AWG
- 2) Lead length is .170 Min.

Specifications are subject to change without notice

I-SENSE - 2/96