

# Customer Information Sheet

DRAWING No.: S8101-46R

SHEET 2 OF 2

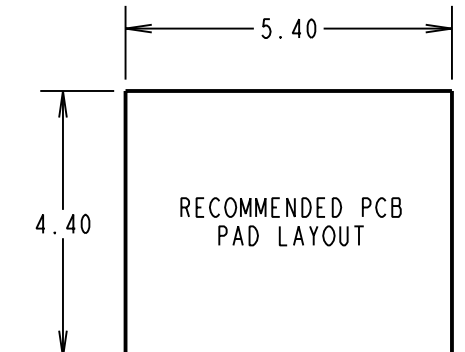
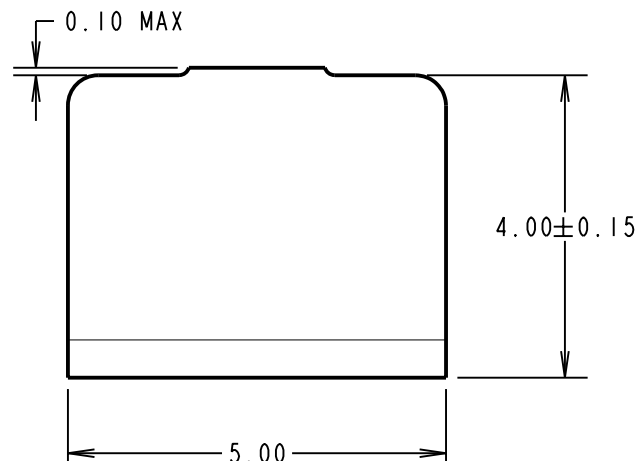
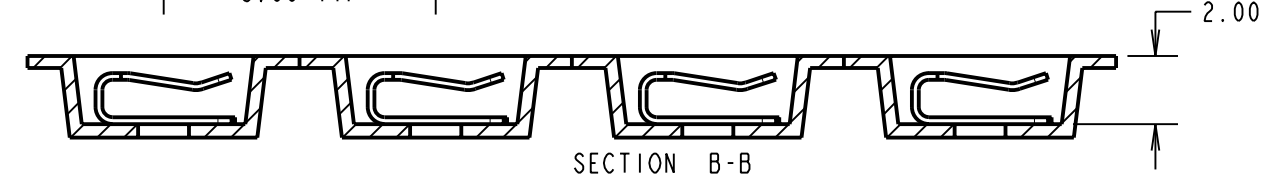
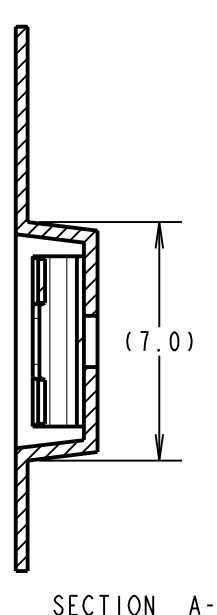
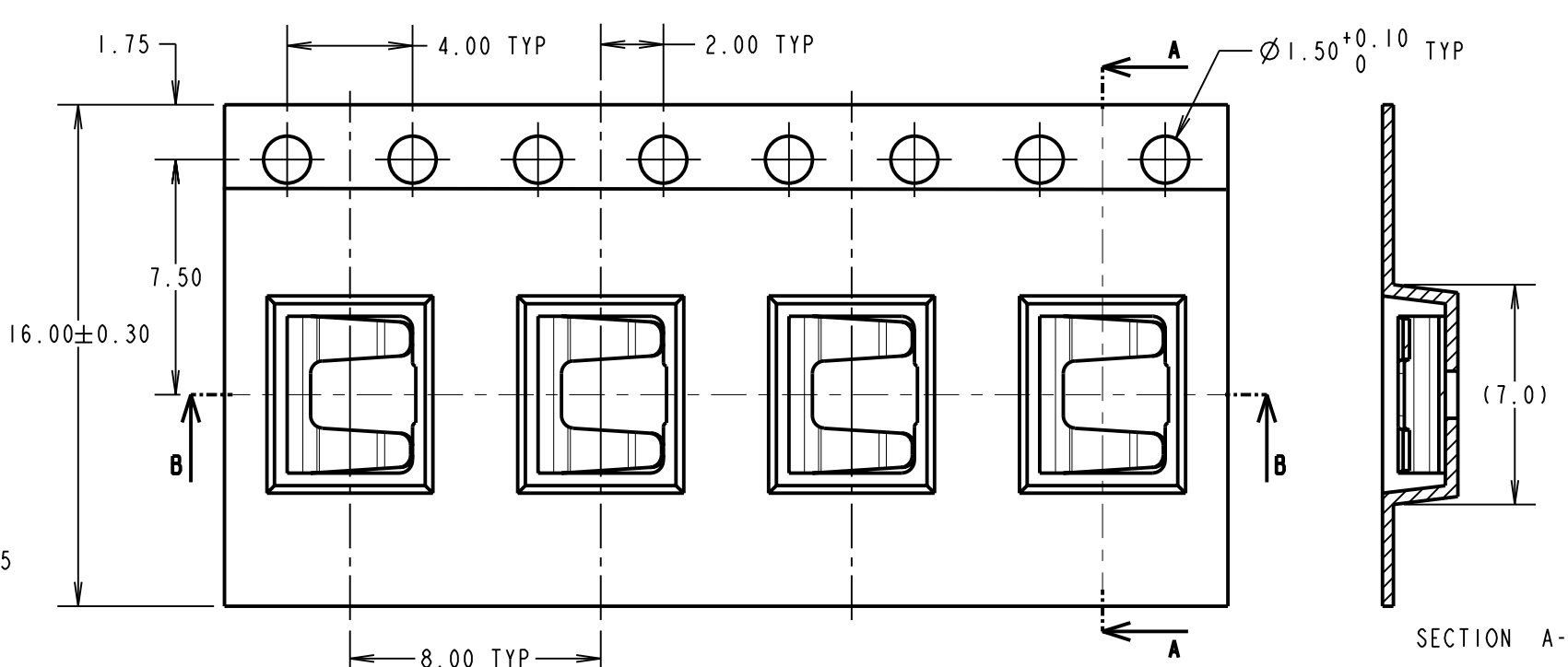
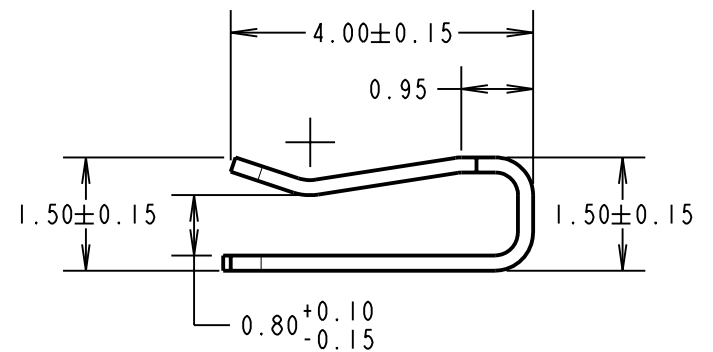
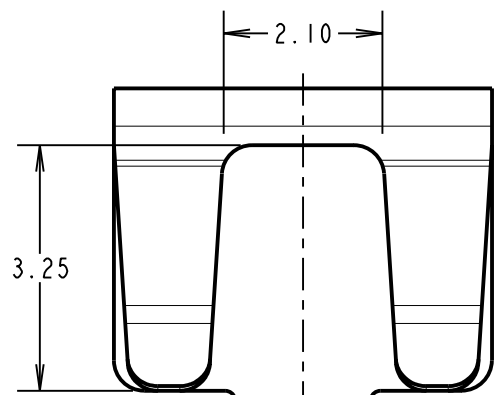
IF IN DOUBT - ASK

(C)

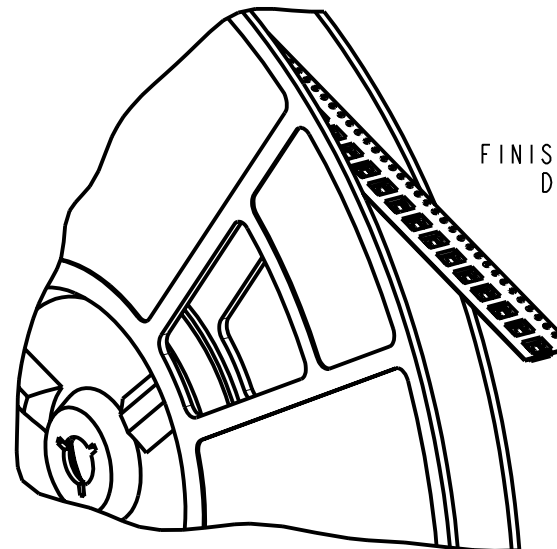
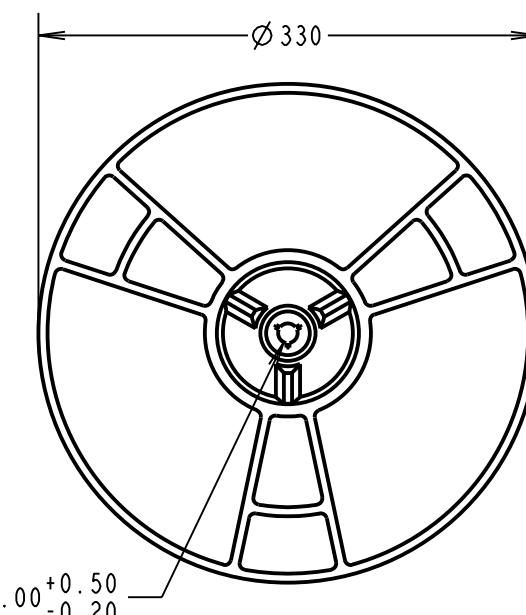
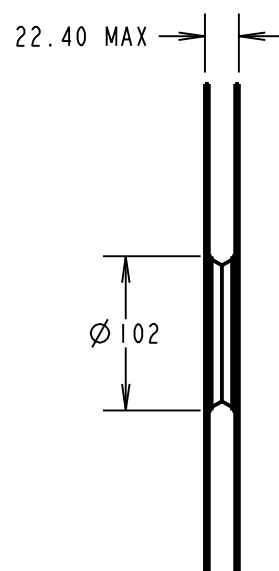
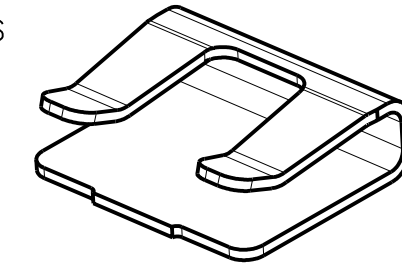
NOT TO SCALE

THIRD ANGLE PROJECTION

ALL DIMENSIONS IN mm



COMPONENT SPECIFICATION:  
 MATERIAL = PHOSPHOR BRONZE  
 FINISH = RoHS TIN OVER NICKEL  
 CAPACITY MAX. = 2 x Ø 1.0mm WIRES



MGP	3	18.02.10	10679
NAME	ISS.	DATE	C/NOTE
APPROVED: MGP			
CHECKED: SF			
DRAWN: R. ADDE			
CUSTOMER REF.:			
ASSEMBLY DRG:			

NOTES:  
 1. QUANTITY OF COMPONENTS PER REEL = 3000.  
 2. THIS PRODUCT IS TAPED AND REELED IN ACCORDANCE WITH EIA-481 (ELECTRONICS INDUSTRIES ASSOCIATION).

<b>HARWIN</b>			THIS DRAWING AND ANY INFORMATION OR DESCRIPTIVE MATTER SET OUT HEREON ARE CONFIDENTIAL AND COPYRIGHT PROPERTY OF THE HARWIN GROUP AND MUST NOT BE DISCLOSED, LOANED, COPIED OR USED FOR MANUFACTURING, TENDERING OR FOR ANY OTHER PURPOSE WITHOUT THEIR WRITTEN PERMISSION.	TOLERANCES X. = ±1mm X.X = ±0.25mm X.XX = ±0.10mm X.XXX = ±0.01mm ANGLES = ±5° UNLESS STATED	MATERIAL: SEE ABOVE FINISH: S/AREA: mm <sup>2</sup>	TITLE: SMT CABLE CLIP Ø1.0mm IN TAPE & REEL DRAWING NUMBER: <b>S8101-46R</b>	SHT 2 OF 2
HARWIN USA TEL: 603 893 5376 FAX: 603 893 5396 mis@harwin.com	HARWIN Europe (UK) TEL: 023 9231 4545 FAX: 023 9231 4590 mis@harwin.co.uk	HARWIN Asia TEL: +65 6 779 4909 FAX: +65 6 779 3868 mis@harwin.com.sg		MGP 3 18.02.10 10679 APPROVED: MGP CHECKED: SF DRAWN: R. ADDE CUSTOMER REF.: ASSEMBLY DRG:			