

**PLEASE CHECK WWW.MOLEX.COM FOR LATEST PART INFORMATION**

**Part Number:** **0875691020**  
**Status:** **Active**  
**Overview:** milligrid  
**Description:** 2.00mm (.079") Strain Relief for Dual Row IDT, 20 circuits

**Documents:**

[3D Model](#) [Product Specification PS-87568-004 \(PDF\)](#)  
[Drawing \(PDF\)](#) [RoHS Certificate of Compliance \(PDF\)](#)

**General**

Product Family	Accessories
Series	87569
Component Type	Strain Relief
Overview	milligrid
Product Literature Order No	987650-1991
Product Name	Milli-Grid™

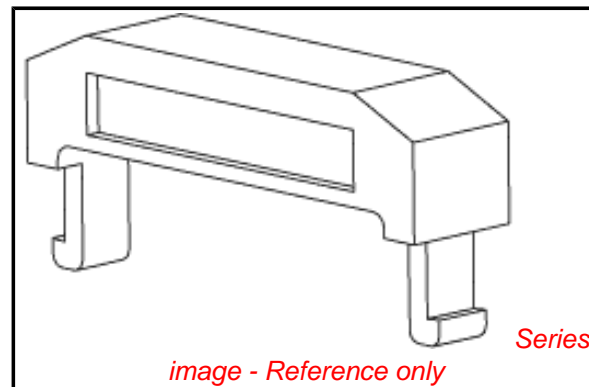
**Physical**

Circuits (Loaded)	20
Color - Resin	Black
Gender	N/A
Material - Resin	High Temperature Thermoplastic
Number of Rows	2
Packaging Type	Bag

**Material Info**

**Reference - Drawing Numbers**

Product Specification	PS-87568-004
Sales Drawing	SD-87569-008



**EU RoHS**

**ELV and RoHS  
Compliant**  
**REACH SVHC  
Contains SVHC: No**  
**Halogen-Free  
Status**

**China RoHS**



**Need more information on product  
environmental compliance?**

Email [productcompliance@molex.com](mailto:productcompliance@molex.com)  
 For a multiple part number RoHS Certificate of  
 Compliance, [click here](#)

Please visit the [Contact Us](#) section for any  
 non-product compliance questions.

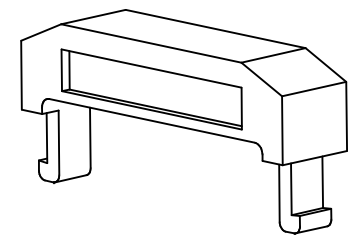
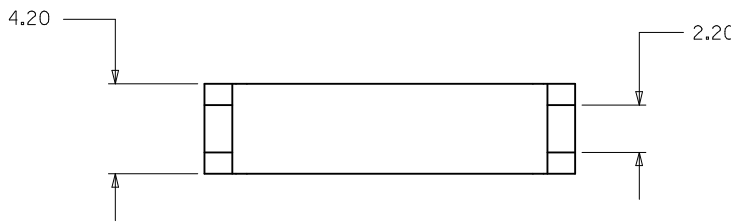
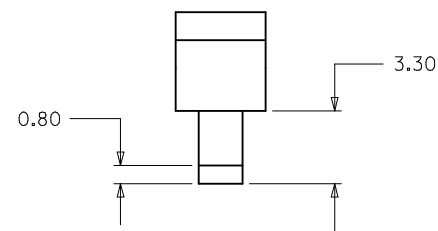
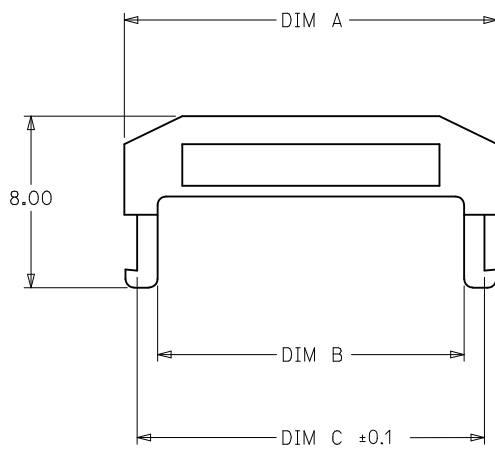
**Search Parts in this Series**

[87569Series](#)

**Use With**

PCB Receptacle

ENGINEERING NUMBER	CKT. SIZE	A	B	C
87569-1010	10	15.40	12.20	14.25
87569-1012	12	17.40	14.20	16.25
87569-1014	14	19.40	16.20	18.25
87569-1016	16	21.40	18.20	20.25
87569-1020	20	25.40	22.20	24.25
87569-1022	22	27.40	24.20	26.25
87569-1024	24	29.40	26.20	28.25
87569-1026	26	31.40	28.20	30.25
87569-1030	30	35.40	32.20	34.25
87569-1032	32	37.40	34.20	36.25
87569-1034	34	39.40	36.20	38.25
87569-1040	40	45.40	42.20	44.25
87569-1044	44	49.40	46.20	48.25
87569-1050	50	55.40	52.20	54.25



87569 - 1 0 \* \*  
 ↳ CKT. SIZE

NOTES

1. MATERIAL : THERMOPLASTIC, UL94V-0 BLACK
2. FOR ILLUSTRATION PURPOSES A 12 CIRCUIT SIZE PART IS SHOWN.
3. FOR ALL OTHER CIRCUIT SIZES CONTACT FACTORY.

ADD 32CKT OPTION EC NO: S2010-0273 DRWN:SKANG CHKD:ATSEE APPR:MLONG	2009/09/28 2009/11/13 2009/11/17	DESCRIPTION REV	QUALITY SYMBOLS	GENERAL TOLERANCES (UNLESS SPECIFIED)		DIMENSION STYLE MM ONLY		SCALE NTS	DESIGN UNITS METRIC	THIRD ANGLE PROJECTION			
			$\nabla_A = 0$ $\nabla_C = 0$ $\nabla_F = 0$	4 PLACES	mm	INCH	DRAWN BY MSAKTHI	DATE 1999/02/25	TITLE MGRID, 2MM DUAL ROW IDT				
				3 PLACES	± ---	± ---	CHECKED BY JSGOH	DATE 1999/07/19					
				2 PLACES	± 0.2	± ---	APPROVED BY MLONG	DATE 2009/11/13	MATERIAL NO. SEE TABLE		DOCUMENT NO. SD-87569-008		SHEET NO. 1 OF 1
DRAFT WHERE APPLICABLE MUST REMAIN WITHIN DIMENSIONS				ANGULAR ± 3 °		THIS DRAWING CONTAINS INFORMATION THAT IS PROPRIETARY TO MOLEX INCORPORATED AND SHOULD NOT BE USED WITHOUT WRITTEN PERMISSION							