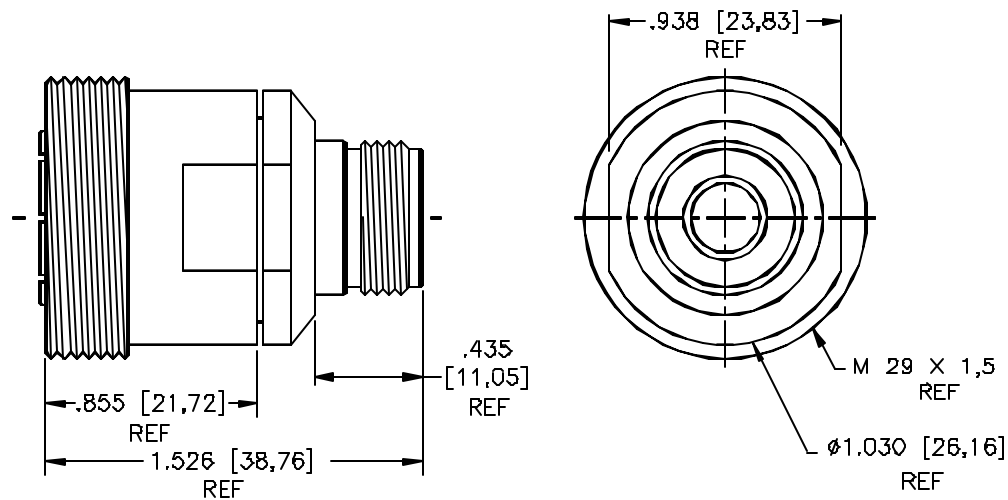


Model 6260 7/16 DIN Adapter 7/16 DIN Female to Type N Female



Pomona's 7/16 DIN adapters are made in the US and feature silver plated brass bodies, Teflon insulation and silver plated, Beryllium Copper female and Brass male center contacts.

FEATURES:

- Reduced intermodulation generation
- Improved VSWR
- More stable electrical and mechanical connection over type N
- Peak power rating of 40 kW compared to 10kW for type N
- Higher contact pressure means lower contact resistance and better heat dissipation for greater average power handling
- Greater resistance to environmental forces
- Coupling mechanism provides higher contact pressure and full circumference contact
- Longer, more durable and long-term reliable conductors
- Longer service life under harsh conditions
- Interface dimensions and coupling nut torque is 10 times greater than type N

Available from most Pomona distributors. Call for price and availability.

Model 6260 Specifications:

Impedance	50 Ohms
Frequency Range:	DC - 7.5 GHz
Insertion Loss:	< .01 dB $\sqrt{\text{Frequency GHz}}$
VSWR (Max):	< 1.10 : 1 @ DC - 7.5 GHz
3 rd Order IM -dBc:	> -150 dBc

All dimensions are in inches. Tolerances (except noted): .xx = ±.02" (.51 mm), .xxx = ± .005" (.127 mm).
All specifications are to the latest revisions. Specifications are subject to change without notice.
Registered trademarks are the property of their respective companies. Made in USA