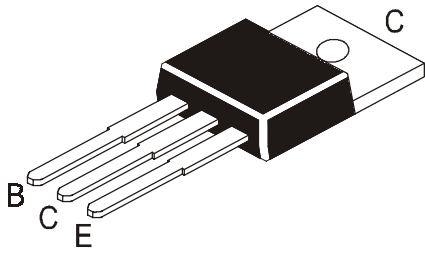


NPN SILICON PLANAR POWER TRANSISTOR

BD707



TO-220
Plastic Package

For use in Power Linear and Switching Applications

ABSOLUTE MAXIMUM RATINGS

DESCRIPTION	SYMBOL	VALUE	UNIT
Collector Base Voltage	V_{CBO}	60	V
Collector Emitter Voltage	V_{CER}	60	V
Collector Emitter Voltage	V_{CEO}	60	V
Emitter Base Voltage	V_{EBO}	5	V
Collector Current	I_C	12	A
Collector Peak Current	I_{CM}	18	
Base Current	I_B	5	A
Power Dissipation @ $T_c \leq 25^\circ C$	P_{tot}	75	W
Operating & Storage Junction Temperature Range	T_j, T_{stg}	- 65 to +150	$^\circ C$

THERMAL RESISTANCE

Junction to Case	$R_{th(j-c)}$	1.67	$^\circ C/W$
Junction to Ambient	$R_{th(j-a)}$	70	$^\circ C/W$

ELECTRICAL CHARACTERISTICS ($T_c=25^\circ C$ Unless Specified Otherwise)

DESCRIPTION	SYMBOL	TEST CONDITION	MIN	TYP	MAX	UNIT
Collector Cut off Current	I_{CBO}	$V_{CB}=60V, I_E=0$			100	μA
		$T_c=150^\circ C$ $V_{CB}=60V, I_E=0$			1.0	mA
Collector Cut off Current	I_{CEO}	$V_{CE}=30V, I_B=0$			100	mA
Emitter Cut off Current	I_{EBO}	$V_{EB}=5V, I_C=0$			1.0	mA
Collector Emitter Sustaining Voltage	$V_{CEO(sus)}^*$	$I_C=100mA, I_B=0$	60			V
Collector Emitter Saturation Voltage	$V_{CE(sat)}^*$	$I_C=4A, I_B=0.4A$			1.0	V
Knee Voltage	V_{CEK}^*	$I_C=3A, I_B=**$			0.4	V
Base Emitter on Voltage	$V_{BE(on)}^*$	$I_C=4A, V_{CE}=4V$			1.5	V
DC Current Gain	h_{FE}^*	$I_C=0.5A, V_{CE}=2V$	40		400	
		$I_C=2A, V_{CE}=2V$	30			
		$I_C=4A, V_{CE}=4V$	15		150	
		$I_C=10A, V_{CE}=4V$	5			
Transition frequency	f_T	$I_C=300mA, V_{CE}=3V$	3			MHz

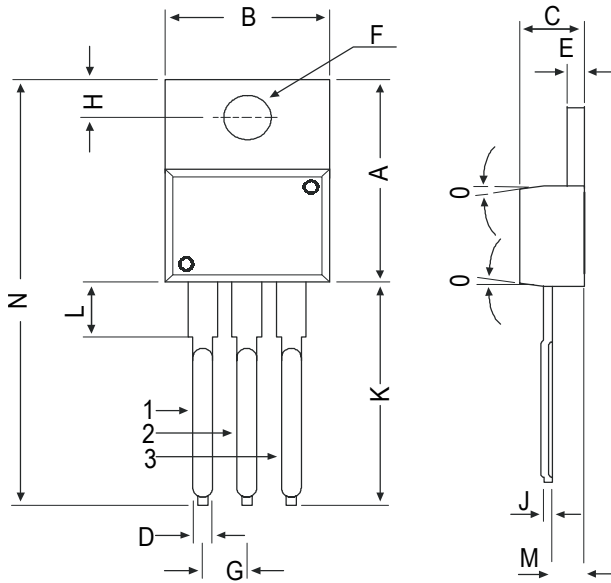
*Pulsed : Pulse duration =300 μs , duty cycle1.5%

**Value for which $I_C=3.3A$ @ $V_{CE}=2V$

BD707

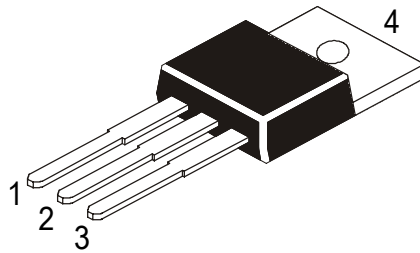
**TO-220
Plastic Package**

TO-220 Plastic Package



DIM	MIN	MAX
A	14.42	16.51
B	9.63	10.67
C	3.56	4.83
D	—	0.90
E	1.15	1.40
F	3.75	3.88
G	2.29	2.79
H	2.54	3.43
J	—	0.56
K	12.70	14.73
L	2.80	4.07
M	2.03	2.92
N	—	31.24
O	7 DEG	

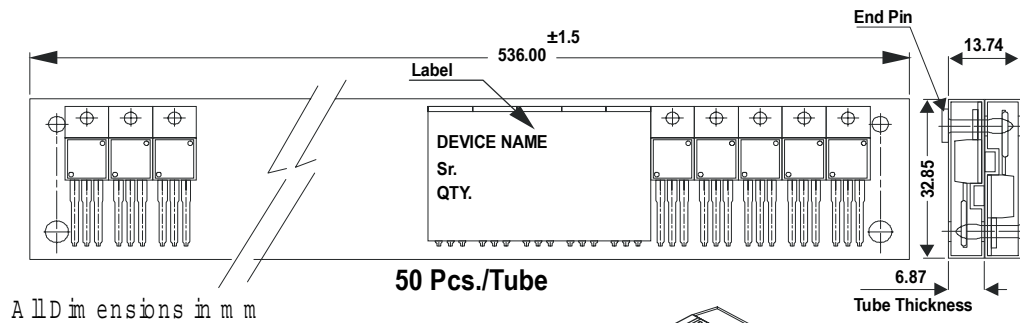
All dimensions in mm.



Pin Configuration

1. Base
2. Collector
3. Emitter
4. Collector

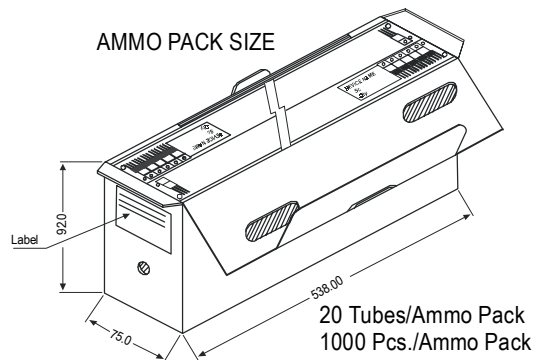
TO-220 Tube Packing



All dimensions in mm

50 Pcs./Tube

AMMO PACK SIZE



20 Tubes/Ammo Pack
1000 Pcs./Ammo Pack

Packing Detail

PACKAGE	STANDARD PACK		INNER CARTON BOX		OUTER CARTON BOX		
	Details	Net Weight/Qty	Size	Qty	Size	Qty	Gr Wt
TO-220 / FP	200 pcs/polybag	396 gm/200 pcs	3" x 7.5" x 7.5"	1.0K	17" x 15" x 13.5"	16.0K	36 kgs
	50 pcs/tube	120 gm/50 pcs	3.5" x 3.7" x 21.5"	1.0K	19" x 19" x 19"	10.0K	29 kgs