

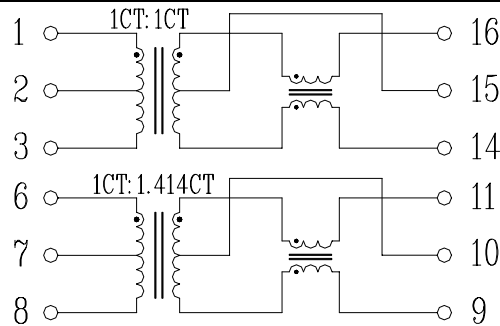
Feature

Networking Components



Electrical Specifications @ 25°C							
Part Number	Turns Ratio (Pri:Sec±5%)	OCL (uH)	Cw/w (pF Max.)	L.L (uH Max.)	DCR (Ω Max.)	HI-POT (Vrms)	Primary Pins
TS7010C	1CT:1CT/1CT:1.414CT	200-450	20	0.3	0.6	1500	1-3, 6-8

Schematic



Mechanical

