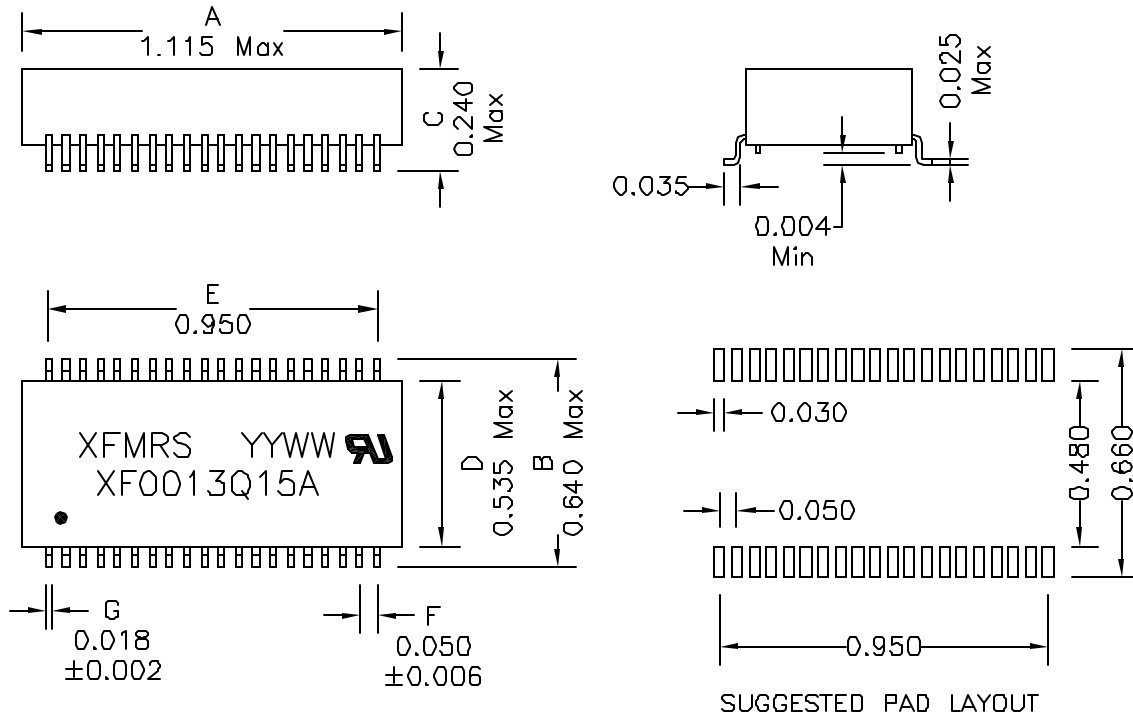
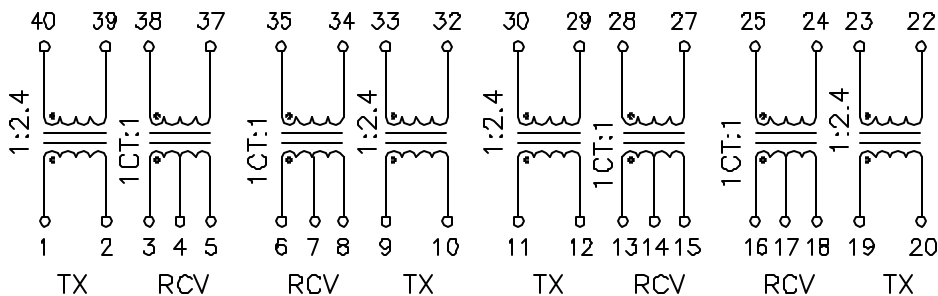


1. Dimensions:



2. Schematic:



3. Electrical Specifications: @25°C

- Isolation: 1500 Vrms (PRI to SEC)
- TX Turns Ratio: 1:2.4 (PRI:SEC)
- RCV Turns Ratio: 1CT:1 (PRI:SEC)
- PRI OCL: 1.50mH Typical @100KHz 50mV
- Cw/w: 35pF Maximum @100KHz 50mV (PRI/SEC)
- PRI LL: 0.5uH Maximum @100KHz 50mV (short sec)
- Pri DCR: 0.80 Ohms Max
- Crosstalk: -60dB Min (0.1 to 5MHz)

Notes:

1. Solderability: Leads shall meet MIL-STD-202B, Method 208H for solderability.
2. Flammability: UL94V-0
3. ASTM oxygen index: > 28%
4. Insulation System: Class F 155°C. UL file E151556
5. Operating Temperature Range: All listed parameters are to be within tolerance from -40°C to +85°C
6. Storage Temperature Range: -55°C to +125°C
7. Aqueous wash compatible
8. SMD Lead Coplanarity: ±0.004"(0.102mm)
9. Electrical and mechanical specifications 100% tested
10. RoHS Compliant Component
11. UL60950 Recognized for Supplementary Insulation.

DOC. REV: A/6

PROPRIETARY

Document is the property of XFMRS Group & is not allowed to be duplicated without authorization.

XFMRS Inc www.XFMRS.com		Title: T1/E1/CEPT QUAD PORT	
UNLESS OTHERWISE SPECIFIED TOLERANCES: .xxx ±0.010		P/N: XFO013Q15A	REV. A
Dimensions in INCH		DWN. 罗振江	Sep-18-07
SHEET 1 OF 1		CHK. 廖玉坤	Sep-18-07
		APP. Joe Huff	Sep-18-07