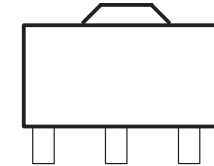


- 3-Terminal Regulators
- Output Current Up to 100 mA
- No External Components Required
- Internal Thermal-Overload Protection
- Internal Short-Circuit Current Limiting
- Provided Pb-Free packages from the end of 2004


 TO-92
79L08ACZ

description

This series of fixed negative-voltage integrated-circuit voltage regulators is designed for a wide range of applications. These include on-card regulation for elimination of noise and distribution problems associated with single-point regulation. In addition, they can be used to control series pass elements to make high-current voltage-regulator circuits. One of these regulators can deliver up to 100 mA of output current. The internal current-limiting and thermal-shutdown features make them essentially immune to overload. When used as a replacement for a zener-diode and resistor combination, these devices can provide effective improvement in output impedance of two orders of magnitude, with lower bias current.


 SOT-89
79L08CPK COMMON INPUT OUTPUT

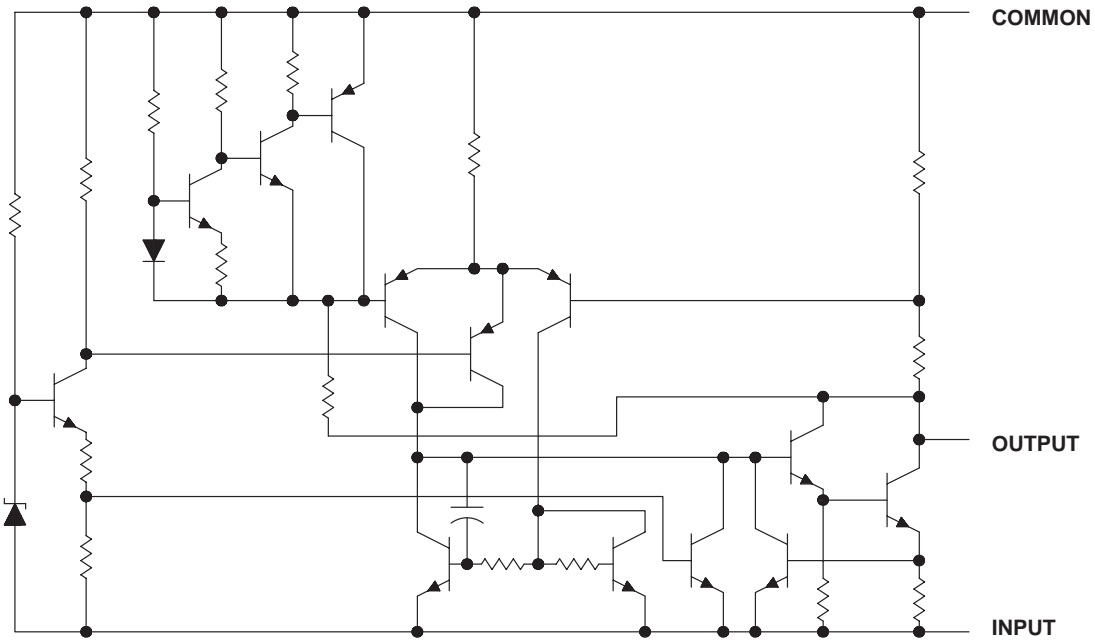
electrical characteristics at specified virtual junction temperature, $V_I = -14V$, $I_O = 40mA$ (unless otherwise noted)

PARAMETER	TEST CONDITIONS	T ‡	79L06			UNIT
			MIN	TYP	MAX	
Output voltage		25°C	-7.7	-8	-8.3	V
	$I_O = 1 \text{ to } 40\text{mA}$, $V_I = -10.5\text{V to } -23\text{V}$ $I_O = 1\text{mA to } 70\text{mA}$	Full range	-7.6		-8.4	
Input voltage regulation	$V_I = -10.5\text{V to } -23\text{V}$	25°C		42	200	mV
	$V_I = -11\text{V to } -23\text{V}$			36	150	
Ripple rejection	$V_I = -11\text{V to } -23\text{V}$ $f = 120 \text{ Hz}$	25°C	37	46		dB
Output voltage regulation	$I_O = 1 \text{ mA to } 40\text{mA}$	25°C		15	50	mV
	$I_O = 1 \text{ mA to } 100\text{mA}$			30	100	
Output noise voltage	$f = 10 \text{ Hz to } 100 \text{ kHz}$	25°C		54		µV
Dropout voltage		25°C		1.7		V
Bias current		25°C		3	6	mA
		125°C			5.5	
Bias current change	$V_I = -11\text{V to } -23\text{V}$	Full range			1.5	mA
	$I_O = 1 \text{ mA to } 40 \text{ mA}$				0.1	

‡ Pulse-testing techniques maintain T_J as close to T_A as possible. Thermal effects must be taken into account separately. All characteristics are measured with a 0.33-µF capacitor across the input and a 0.1-µF capacitor across the output. Full range for the 79L08 is $T_J = 0^\circ\text{C to } 70^\circ\text{C}$

WS 79L08

equivalent schematic



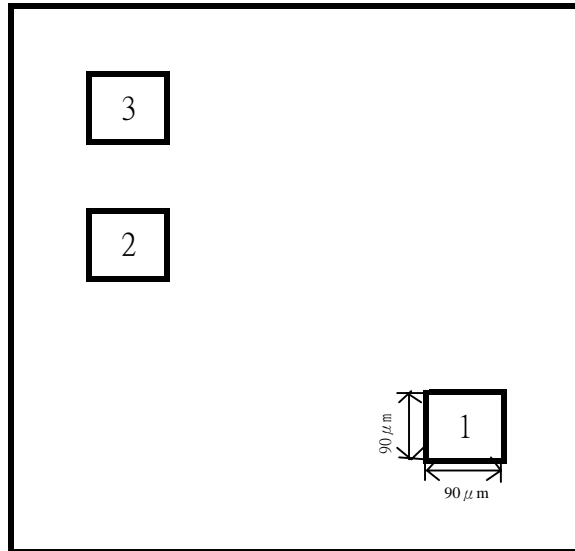
absolute maximum ratings over operating free-air temperature range (unless otherwise noted)†

Input voltage: 79L08	-30V
Operating free-air, case, or virtual junction temperature.....	150 °C
Lead temperature 1.6 mm (1/16 inch) from case for 10 seconds	260 °C
Storage temperature range, T_{stg}	-65 °C to 150 °C

recommended operating conditions

79L08	MIN	MAX	UNIT
Input voltage, V_I	-10.5	-23	v
Output current, I_O		100	mA
Operating virtual junction temperature, T_J	0	70	°C

Pad Location WS79L00



chip size 1.15 x 1.35mm

Pad Location Coordinates

Pad N	Pad Name	X(μ m)	Y(μ m)
1	Ground	1150	115
2	Input	115	690
3	Output	115	950