

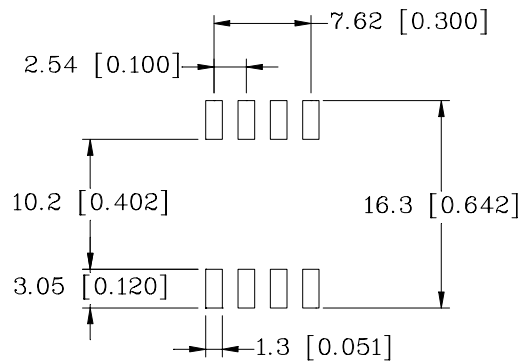
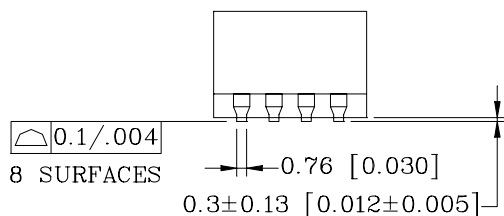
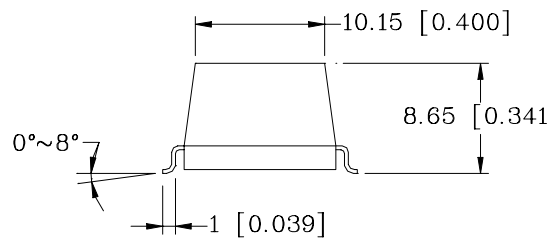
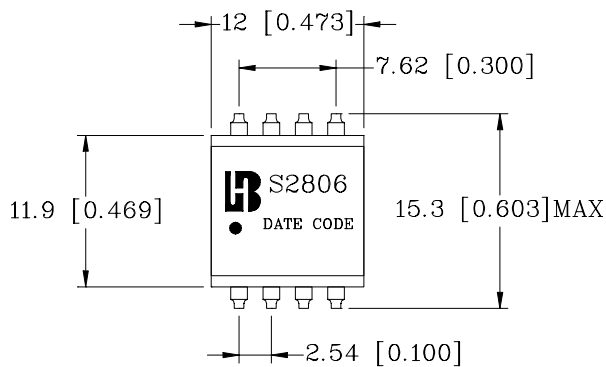
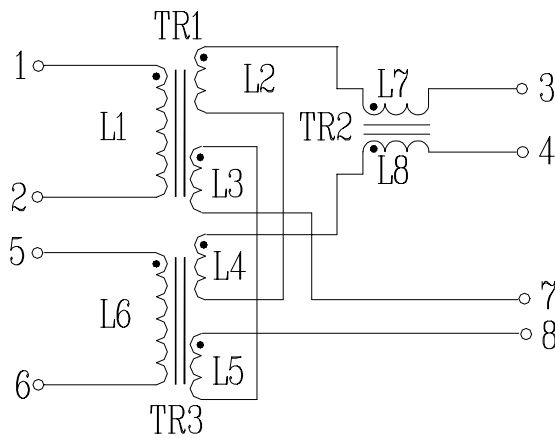
HYERID XFMR

P/N:S2806 DATA SHEET

A. Electrical Specifications@ 25°C :

- 1.OCL : 280 $\mu\text{H}\pm 30\%$ @ 100KHz/50mVrms PIN 1-2 , 5-6
- 2.DCR : 0.16 Ω Max PIN 1-2 , 5-6
- 3.DCR : 0.640 Ω Max PIN 3-4
- 4.DCR : 0.320 Ω Max PIN 7-8
- 5.Isolation voltage : 500 Vrms

B. Schematic & Mechanical:



Dimensions: mm[Inches] Tolerances: ± 0.25 [0.01]

PCB Suggest pad layout