



### FEATURES

- RoHS compliant
- Toroidal construction
- Up to 3.5A I<sub>DC</sub>
- Inductance range from 10μH to 1.0mH
- Small footprint
- UL 94V-0 packaging materials
- Low DC resistance
- Guaranteed 3.0mm creepage and clearance between windings

### PRODUCT OVERVIEW

The 5200 series is a range of through-hole common mode chokes designed to attenuate up to 100MHz common mode noise where line filtering is required, such as high current switching power supplies and telecom applications.

### SELECTION GUIDE

Order Code	Inductance		DC Current	DC Resistance	Leakage Inductance
	Nom. mH	Range mH	Max. A	Max. mΩ	Max. μH
52305C	3.0	2.24-4.00	3.5	45	40
52505C	5.0	3.60-6.60	2.4	91	75
52705C	7.0	4.90-9.00	2.2	107	90
52106C	10.0	6.90-12.8	1.7	193	130

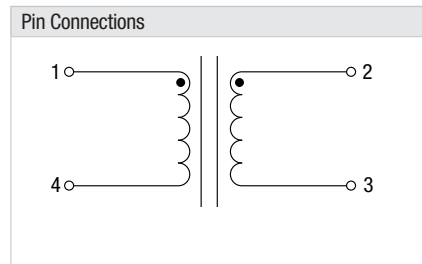
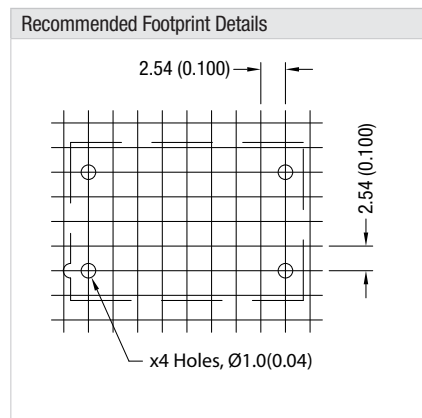
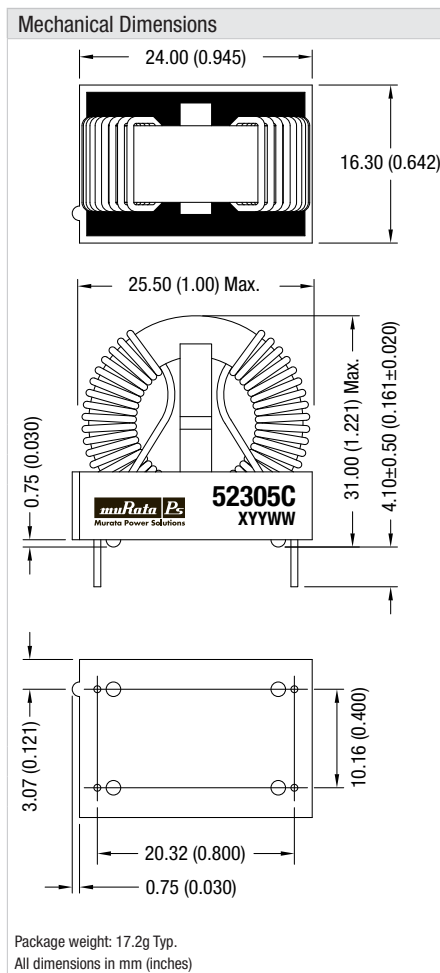
### ABSOLUTE MAXIMUM RATINGS

Operating free air temperature range	-40°C to 125°C
Storage temperature range	-40°C to 125°C
Isolation voltage	1500Vrms

### SOLDERING INFORMATION<sup>1</sup>

Peak wave solder temperature	260°C
Pin finish	Tin

### PACKAGE SPECIFICATIONS

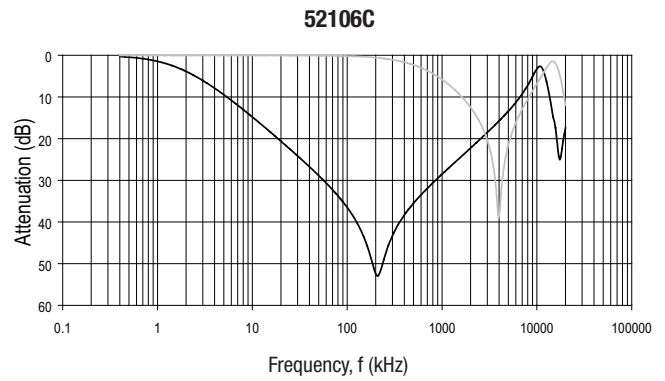
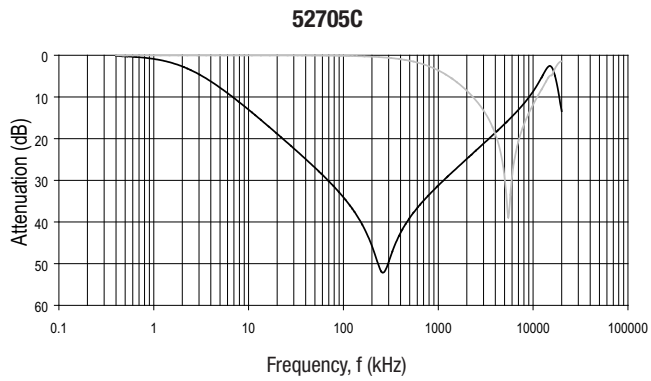
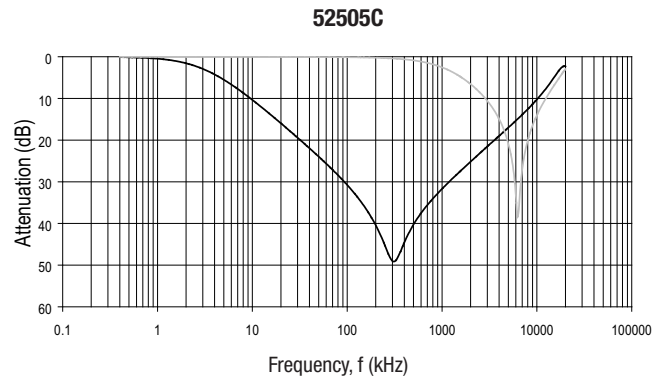
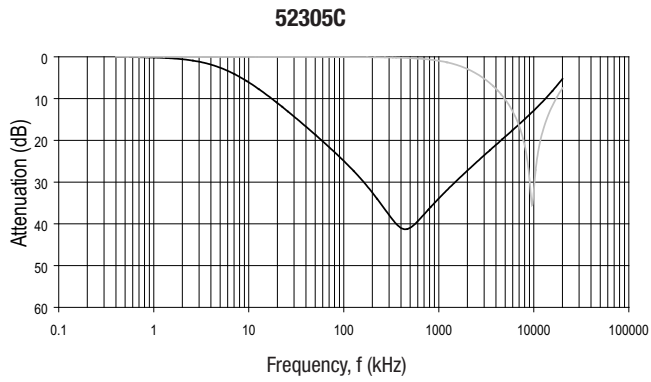


**Packaging**  
Supplied in trays (16 pieces per tray)

Specifications typical at T<sub>A</sub> = 25°C  
<sup>1</sup> For further information, please visit [www.murata-ps.com/rohs](http://www.murata-ps.com/rohs)



**COMMON AND DIFFERENTIAL MODE ATTENUATION VS FREQUENCY**



— Common Mode    - - - Differential Mode

