



Ordering number C12410
Description C12410_STRADA-SQ-A-T

Family	Strada-SQ	FWHM	Asym degrees
Type	Lens	Efficiency	93 %
LED	XM-L	cd/lm	-
Color	Clear	Gerber File	Available
Diameter	25 + 25 mm		
Height	9 mm		
Style	Square		Positioning: External position element / Automatic assembling li
Optic Material	PMMA		
Holder Material	-		
Fastening	Screw, glue		
Status	Ready		

Ordering number CA12411
Description CA12411_STRADA-SQ-A-T

Family	Strada-SQ	FWHM	Asym degrees
Type	Lens	Efficiency	93 %
LED	XM-L	cd/lm	0.510
Color	Clear	Gerber File	Available
Diameter	25 + 25 mm		
Height	9.15 mm		
Style	Square		Positioning: External position element / Automatic assembling li
Optic Material	PMMA		
Holder Material	-		
Fastening	Screw, tape		
Status	Ready		



PRODUCT DATASHEET Strada-SQ series

last update 28/9/2012



NOTE: The typical divergence will be changed by different color, chip size and chip position tolerance. The typical total divergence is the full angle measured where the luminous intensity is half of the peak value.



PRODUCT DATASHEET Strada-SQ series

last update 28/9/2012



GENERAL INFORMATION

- Product series especially designed & optimized for XM-L series of LEDs.
- Special care taken to make light distribution as uniform as possible.
- Fastening to heat sink with a PU foam adhesive tape of automotive grade. Please find fastening details by clicking link: http://www.ledil.com/datasheets/DataSheet_TAPE.pdf
- Fastening to PCB with appropriate adhesive. By clicking link below you can find Ledil recommended glue options.
http://www.ledil.com/datasheets/DataSheet_GLUES.pdf

NOTE 1: We advise customer to ensure the suitability and sufficiency of the bond in the end product. For example, mechanical stress, vibration and holes on the surface of the circuit board weaken the strength of the tape.

NOTE 2: Assembly to the surface must be made straight, so the tape bonds constant and balanced with fastening surface. Slanted assembly might cause unbalanced bond to the surface. All surfaces where tape is applied must be clean, dry and free from grease and dirt.

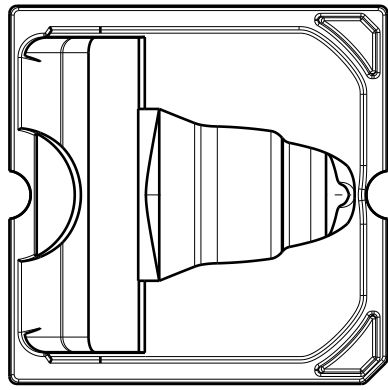
If cleaning of PCB surfaces is needed, please follow strictly the cleaning instructions of your LED manufacturer - this is important as cleaning shall under no circumstances damage LEDs or other electronics components on the PCB.

Further note that optical components shall not be cleaned with any chemicals - only micro fiber cloth may be used to remove fingerprints or other traces from handling.

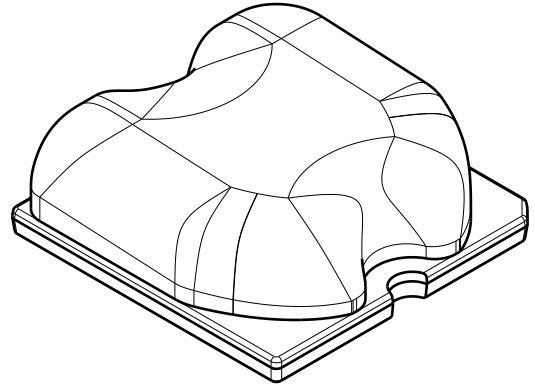
NOTE 1: We advise customer to ensure the suitability and sufficiency of the bond in the end product. For example, mechanical stress, vibration and holes on the surface of the circuit board weaken the strength of the glue.

NOTE 2: All surfaces where glue is applied must be clean, dry and free from grease and dirt. If cleaning of PCB surfaces is needed, please follow strictly the cleaning instructions of your LED manufacturer -this is important as cleaning shall under no circumstances damage LEDs or other electronics components on the PCB.

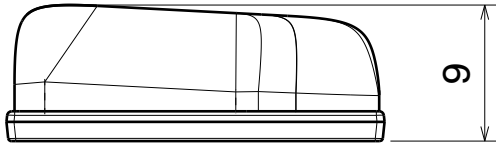
Further note that optical components shall not be cleaned with any chemicals - only micro fiber cloth may be used to remove fingerprints or other traces from handling.



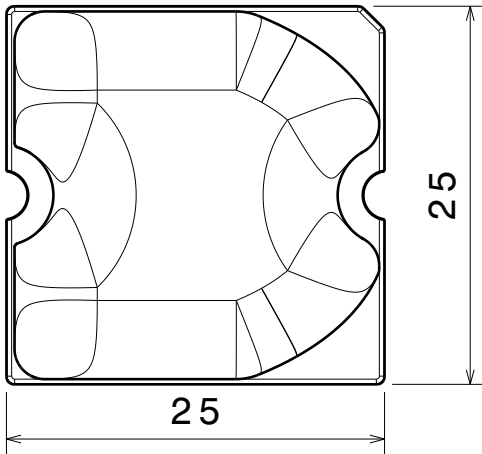
Bottom view



Isometric view



Front view



Top view

Tolerances if not otherwise shown:
According to DIN ISO 2768-1
Linear measures:
Up to 30mm class F, otherwise class M.

According to DIN ISO 2768-2
Form and position:
class K

Control for SPC marked dimensions.

This drawing is our property.
It can't be reproduced
or communicated without
our written agreement.



Ledil Oy
Salorankatu 10
FIN 24240 SALO
Finland

DRAWING TITLE | Mechanical drawing

DRAWN BY
as

DATE
25.9.2012

STRADA-SQ-A-T

CHECKED BY
VS

DATE
-

SIZE | PART NUMBER

A4

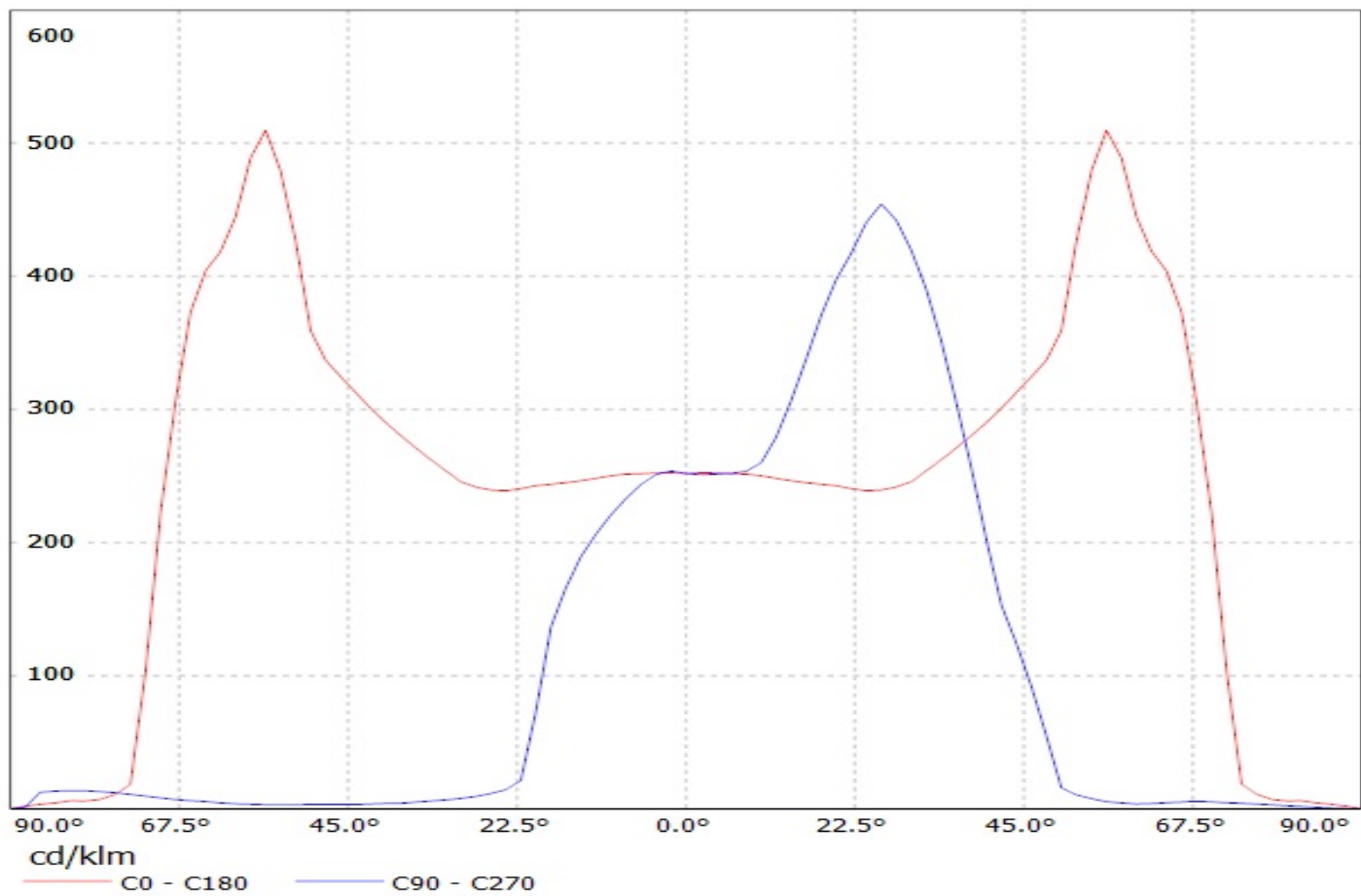
REV
001

DESIGNED BY
-

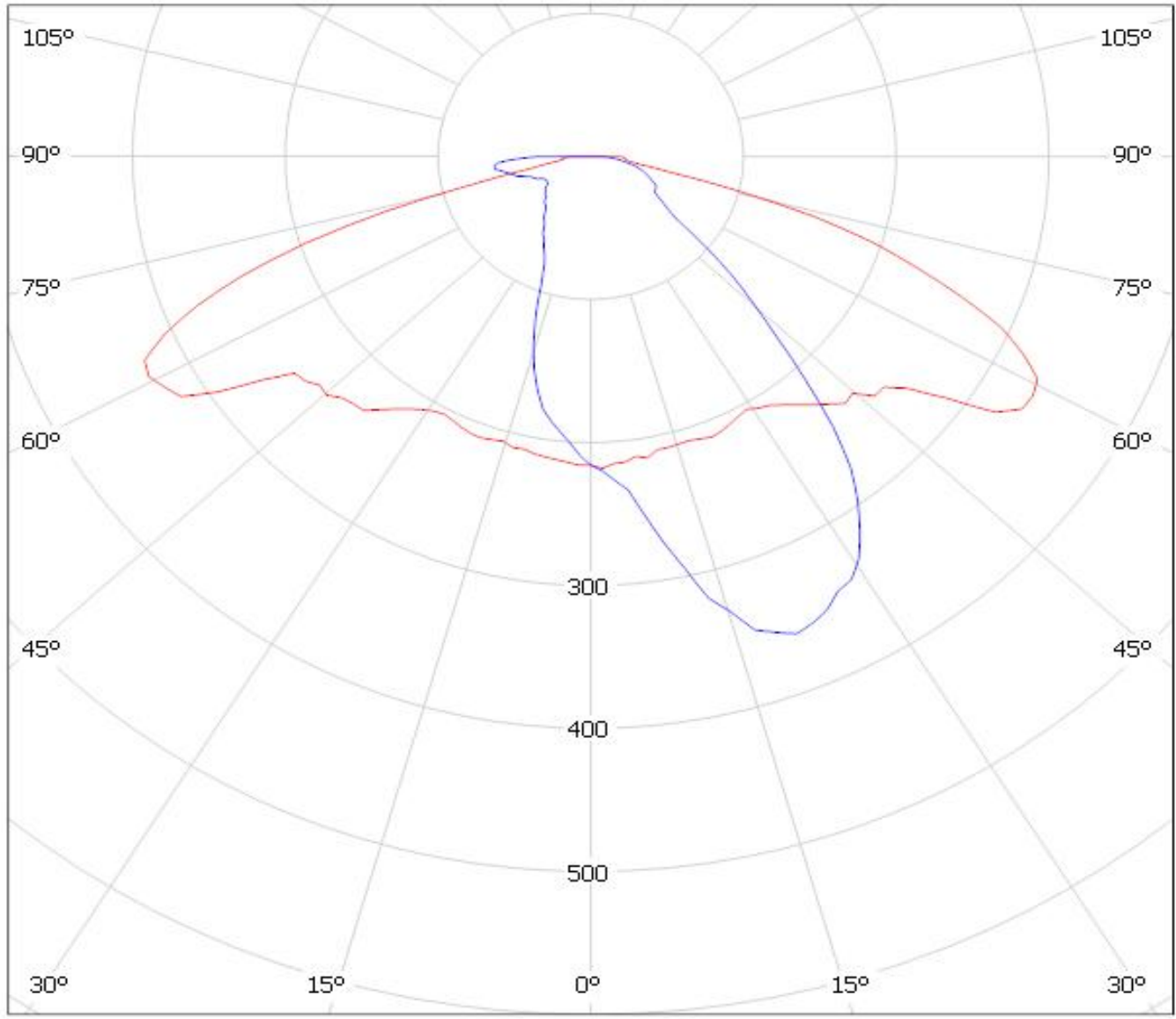
DATE
-

SCALE 2:1 | WEIGHT 4,97 g | SHEET 1/1

Luminaire: Ledil oy C12410_STRADA-SQ-A-T-XM-L LOR=88%
Lamps: 1 x Cree XM-L 250mA 95lm



Luminaire: Ledil Oy C12410_STRADA-SQ-A-T-XM-L Efficiency=93%
Lamps: 1 x Cree XM-L 95lm @ 250mA



cd/klm
— C0 - C180 — C90 - C270

Luminaire: Ledil oy C12411_STRADA-SQ-A-T-XM-L LOR=88%
Lamps: 1 x Cree XM-L 250mA 95lm

