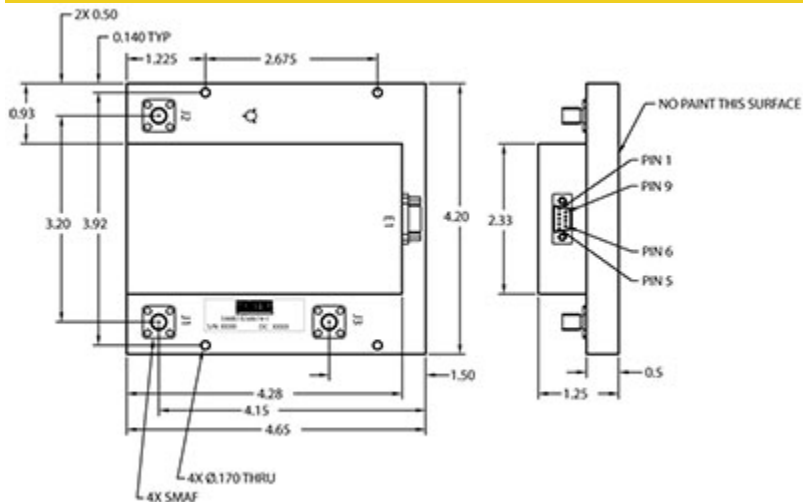


High Power Switch ES0074-1 1025 MHz to 1035 MHz



Power Input Specifications

RF Frequency	1025 MHz to 1035 MHz
Peak Power	5,000 Watts max
Average Power	50 Watts max
Duty Cycle	1 % max
Pulse Width	1 uSec max

Microwave Specifications

VSWR	1.5:1 max
Switching Speed	700 ns max

Mechanical

RF Connector	SMA-F
Bias Connector	DSUB-9P
Control Connector	DSUB-9P
Control	TTL
Positive Supply	15 Vdc 500 mA

Environmental Ratings

Storage Temperature	-40 to 70 °C
Operating Temperature	-40 to 55 °C
Altitude	35000 ft (max)

Notes

Specifications subject to change without notice

Micronetics, Inc. | Hudson, NH | Tel: 1-603-883-2900 | www.Micronetics.com

MICRONETICS

