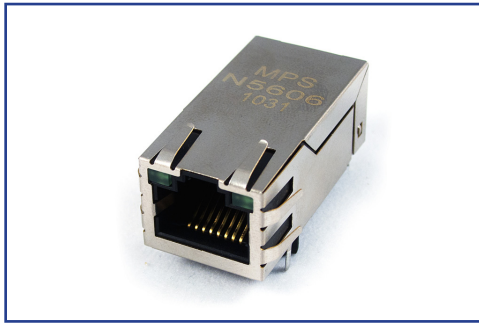


# 1000BASE-T SINGLE PORT RJ-45 JACK WITH MAGNETIC MODULE



## N5606



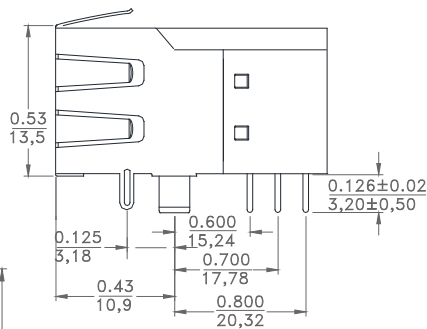
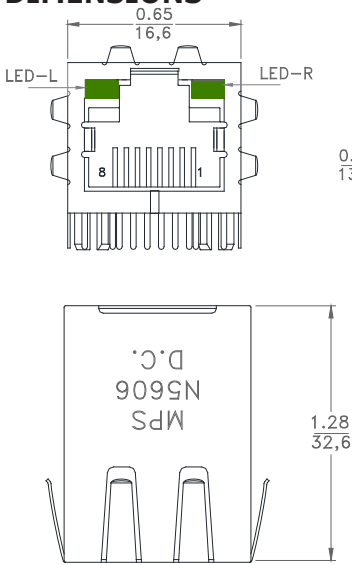
- Designed for network interface card application
- For Gigabit Transmission over CAT 5 & 6 UTP cable
- Designed to meet IEEE802.3 requirement
- Operating temperature: 0°C to +70°C
- RoHS Compliance Product
- Custom design available

## ELECTRICAL PARAMETERS @25°C

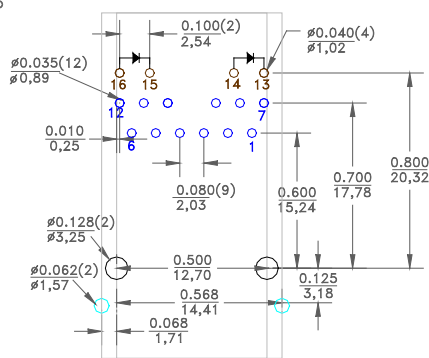
Part Number	Turns Ratio ±2%	Return Loss (dB) Min MHz		Insertion Loss (dB) Max				CMR (dB) Min MHz	CMR to DMR (dB) Typ MHz
		0.5-40	40-10060	0.1-1MHz	1-65MHz	65-100MHz	100-125MHz	0.1-100	0.1-100
N5606	1CT:1	-18	-12+20log(f/80MHz)	-1.1	-0.5	-0.8	-1.2	-30	-35

- Inductance: 350µH Min @ 100KHz, 0.1VRMS with 8mA DC
- Hipot: 1500VRMS

## DIMENSIONS

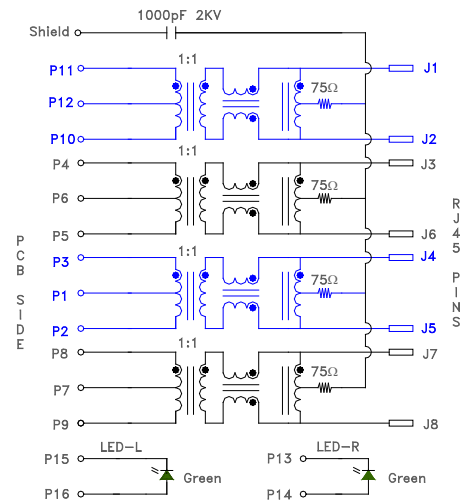


## RECOMMENDED PCB LAND PATTERN



COMPONENT SIDE VIEW  
LANDED  
PATTERN

## SCHEMATIC



Product performance is limited to specified parameters. Data is subject to change without prior notice.

**Dimensions**  
Unless otherwise specified, all tolerances are:  
inch: .XX : ±0.015 .XXX : ±0.004  
mm: X,X : ±0.38 X,XX : ±0.10

13200 Estrella Ave., Bldg. B  
Gardena, CA 90248

Tel: 310-325-1043  
Fax: 310-325-1044

www.mpsind.com  
sales@mpsind.com