

Features

- Microprocessor compatible control inputs
- On chip control memory and address decoding
- Row addressing
- Master reset
- 32 crosspoint switches in 8 x 4 array
- 5.0V to 15.0V operation
- Low crosstalk between switches
- Low on resistance: 90Ω (typ.) at 13V
- Matched switch characteristics
- Switches frequencies up to 40MHz

Applications

- PABX and key systems
- Data acquisition systems
- Test equipment/instrumentation
- Analog/digital multiplexers

Ordering Information

MT8804AE	24 Pin Plastic DIP
MT8804AP	28 Pin PLCC

-40° to 85°C

Description

The MT8804A is a CMOS/LSI 8 x 4 Analog Switch Array incorporating control memory (32 bits), decoder and digital logic level converters. This circuit has digitally controlled analog switches having very low "ON" resistance and very low "OFF" leakage current. Switches will operate with analog signals at frequencies to 40 MHz and up to 15.0Vp-p. A "HIGH" on the Master Reset input switches all channels "OFF" and clears the memory. This device is ideal for crosspoint switching applications.

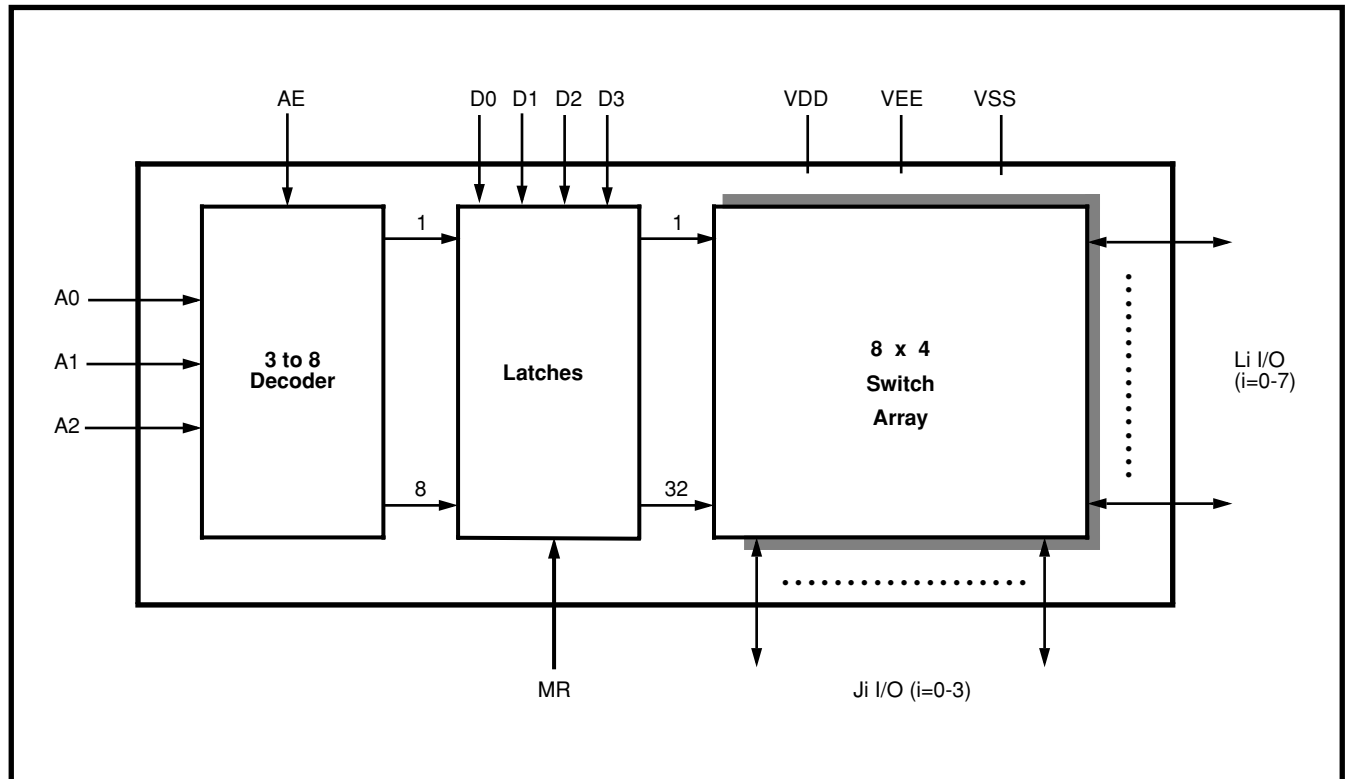


Figure 1 - Functional Block Diagram

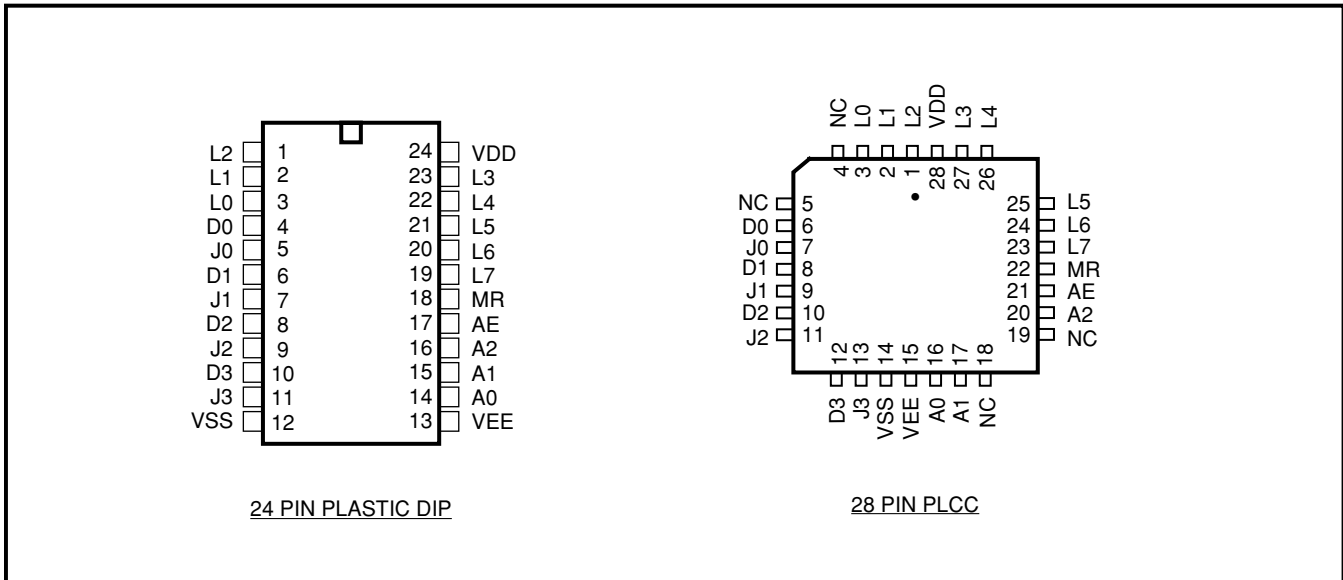


Figure 2 - Pin Connections

Pin Description

Pin #		Name	Description
PDIP	PLCC		
1-3	1-3	L2-L0	L2-L0 Analog Lines (Inputs/Outputs): These are connected to the L2-L0 columns of the switch array.
4	6	D0	D0 Data (Input): Active High.
5	7	J0	J0 Analog Junctor (Input/Output). This is connected to the J0 row of the switch array.
6	8	DI	DI Data (Input). Active High.
7	9	J1	J1 Analog Junctor (Input/Output). This is connected to the J1 row of the switch array.
8	10	D2	D2 Data (Input): Active High.
9	11	J2	J2 Analog Junctor (Input/Output). This is connected to the J2 row of the switch array.
10	12	D3	D3 Data (Input): Active High.
11	13	J3	J3 Analog Junctor (Input/Output). This is connected to the J3 row of the switch array.
12	14	V _{SS}	Digital Ground Reference.
13	15	V _{EE}	Negative Power Supply.
14-16	16,17, 20	A0-A2	A0-A2 Address Lines (Inputs).
17	21	AE	Address Enable/Strobe (Input). Enables function selected by address and data. Address must be stable before AE goes high and D0-D3 must be stable on the falling edge of the AE. Active High.
18	22	MR	Master RESET (Input). This is used to turn off all switches. Active High.
19-23	23-27	L7-L3	L7-L3 Analog Lines (Inputs/Outputs). These are connected to the L7-L3 columns of the switch array.
24	28	V _{DD}	Positive Power Supply.
	4, 5,18, 19,	NC	No Connect.

Functional Description

The MT8804A is a CMOS/LSI 8 X 4 Analog Switch Array incorporating an 8 X 4 analog switch array, address decoder, control memory, and digital logic level converter.

The analog switch array is arranged in 8 rows and 4 columns. The row input/outputs are referred to as Lines (L0-L7) and the column input/outputs as Junctors (J0-J3). The crosspoint analog switches interconnect the lines and junctors when turned "ON" and provide a high degree of isolation when turned "OFF". Interchannel crosstalk is minimal despite the high density of the analog switch array. The control memory of the MT8804A can be treated as an 8 word by 4 bit random access memory. The 8 words are selected by the ADDRESS (A0-A2) inputs through the on chip address decoder. Data is presented to the memory via the four DATA inputs (D0-D3). This data is asynchronously written into the control memory whenever the ADDRESS ENABLE (AE) input is HIGH. A HIGH level written into a memory cell turns the corresponding crosspoint switch "ON" while a LOW level causes the crosspoint to turn "OFF".

Only the crosspoint switches corresponding to the addressed memory word are affected when data is written into the memory. The remaining switches retain their previous states. By establishing appropriate patterns in the control memory, any combination of lines and junctors may be interconnected. A HIGH level on the MASTER RESET (MR) input returns all memory locations to a LOW level and turns all crosspoint switches "OFF" effectively isolating the lines from the junctors. The digital logic level converters allow the digital input levels to differ from limits of the analog levels switched through the array. For example, with

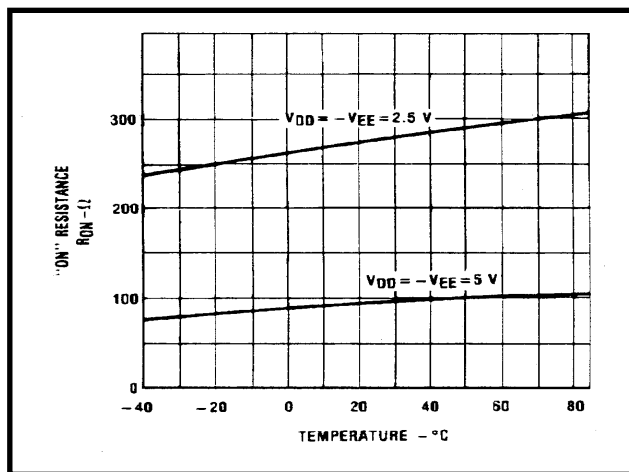


Figure 3 - On Resistance vs. Temperature (Input Signal Voltage=Supply Voltage/2)

$V_{DD}=5V$, $V_{SS}=0V$ and $V_{EE}=-6V$, the control inputs can be driven by a 5V system while the analog voltages through the crosspoint switches can swing from +5V to -6V.

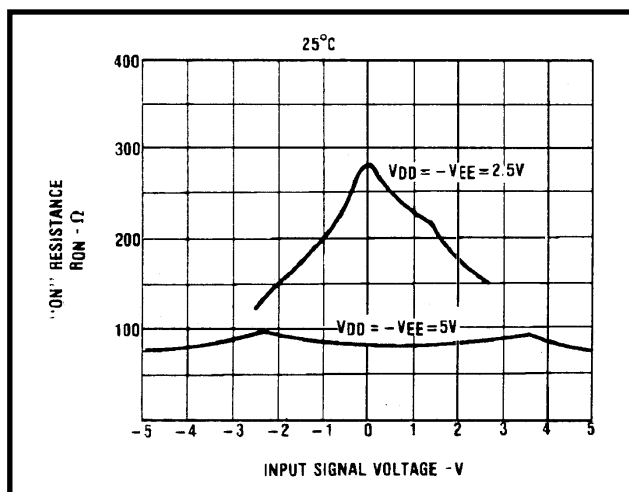


Figure 4 - On Resistance vs. Input Signal Voltage

8x8 Analog/Digital Switch

Two MT8804s configured as shown, implement an 8 x 8 analog/digital switch. The switch capacity can be expanded to an M x N array of inputs/outputs. Expansion in the M dimension is as shown with the MT8804A lines (L0-L7) commoned. Expansion in the N dimension is accomplished by replicating the circuit shown and connecting the MT8804A junctors (J0-J3) in common. The address and data control inputs of the MT8804A's can be connected in common for any size and switch provided that the address enable (AE) inputs are driven individually. A particular signal path is connected by setting up the appropriate signals or the address and data lines and taking the corresponding address enable input high. The master reset (MR), when taken high, disconnects all signal paths.

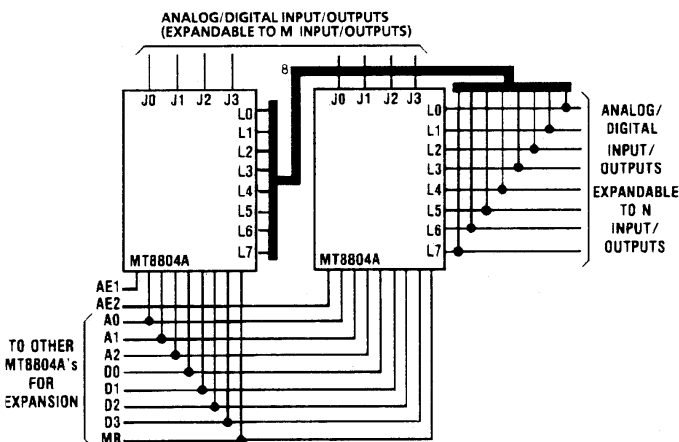


Figure 5 - 8 x 8 Analog/Digital Switch

Absolute Maximum Ratings* - Voltages are with respect to V_{EE} unless otherwise stated.

	Parameter	Symbol	Min	Max	Units
1	Supply Voltage	$V_{DD}-V_{SS}$	-0.3	16	V
		$V_{DD}-V_{EE}$	-0.3	16	V
		$V_{SS}-V_{EE}$	-0.3	16	V
2	Analog Input Voltage	V_{INA}	$V_{EE}-0.3$	$V_{DD}+0.3$	V
3	Digital Input Voltage	V_{IN}	$V_{SS}-0.3$	$V_{DD}+0.3$	V
4	Current on any Logic Pin	I		10	mA
5	Storage Temperature	T_S	-65	+150	°C
6	Package Power Dissipation	PLASTIC DIP	P_D	0.6	W

* Exceeding these values may cause permanent damage. Functional operation under these conditions is not implied.

Recommended Operating Conditions - Voltages are with respect to V_{EE} unless otherwise stated.

	Characteristics	Sym	Min	Typ	Max	Units	Test Conditions
1	Operating Temperature	T_O	-40	25	85	°C	
2	Supply Voltage	$V_{DD}-V_{SS}$	5	5	15	V	
		$V_{DD}-V_{EE}$	5	10	15	V	
		$V_{SS}-V_{EE}$	0	5	10	V	
3	Analog Input Voltage	V_{INA}	V_{EE}		V_{DD}	V	
4	Digital Input Voltage	V_{IN}	V_{SS}		V_{DD}	V	

DC Electrical Characteristics† - Voltages are with respect to $V_{EE}=V_{SS}=0V$.

	Characteristics	Sym	Min	Typ‡	Max	Units	Test Conditions
1	Quiescent Supply Current	I_{DD}		1	100	μA	$V_{DD}=15V$. All digital inputs at $V_{IN}=V_{SS}$ or V_{DD}
2	Off-state Leakage Current (Any line to any junctor)	I_{OFF}		±0.1	±500	nA	$V_{DD}=13V$, Switch is 'Off' $ V_{Ji} - V_{Lj} = V_{DD} - V_{EE}$
3	Input Logic "0" level	V_{IL}			3.0	V	$V_{DD} = 10V$ $V_{DD} = 5V$ $V_{INA} = V_{DD}$ through 1kΩ
					1.5	V	
4	Input Logic "1" level	V_{IH}	7.0	3.5		V	$V_{DD} = 10V$ $V_{DD} = 5V$ $V_{INA} = V_{DD}$ through 1kΩ
						V	
5	Maximum current through Crosspoint Switch	I_{MAX}			±8.0	mA	$V_{DD}=13V$

† DC Electrical Characteristics are at ambient temperature (25°C).

‡ Typical figures are for design aid only; not guaranteed and not subject to production testing.

DC Electrical Characteristics- Switch Resistance - V_{DC} is the external DC offset applied at the analog I/O pins.

	Characteristics	Sym	25°C			70°C	85°C	Units	Test Conditions
			Min	Typ	Max	Typ	Typ		
1	On-state Resistance $V_{DD}=13V$ $V_{DD}=10V$ $V_{DD}=5V$	R_{ON}	60	90	108	105	110	Ω	$V_{SS}=V_{EE}=0V, V_{DC}=V_{DD}/2,$ $ V_{Ji} - V_{Lj} = 0.6V$
				105	160	120	125	Ω	
				290	650	320	325	Ω	
2	Difference in on-state resistance between two switches $V_{DD}=13V$ $V_{DD}=10V$	ΔR_{ON}		20		20	20	Ω	$V_{SS}=V_{EE}=0V, V_{DC}=V_{DD}/2,$ $ V_{Ji} - V_{Lj} = 0.6V$
				30		30	30	Ω	

AC Electrical Characteristics† - Crosspoint Performance -V_{DC} is the external DC offset applied at the analog I/O pins. Voltages are with respect to V_{DD}=10V, V_{SS}=V_{EE}=0V unless otherwise stated.

	Characteristics	Sym	Min	Typ‡	Max	Units	Test Conditions
1	Switch Line Capacitance	C _{IS}		5		pF	
2	Switch Junctor Capacitance	C _{OS}		20		pF	
3	Feedthrough Capacitance	C _I		0.2		pF	
4	Frequency Response Channel "ON" 20LOG(V _{OUT} /V _{INA}) = -3dB	F _{3dB}		40		MHz	Switch is "ON"; V _{DC} =5V, V _{INA} =5Vpp sinewave f= 1kHz; R _L = 1kΩ
5	Total Harmonic Distortion V _{DD} =15V/V _{DC} =7.5V V _{DD} =10V/V _{DC} =5V V _{DD} =5V/V _{DC} =2.5V	THD		0.1 0.2 1.0		% % %	Switch is "ON"; V _{EE} =V _{SS} =0V V _{INA} =5Vpp sinewave f= 1kHz; R _L = 10kΩ
6	Feedthrough Channel "OFF" Feed.=20LOG (V _{OUT} /V _{INA})	FDT		-50		dB	All Switches "OFF"; V _{INA} = 5Vpp sinewave f= 1MHz; R _L = 1kΩ. V _{DC} =5V
7	Crosstalk between any two channels for switches Li - Ji and Lj - Jj. Li - Ji is "ON" Lj - Jj is "OFF" Xtalk=20LOG (V _{Jj} /V _{Li}).	X _{talk}		-40 -90		dB dB	V _{INA} =2Vpp sinewave f= 1.0MHz; R _L = 600Ω. V _{INA} =2Vpp sinewave f= 3.4kHz; R _L = 600Ω. V _{DC} = 5V
8	Propagation delay through switch	t _{PS}		10		ns	C _L =50pF

† AC Electrical Characteristics are at ambient temperature (25°C).

‡ Typical figures are for design aid only; not guaranteed and not subject to production testing.

AC Electrical Characteristics† - Control and I/O Timings - Voltages are with respect to V_{SS}=V_{EE}=0V unless otherwise stated.

	Characteristics	Sym	Min	Typ‡	Max	Units	Test Conditions
1	Digital Input Capacitance	C _{DI}		5		pF	V _{DD} =10V
2	Setup Time D0-D3 to AE	t _{DS}	150 200			ns ns	V _{DD} =10V V _{DD} =5V
3	Hold Time D0-D3 to AE	t _{DH}	120 300			ns ns	V _{DD} =10V V _{DD} =5V
4	Setup Time Address to AE	t _{AS}	0 50			ns ns	V _{DD} =10V V _{DD} =5V
5	Hold Time Address to AE	t _{AH}	120 300			ns ns	V _{DD} =10V V _{DD} =5V
6	AE Pulse Width	t _{AEW}	100 250			ns ns	V _{DD} =10V V _{DD} =5V
7	AE to Switch Status Delay	t _{PAE}		200 650	300 900	ns ns	V _{DD} =10V V _{DD} =5V See Note 1
8	DATA to Switch Status Delay	t _{PLH} t _{PHL}		250 650	400 1000	ns ns	V _{DD} =10V V _{DD} =5V See Note 1
9	MR to Switch Status Delay	t _{MR} t _{MRR}		250 500 200 500	400 600 350 750	ns ns ns ns	V _{DD} =10V V _{DD} =5V V _{DD} =10V V _{DD} =5V See Note 2

† AC Electrical Characteristics are at ambient temperature (25°C).

‡ Typical figures are for design aid only; not guaranteed and not subject to production testing.

Note 1 R_L= 10kΩ, C_L=50pF

Note 2 R_L= 1kΩ, C_L=50pF

Digital Input rise time (tr) and fall time (tf) = 5ns.

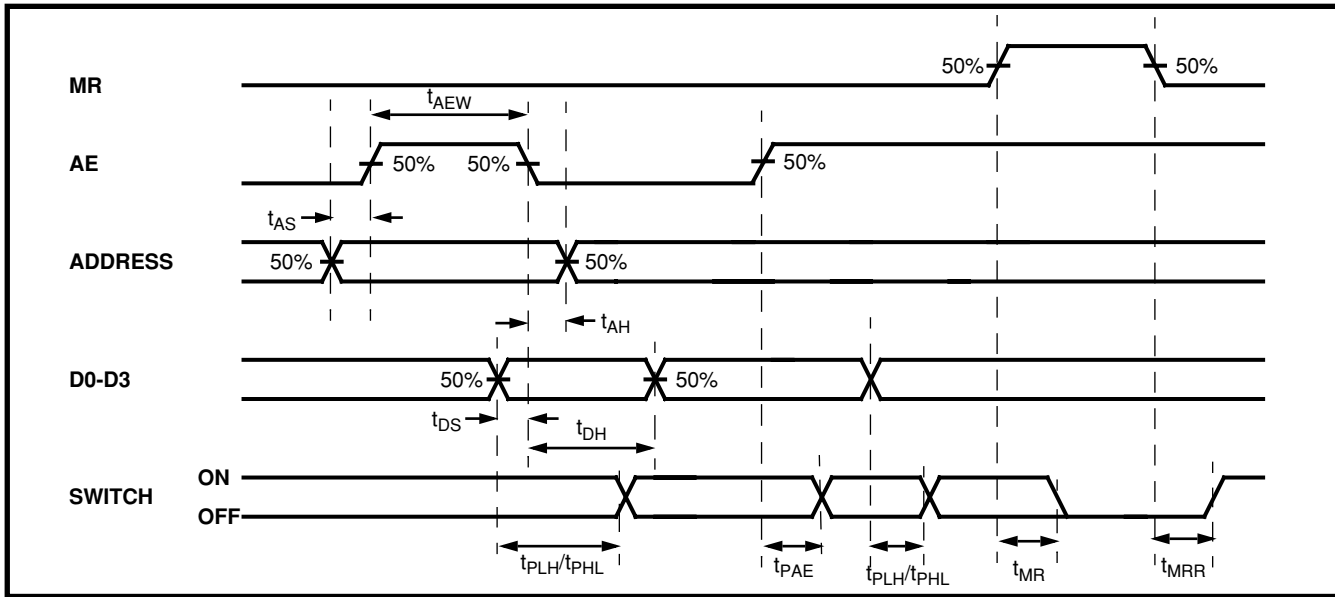
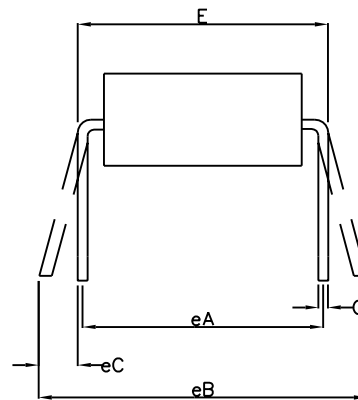
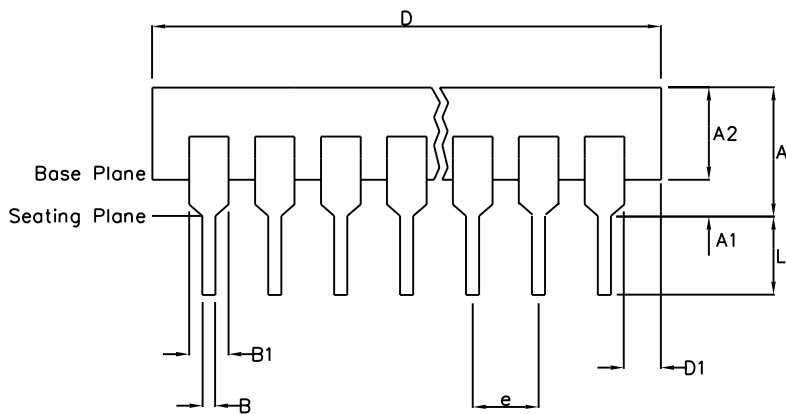
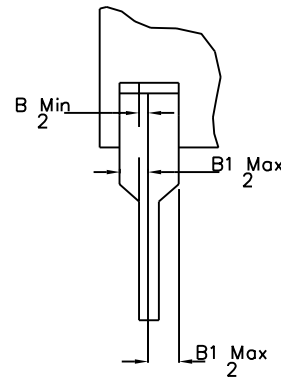
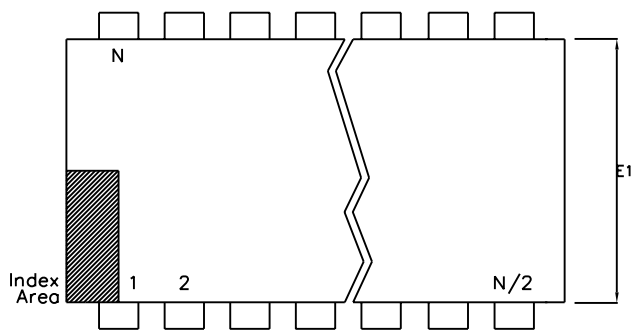


Figure 6 - Control Memory Timing Diagram

Memory Reset MR	Address Enable AE	Address			Addressed Line	Input Data To Control Memory				Junctors Connected To Addressed Line			
		A2	A1	A0		D3	D2	D1	D0	J3	J2	J1	J0
1	X	X	X	X	ALL	X	X	X	X	All Switches "OFF"			
0	0	X	X	X	NONE	X	X	X	X	No Change of State			
0	1	0	0	0	L0	0	0	0	0	•	•	•	•
0	1	0	0	0	L0	0	0	0	1	•	•	•	+
0	1	0	0	0	L0	0	0	1	0	•	•	+	•
0	1	0	0	0	L0	0	0	1	1	•	•	+	•
0	1	0	0	0	L0	0	1	0	0	•	+	•	•
0	1	0	0	0	L0	0	1	0	1	•	+	•	•
0	1	0	0	0	L0	0	1	1	0	•	+	+	•
0	1	0	0	0	L0	0	1	1	1	•	+	+	•
0	1	0	0	0	L0	1	0	0	0	+	•	•	•
0	1	0	0	0	L0	1	0	0	1	+	•	•	•
0	1	0	0	0	L0	1	0	1	0	+	•	+	•
0	1	0	0	0	L0	1	0	1	1	+	•	+	•
0	1	0	0	0	L0	1	1	0	0	+	+	•	•
0	1	0	0	0	L0	1	1	0	1	+	+	•	•
0	1	0	0	0	L0	1	1	1	0	+	+	+	•
0	1	0	0	0	L0	1	1	1	1	+	+	+	+
0	1	0	0	1	L1	0	0	0	0	•	•	•	•
↓	↓	↓	↓	↓	L1	↓	↓	↓	↓	↓	↓	↓	↓
0	1	0	0	1	L1	1	1	1	1	+	+	+	+
0	1	0	1	0	L2	0	0	0	0	•	•	•	•
↓	↓	↓	↓	↓	L2	↓	↓	↓	↓	↓	↓	↓	↓
0	1	0	1	0	L2	1	1	1	1	+	+	+	+
0	1	0	1	1	L3	0	0	0	0	•	•	•	•
↓	↓	↓	↓	↓	L3	↓	↓	↓	↓	↓	↓	↓	↓
0	1	0	1	1	L3	1	1	1	1	+	+	+	+
0	1	1	0	0	L4	0	0	0	0	•	•	•	•
↓	↓	↓	↓	↓	L4	↓	↓	↓	↓	↓	↓	↓	↓
0	1	1	0	0	L4	1	1	1	1	+	+	+	+
0	1	1	0	1	L5	0	0	0	0	•	•	•	•
↓	↓	↓	↓	↓	L5	↓	↓	↓	↓	↓	↓	↓	↓
0	1	1	0	1	L5	1	1	1	1	+	+	+	+
0	1	1	1	0	L6	0	0	0	0	•	•	•	•
↓	↓	↓	↓	↓	L6	↓	↓	↓	↓	↓	↓	↓	↓
0	1	1	1	0	L6	1	1	1	1	+	+	+	+
0	1	1	1	1	L7	0	0	0	0	•	•	•	•
↓	↓	↓	↓	↓	L7	↓	↓	↓	↓	↓	↓	↓	↓
0	1	1	1	1	L7	1	1	1	1	+	+	+	+

Table 1 - Address Decode Truth Table

NOTES:
 0 - Low Logic Level
 1 - High Logic Level
 X - Don't Care Condition
 + - Indicates Connection Between Junctor and Addressed Line
 • - Indicates No Connection Between Junctor and Addressed Line



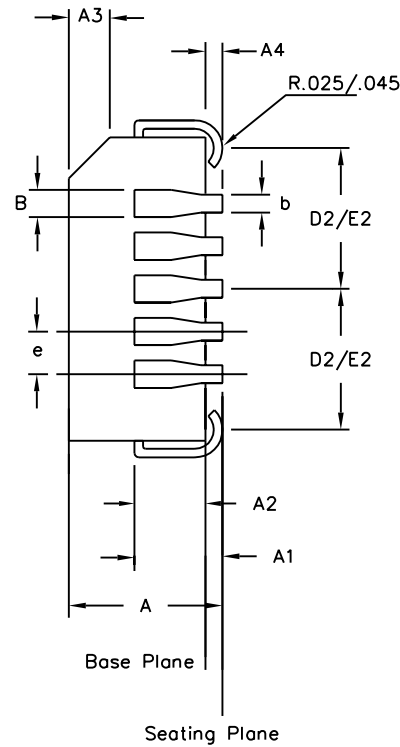
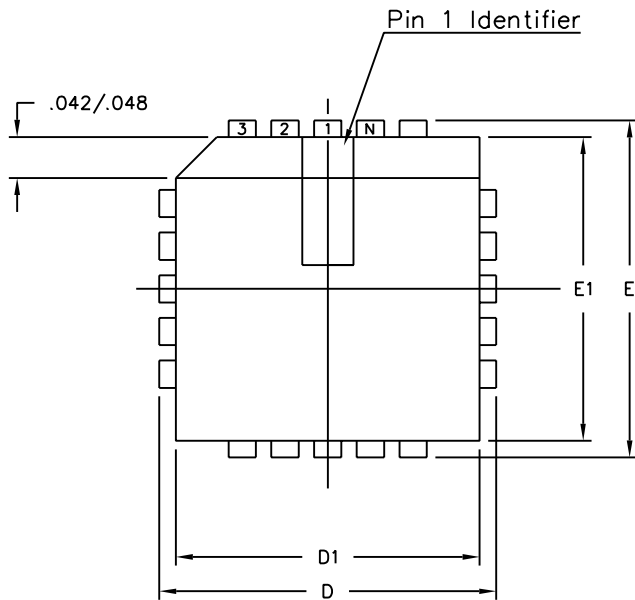
	Min mm	Max mm	Min Inches	Max Inches
A		6.35		0.250
A1	0.38		0.015	
A2	3.18	4.95	0.125	0.195
B	0.36	0.56	0.014	0.022
B1	0.76	1.78	0.030	0.070
C	0.20	0.38	0.008	0.015
D	29.21	32.77	1.150	1.290
D1	0.13		0.005	
E	15.24	15.88	0.600	0.625
E1	12.32	14.73	0.485	0.580
e	2.54 BSC		0.100 BSC	
eA	15.24 BSC		0.600 BSC	
eB		17.78		0.700
L	2.92	5.08	0.115	0.200
N	24		24	
Conforms to Jeduc MS-011AA ISS.B				

- Notes:
1. Controlling Dimensions are in inches
 2. Dimension A, A1 and L are measured with the package seated in the Seating Plane
 3. Dimensions D & E1 do not include mould flash or protrusions. Mould flash or protrusion shall not exceed 0.010 inch.
 4. Dimensions E & eA are measured with leads constrained to be perpendicular to plane T.
 5. Dimensions eB & eC are measured at the lead tips with the leads unconstrained; eC must be zero or greater.

© Zarlink Semiconductor 2002 All rights reserved.			
ISSUE	1	2	3
ACN	7010	203400	213101
DATE	20Apr95	4Nov97	15Jul02
APPRD.			



	Package Code	DA
Previous package codes	DP / E	
	Package Outline for 24 lead PDIP	
	GPD00071	



Symbol	Control Dimensions in inches		Altern. Dimensions in millimetres	
	MIN	MAX	MIN	MAX
A	0.165	0.180	4.19	4.57
A1	0.090	0.120	2.29	3.05
A2	0.062	0.083	1.57	2.11
A3	0.042	0.056	1.07	1.42
A4	0.020	—	0.51	—
D	0.485	0.495	12.32	12.57
D1	0.450	0.456	11.43	11.58
D2	0.191	0.219	4.85	5.56
E	0.485	0.495	12.32	12.57
E1	0.450	0.456	11.43	11.58
E2	0.191	0.219	4.85	5.56
B	0.026	0.032	0.66	0.81
b	0.013	0.021	0.33	0.53
e	0.050	BSC	1.27	BSC
Pin features				
ND	7			
NE	7			
N	28			
Note	Square			
Conforms to JEDEC MS-018AB Iss. A				

Notes:

1. All dimensions and tolerances conform to ANSI Y14.5M-1982
2. Dimensions D1 and E1 do not include mould protrusions.
Allowable mould protrusion is 0.010" per side. Dimensions D1 and E1 include mould protrusion mismatch and are determined at the parting line, that is D1 and E1 are measured at the extreme material condition at the upper or lower parting line.
3. Controlling dimensions in Inches.
4. "N" is the number of terminals.
5. Not To Scale
6. Dimension R required for 120° minimum bend.

© Zarlink Semiconductor 2002 All rights reserved.				
ISSUE	1	2	3	
ACN	5958	207469	212422	
DATE	15Aug94	10Sep99	22Mar02	
APPRD.				



Previous package codes	HP / P
------------------------	--------

Package Code	QA
Package Outline for 28 lead PLCC	
GPD00002	



**For more information about all Zarlink products
visit our Web Site at
www.zarlink.com**

Information relating to products and services furnished herein by Zarlink Semiconductor Inc. or its subsidiaries (collectively "Zarlink") is believed to be reliable. However, Zarlink assumes no liability for errors that may appear in this publication, or for liability otherwise arising from the application or use of any such information, product or service or for any infringement of patents or other intellectual property rights owned by third parties which may result from such application or use. Neither the supply of such information or purchase of product or service conveys any license, either express or implied, under patents or other intellectual property rights owned by Zarlink or licensed from third parties by Zarlink, whatsoever. Purchasers of products are also hereby notified that the use of product in certain ways or in combination with Zarlink, or non-Zarlink furnished goods or services may infringe patents or other intellectual property rights owned by Zarlink.

This publication is issued to provide information only and (unless agreed by Zarlink in writing) may not be used, applied or reproduced for any purpose nor form part of any order or contract nor to be regarded as a representation relating to the products or services concerned. The products, their specifications, services and other information appearing in this publication are subject to change by Zarlink without notice. No warranty or guarantee express or implied is made regarding the capability, performance or suitability of any product or service. Information concerning possible methods of use is provided as a guide only and does not constitute any guarantee that such methods of use will be satisfactory in a specific piece of equipment. It is the user's responsibility to fully determine the performance and suitability of any equipment using such information and to ensure that any publication or data used is up to date and has not been superseded. Manufacturing does not necessarily include testing of all functions or parameters. These products are not suitable for use in any medical products whose failure to perform may result in significant injury or death to the user. All products and materials are sold and services provided subject to Zarlink's conditions of sale which are available on request.

Purchase of Zarlink's I²C components conveys a licence under the Philips I²C Patent rights to use these components in and I²C System, provided that the system conforms to the I²C Standard Specification as defined by Philips.

Zarlink, ZL and the Zarlink Semiconductor logo are trademarks of Zarlink Semiconductor Inc.

Copyright Zarlink Semiconductor Inc. All Rights Reserved.

TECHNICAL DOCUMENTATION - NOT FOR RESALE
