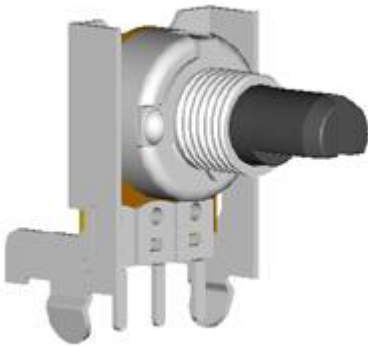


Model(型號): **ROTARY POTENTIOMETER-----R16A11VB1**

► [Download PDF file](#)



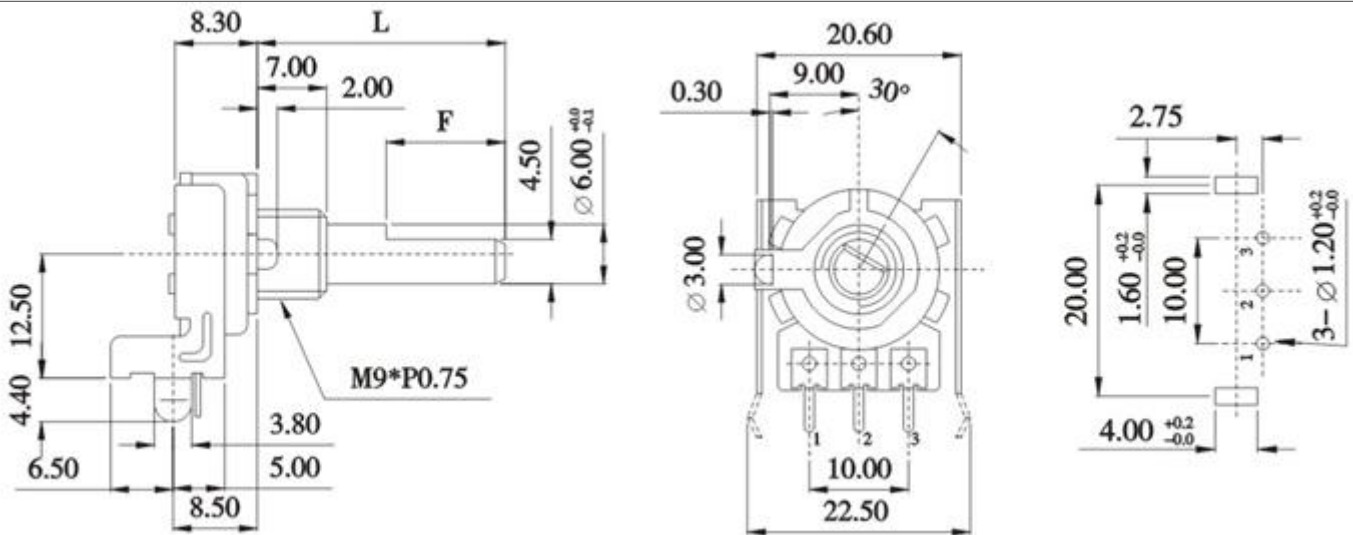
**Features:(特點):**

Ideal for all type of audio products.

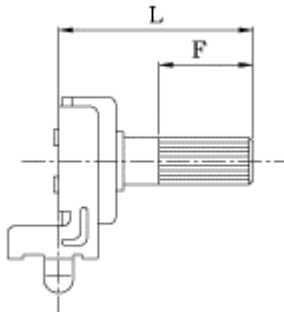
**Applications(作用):**

Ideal for radio, cassette recorder with radio, amplifier,receiver,etc.

**Dimensions(規格圖):**

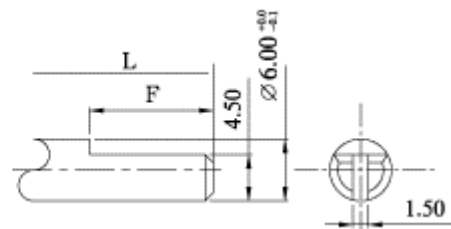


**TYPE OF KNOB**



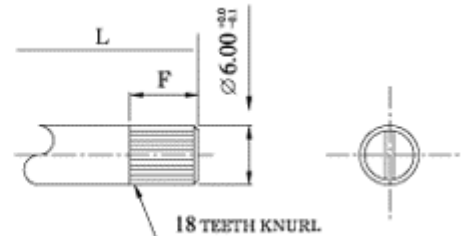
**F Type**

L	18.5	23.5	28.5	33.5	38.5
F	7	12	12	12	12



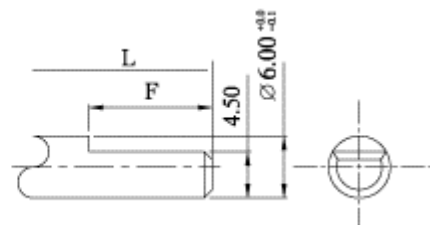
**K Type**

L	18.5	18.5	23.5	28.5	33.5	38.5
F	7	8	12	12	12	12



**T Type**

L	18.5	23.5	28.5	33.5	38.5
F	7	12	12	12	12



**Specifications(規格)**

**Electrical Characteristics [ 電氣性能 ]**

Total resistance [ 全阻抗值 ]

500Ω - 1MΩ

Total resistance tolerance [ 全阻抗值容許差 ]	±20%
Ratings power(w) [ 額定功率 ]	0.05W
Resistance taper [ 阻抗變化特性 ]	A,B, *C,D,W
Residual resistance [ 殘留阻值 ]	30KΩMax.
Sliding noise [ 滑動雜音 ]	100mV Max.
Withstanding voltage [ 耐電壓 ]	1 minute at AC 300V
Gang error [ 連動誤差 ]	-40dB ~ 0dB ±3dB Max.
Insulation resistance [ 絕緣阻抗 ]	100MΩ Min. at DC 100V.
Max. operating voltage [ 最高使用電壓 ]	50V AC 20V DC
<b>Mechanical Characteristics [ 機械性能 ]</b>	
Operation torque [ 回轉力矩 ]	20~250gf . cm
Rotation stopper strength [ 止動強度 ]	2.0Kgf . cm Min.
Total rotational angle [ 回轉角度 ]	300±5°
Center decent force [ 掣子脫出力矩 ]	50~300gf.cm
<b>Endurance Characteristics [ 耐久性能 ]</b>	
Rotational life [ 回轉壽命 ]	More than10,000 cycles

[Http://www.productwell.com](http://www.productwell.com) E-Mail: [pwlhk@productwell.com](mailto:pwlhk@productwell.com)

Tel: ( 852)2687 3208 Fax: ( 852)2687 3336