

PLEASE CHECK WWW.MOLEX.COM FOR LATEST PART INFORMATION

Part Number: [0853510006](#)
Status: **Active**
Description: EMILY™ Power Board Connector

Documents:

[3D Model](#) [RoHS Certificate of Compliance \(PDF\)](#)
[Drawing \(PDF\)](#)

General

Product Family	I/O Connectors
Series	85351
Application	Wire-to-Board
Comments	150 parts per reel (primary pack) 5 reels per carton, latching system to front panel on cable connector
Component Type	Receptacle
Product Name	EMILY™
Type	N/A

Physical

Circuits (Loaded)	2
Circuits (maximum)	2
Circuits Detail	2 power contacts 7.8 mm (0.307 inch) centerline (pitch)
Durability (mating cycles max)	25
Lock to Mating Part	None
Material - Metal	Copper-Nickel-Zinc
Material - Plating Mating	Tin
Material - Plating Termination	Tin
Orientation	Right Angle
PCB Locator	Yes
PCB Retention	Yes
Packaging Type	Embossed Tape on Reel
Panel Mount	Yes
Pitch - Mating Interface (in)	0.307 In
Pitch - Mating Interface (mm)	7.80 mm
Plating min: Mating (µin)	120
Plating min: Mating (µm)	3
Polarized to Mating Part	Yes
Polarized to PCB	Yes
Surface Mount Compatible (SMC)	N/A
Temperature Range - Operating	-20°C to +80°C
Termination Interface: Style	Surface Mount
Wire Size AWG	N/A

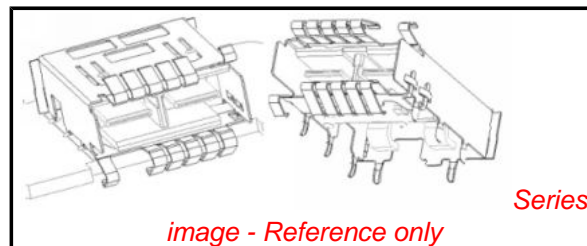
Electrical

Current - Maximum per Contact	20A
Grounding to Panel	Drop-In
Shield Type	Full Shield
Shielded	Yes
Voltage - Maximum	200V

Material Info

Reference - Drawing Numbers

Packaging Specification	PK-85349-004
Sales Drawing	SD-85351-001



EU RoHS

ELV and RoHS Compliant
REACH SVHC
Contains SVHC: No
Halogen-Free
Status
Not Reviewed

China RoHS



Need more information on product environmental compliance?

Email productcompliance@molex.com
 For a multiple part number RoHS Certificate of Compliance, [click here](#)

Please visit the [Contact Us](#) section for any non-product compliance questions.

Search Parts in this Series

[85351Series](#)

Mates With

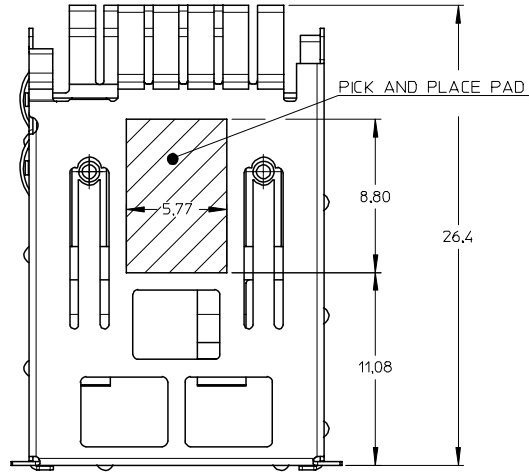
[85373](#)

Use With

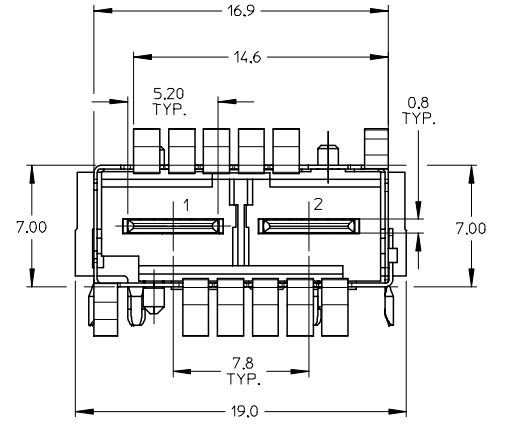
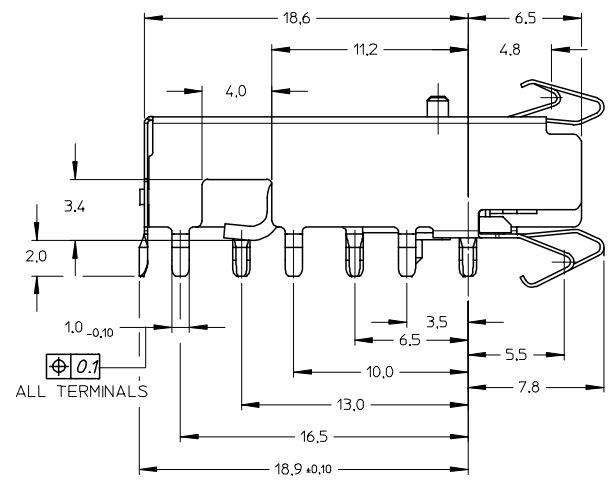
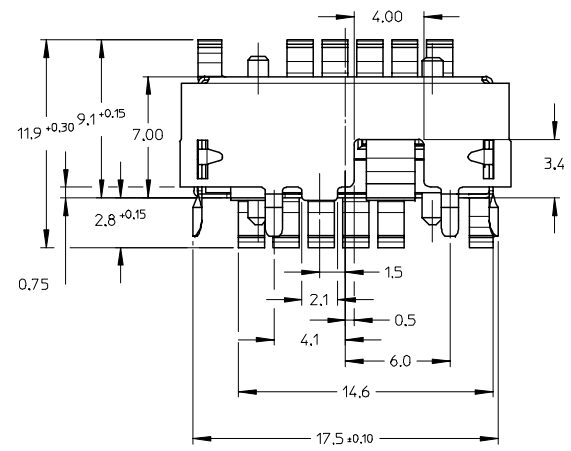
[85373](#)

This document was generated on 05/25/2010

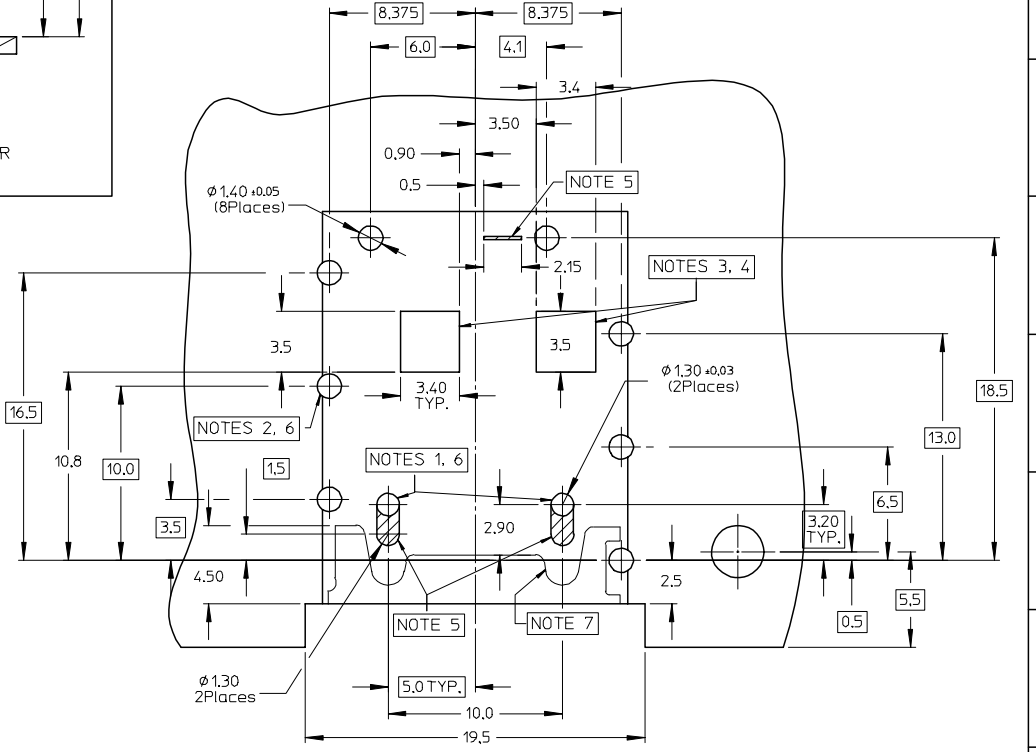
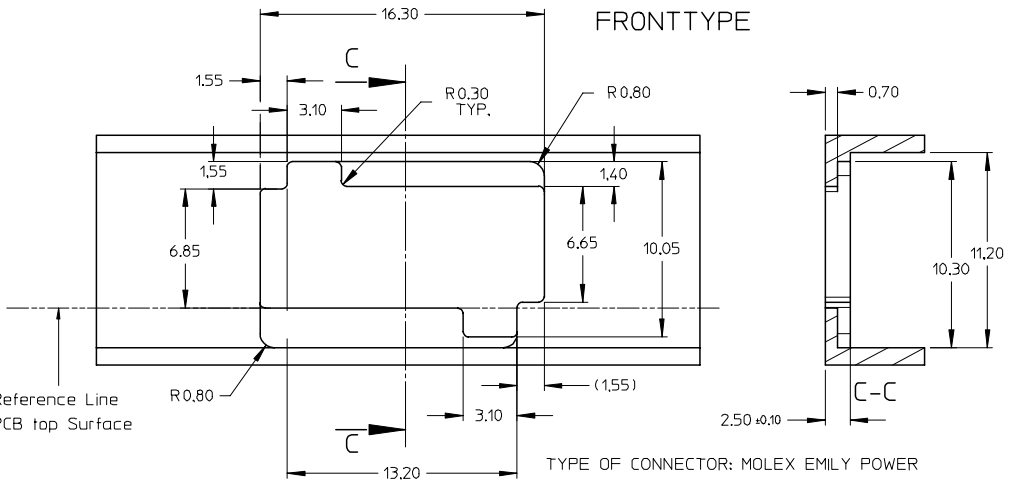
PLEASE CHECK WWW.MOLEX.COM FOR LATEST PART INFORMATION



- NOTES:
- 1- SHIELD MATERIAL GERMAN SILVER 0.20mm THICK
CuNi18 Zn20 HV 180-210
 - 2- HOUSING MATERIAL: LCP
COLOR: BLACK
 - 3- CONTACT MATERIAL: CuSn6
PLATING: SEE SHEET 3
 - 4- PACKAGING SPEC. PK-85349-004



EC NO: MG2005-0367 DRAWN: TMARTIN 2005/05/03 CHKD: FCARABE 2005/05/04 APPR: KNOLLER 2005/05/13	QUALITY SYMBOLS ▼ - 0 ∇ - 0	GENERAL TOLERANCES (UNLESS SPECIFIED)		SCALE 5:1	DESIGN UNITS METRIC	THIRD ANGLE PROJECTION	REVISE ON CAD ONLY	
		mm	INCH	DIMENSION STYLE MM ONLY		TITLE		
		4 PLACES ± --- ± ---	3 PLACES ± --- ± ---	DRAWN BY TMARTIN	DATE 00/03/07	EMILY POWER PCB PIN CONNECTOR		
		2 PLACES ± --- ± ---	1 PLACE ± --- ± ---	CHECKED BY JK	DATE 00/03/08			
16	REV	DRAFT WHERE APPLICABLE MUST REMAIN WITHIN DIMENSIONS		APPROVED BY HK	DATE 00/03/08	MATERIAL NO. 85351-0006	DOCUMENT NO. SD-85351-001	SHEET NO. 1 OF 3
THIS DRAWING CONTAINS INFORMATION THAT IS PROPRIETARY TO MOLEX INCORPORATED AND SHOULD NOT BE USED WITHOUT WRITTEN PERMISSION								A2



- NOTES:
- 1- 2x LOCATION HOLES NOT PLATED
 - 2- 8x PIN HOLES FOR SHIELD PLATED THROUGH
 - 3- 2x PAD FOR POWER CONTACTS
 - 4- PAD DIMENSIONS ARE MIN. NEEDED
PAD SIZE W/O SOLDER TECHNIQUE INCREASE
 - 5- KEEP OFF AREA FOR SOLDER PASTE AND
SOLDERSTOPMARK FOR DISTANCE PINS
AT HOUSING AND SHIELD
 - 6- ALL HOLES $\phi 0.7$
 - 7- LOWER BAR AREA (SHIELD)

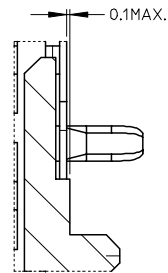
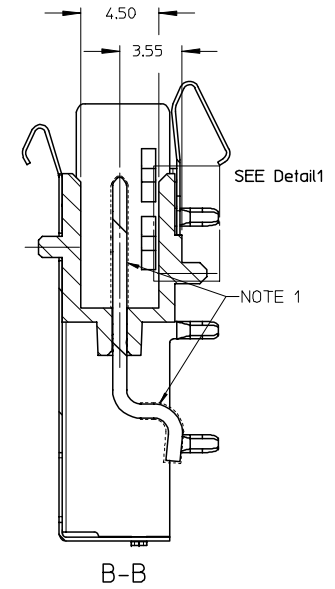
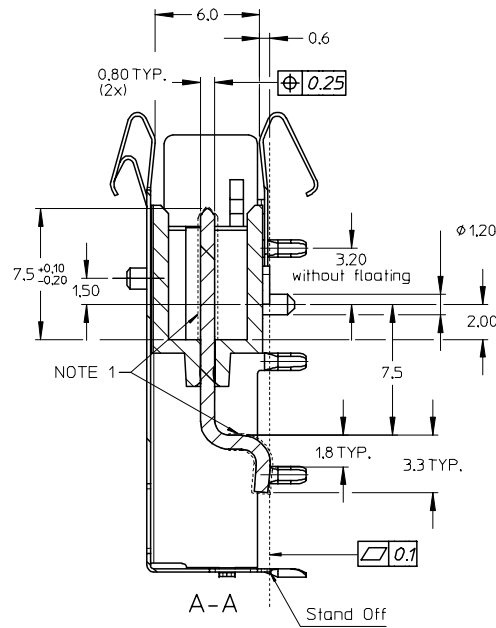
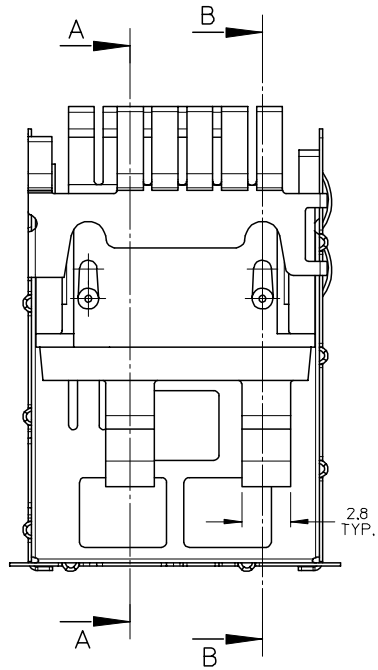
EC NO: MG2005-0367 DRAWN BY: MARTIN 2005/05/03 CHK'D BY: CARABETTA 2005/05/04 APPROV'D BY: KNOLLER 2005/05/13 16	QUALITY SYMBOLS $\nabla=0$ $\nabla=0$	GENERAL TOLERANCES (UNLESS SPECIFIED)		DIMENSION STYLE MM ONLY		SCALE 5:1	DESIGN UNITS METRIC	THIRD ANGLE PROJECTION	
		4 PLACES ± --- ± --- 3 PLACES ± --- ± --- 2 PLACES ± --- ± --- 1 PLACE ± --- ± --- ANGULAR ± --- °	mm INCH	DRAWN BY TMARTIN	DATE 00/03/07	CHECKED BY JK	DATE 00/03/08	EMILY POWER PCB PIN CONNECTOR	
DRAFT WHERE APPLICABLE MUST REMAIN WITHIN DIMENSIONS		MATERIAL NO. 85351-0006		APPROVED BY HK		DATE 00/03/08	MOLEX INCORPORATED		
		SIZE A2		DOCUMENT NO. SD-85351-001		SHEET NO. 2 OF 3		THIS DRAWING CONTAINS INFORMATION THAT IS PROPRIETARY TO MOLEX INCORPORATED AND SHOULD NOT BE USED WITHOUT WRITTEN PERMISSION	

NOTES:

1- PLATING: TIN OVER NICKEL

NICKEL: 1 - 2um

TIN : 3 - 5um TIN



Detail1
SCALE 10:1

EC NO: MG2005-0367 DRWN: TMARTIN 2005/05/03 CHKD: FCARABE 2005/05/04 APPR: KNOLLER 2005/05/13	QUALITY SYMBOLS	GENERAL TOLERANCES (UNLESS SPECIFIED)		SCALE 5:1	DESIGN UNITS METRIC	THIRD ANGLE PROJECTION	REVISE ON CAD ONLY	
	▼ - 0 ∇ C = 0	mm	INCH	DIMENSION STYLE MM ONLY		TITLE		
		4 PLACES	± ---	± ---	DRAWN BY	DATE	EMILY POWER PCB PIN CONNECTOR	
		3 PLACES	± ---	± ---	TMARTIN	00/03/07	MOLEX INCORPORATED	
2 PLACES	± ---	± ---	CHECKED BY	DATE	MATERIAL NO.	DOCUMENT NO.	SHEET NO.	
1 PLACE	± ---	± ---	JK	00/03/08	85351-0006	SD-85351-001	3 OF 3	
DRAFT WHERE APPLICABLE		MUST REMAIN WITHIN DIMENSIONS		APPROVED BY	DATE	THIS DRAWING CONTAINS INFORMATION THAT IS PROPRIETARY TO MOLEX INCORPORATED AND SHOULD NOT BE USED WITHOUT WRITTEN PERMISSION		
16				HK	00/03/08	A2		