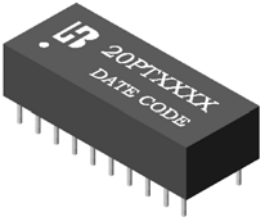


10 BASE TWO PORT PULSE TRANSFORMERS

462 Boston St - Topsfield, MA 01983 - Phone: 978-887-8050 - Fax: 978-887-5434

- 20-PIN DIP package compatible with IEEE 802.3 standard for the new technology “ Filter less ” transceiver chips
- Designed for multipart repeater and switched Ethernet applications utilizing single RJ-45 connectors
- Customer designs available for specific application
- Storage temperature range: -40°C to +100°C .



Electrical Specifications @ 25°C Operating Temperature range: 0°C to +70°C

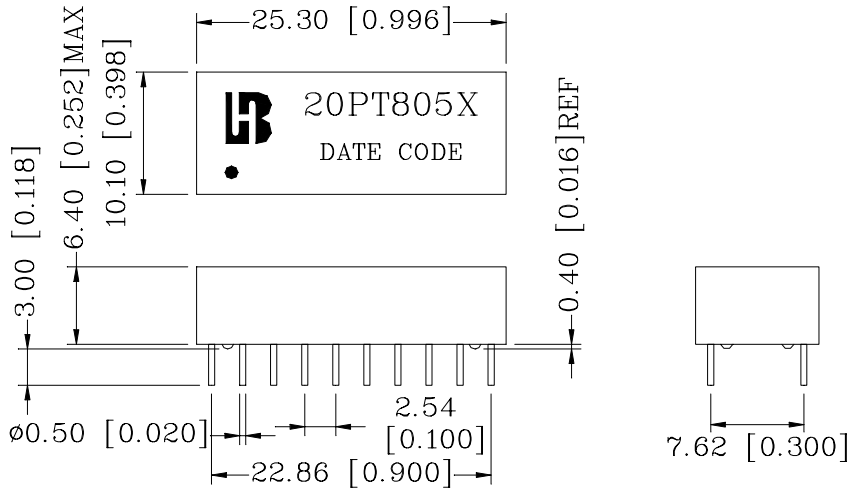
Peak Pulse Rating : 50Volts

Dissipation Rating :75mW

Insulation Resistance : 10,000MΩ

Part Number	Turns Ratio (±5%)		Primary OCL (μ H Min)	L.L TX/RX(μ H Max)	Cw/w (pF Max)	Isolation Voltage (Vrms)	DCR (Ω Max)
	Transmit	Receive					
20PT8052	1CT:1	1CT:1	140	0.35	15	1500	0.3
20PT8053	2CT:1	1CT:1	140	0.8/0.4	15	1500	0.3
20PT8054	1CT:2CT	1:1	200-350	0.3	15	1000	0.8/0.6

Mechanicals



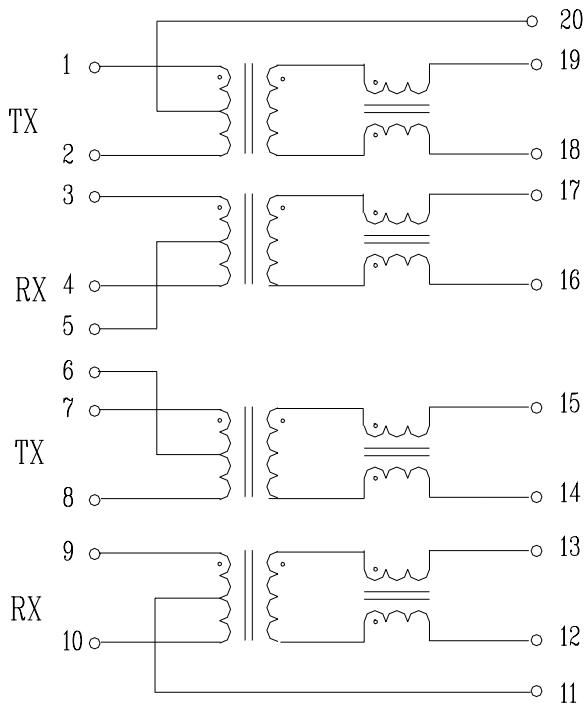
Units: mm[Inches] Tolerances: xx.x0±0.25[0.010]
0.xx±0.05[0.002]

10 BASE TWO PORT PULSE TRANSFORMERS

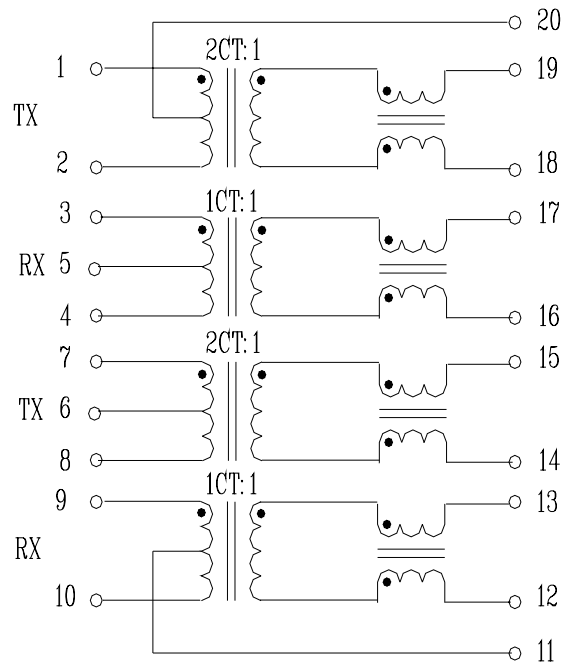
462 Boston St - Topsfield, MA 01983 - Phone: 978-887-8050 - Fax: 978-887-5434

Schematics

20PT8052



20PT8053



20PT8054

