

LED Module Specifications

PRODUCT SPECIFICATION

Model No.: FYLM-1654UXC-04-07-12V-W

Applications:
<ul style="list-style-type: none"> ■ Channel Letters ■ Lighting source for shop windows ■ Indoor Decoration Lighting ■ Advertising Signs ■ Replacement for Neon



CUSTOMER APPROVED SIGNATURES	APPROVED BY	CHECKED BY	PREPARED BY

NINGBO FORYARD OPTOELECTRONICS CO.,LTD.

Add:NO.115 Qixin Road Ningbo Zhejiang China

Zip:315051

Tel: 0086-574-87933652 87927870 87922206

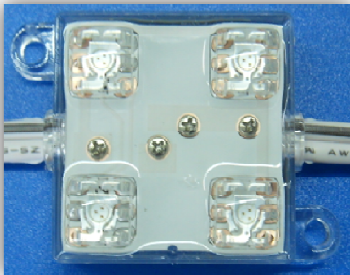
Fax: 0086-574-87927917

E-mail:Sales@foryard.com (General)

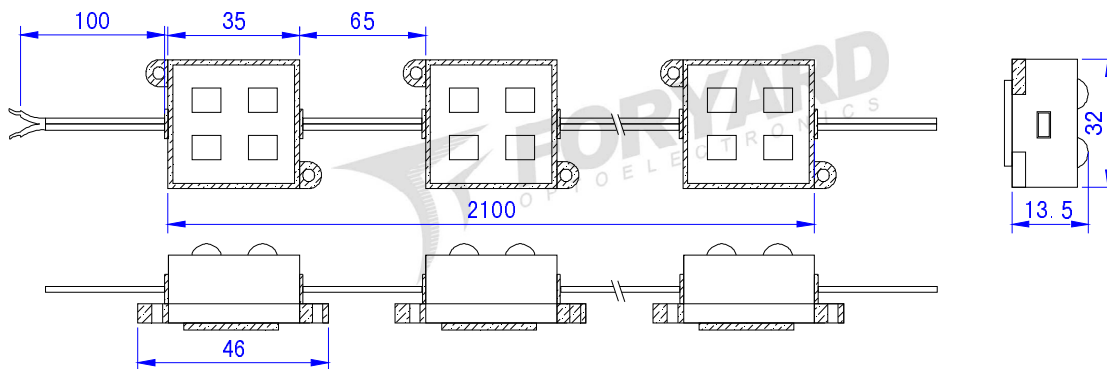
[Http://www.foryard.com](http://www.foryard.com)

Model No.: FYLM-1654UXC-04-07-12V-W

Photo



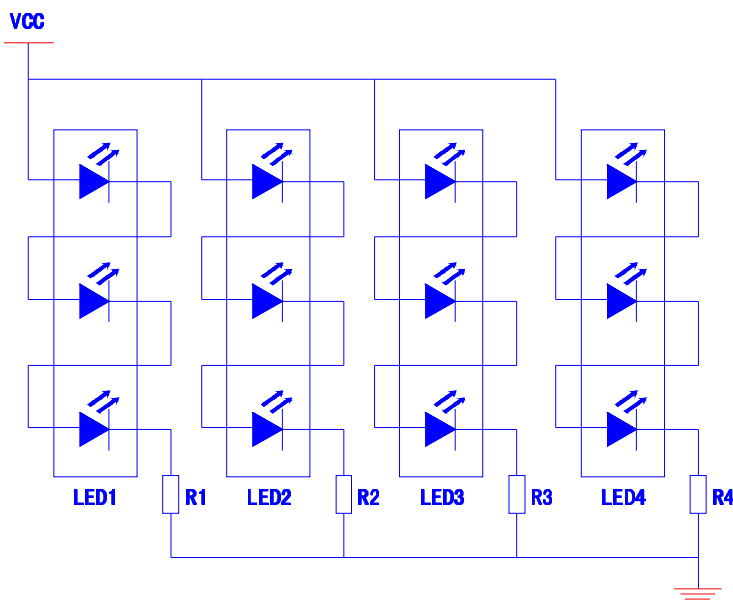
Drawing (1 meter)



Notes:

1. All dimensions are millimeters.
2. Tolerance is ± 1 mm unless otherwise specified.
3. Specifications are subject to change without notice.
4. Dimension: L46*W31*H1.35mm.without prior notice.
5. Can be cut or connected every four LEDs.

Circuit Diagram(a single group)



Model No.: FYLM-1654UXC-04-07-12V-W

■ Rating Electrical/Optical Characteristics(1 PC)

Item	Red	Yellow	Blue	Green	White
Operation Voltage(V)	DC12	DC12	DC12	DC12	DC12
Power Dissipation(V)	0.96	0.96	0.96	0.96	0.96
Input Current(mA)	80	80	80	80	80
Wavelength(nm)	625-635	590-594	465-475	515-525	CCT:5000K-6500K
Single LED Luminous Intensity(MCD)	1000	1000	500	2000	3500
Luminous Flux(lm)	24	24	12	52	68
Angle(°)	120				
Operation Temperature(°C)	-20~60				
single LED Operating Current(mA)	20				
LED Quantity(pcs)	4				
Dimension:(mm)	L46*W31*H13.5				
Life Time(hrs)	50000				
net weight:(g)	15				
Approval	CE (NO: E8 06 01 57489 001)				

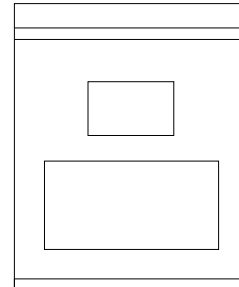
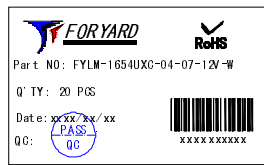
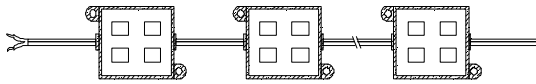
■ Rating Electrical/Optical Characteristics(20 PC)

Item	Red	Yellow	Blue	Green	White
Power Dissipation	19.2W	19.2W	19.2W	19.2W	19.2W
Total Length	1.92m±0.1m	1.92m±0.1m	1.92m±0.1m	1.92m±0.1m	1.92m±0.1m
Input Current(mA)	1200	1200	1200	1200	1200
Weight	300g	300g	300g	300g	300g

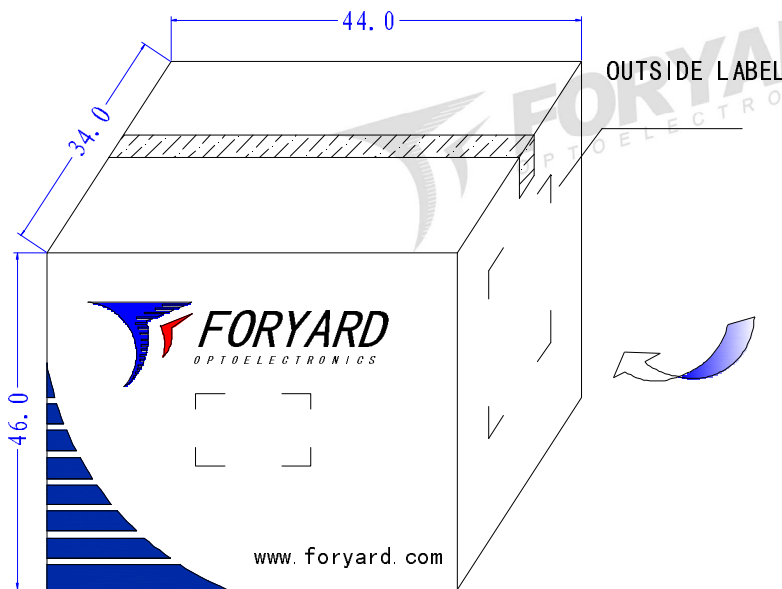
Model No.: FYLM-1654UXC-04-07-12V-W

Package(5 meters)

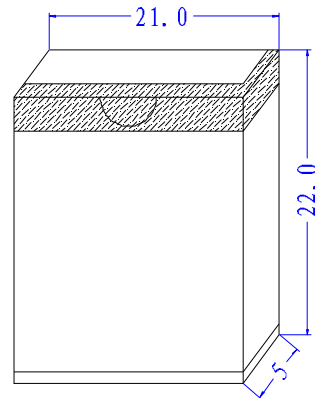
The backsides of all products will stick '3M' branded double-sided sticker with 28mm width.



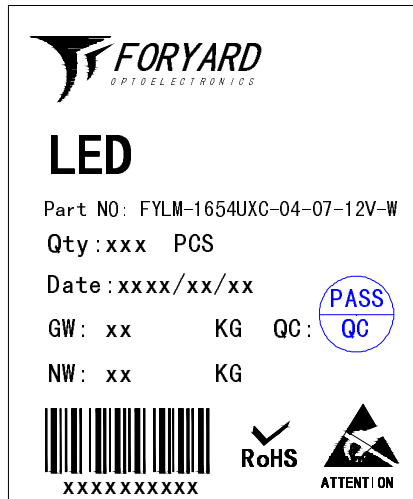
XPCS/Po lybag



24Boxes/Carton



xPo lybags/Box



OUTSIDE LABEL